

**Disconnects**  
**T&B Catalog Number:**

22LF06

**UPC Number:**

78621081865

**Status:**

Active

**Description:**

Insulation Piercing Magnet Wire Female Disconnect, Length .91 Inches, Width .25 Inches, Length of Teeth .45 Inches, Width of Teeth .25 Inches, Tab Size .250 x .032, Wire Range #16 AWG - #12 AWG 2,580 Circular Mil Area - 12,330 Circular Mil Area, Copper Alloy, Tin Plated

**Features**

Designed to penetrate magnet wire insulation during application, eliminating the need for stripping, brazing, welding or other methods of joining magnet wire.

**Application**

For aluminum to copper, aluminum to aluminum or copper to copper magnet wire connections.

**General**

Material	Copper
Finish	Tin Plated
Tab Size	0.250 x 0.032

**Dimension Information**

E* (inches)	.13
A (inches)	.25
B (inches)	.45
C (inches)	.91
D (inches)	.25

**Specifications**

Circular Mil Area	2,580 - 12,330
Rectangular Wire Range Thickness (inches)	.05 - .08
Rectangular Wire Range Width (inches)	.05 - .16
Round Wire Range AWG	12 - 16

**Tooling**

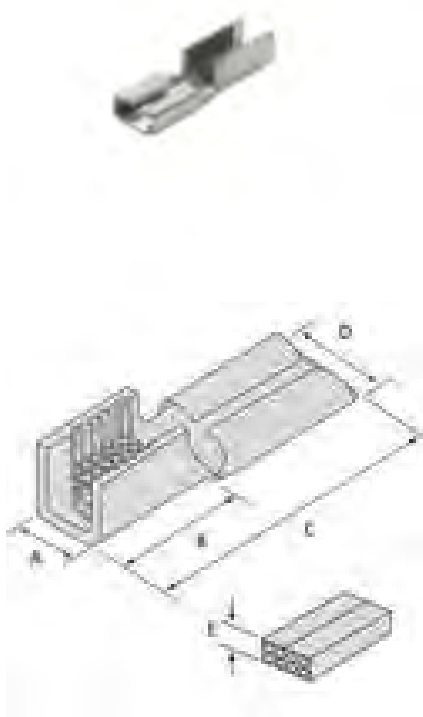
Manual Tooling	ERG4806
Battery Powered Tooling	BAT226
Pneumatic Tooling	BAIR226, PAIR226
Battery/Pneumatic Tooling Die	DIE1806
Connector & Tooling Chart	Available on Website

**Packaging**

T&B Order Multiple	1000
T&B Inner Pack	1000
Package in Units	5000
T&B Sold in UOM	Each
T&B Weight Per UOM	3.75 lbs. per 1000

**Application Support**

Product Selector	DT_prod_selector_disconnects
T&B Instruction Sheets	ta00261-tb2
Overview	Available on Website



## Notes

*Note	Reference dimension (crimped height). See installing die illustration for gauging.
**Note	22 - 24 AWG and equivalent rectangular c.m.a., copper only.  Wire sizes and combinations shown have been tested to and meet or exceed Thomas & Betts specifications. Connectors may be suitable for other wire sizes or combinations. Thomas & Betts sells these connectors with the understanding that the user will perform necessary tests to determine their suitability for the intended purpose.

## Certifications

RoHS Compliance	Yes
-----------------	-----

### For further technical assistance, please contact us...

Thomas & Betts - USA  
8155 T&B Blvd.  
Memphis, TN 38125  
www.tnb.com

T&B Technical Support  
MS 3B-50  
8155 T&B Blvd.  
Memphis, TN 38125

Hours: 7AM - 6PM CDT  
Monday-Friday  
Phone: (888) 862-3289  
Fax: (901) 252-1321  
Email:techsupport@tnb.com