

Ring Terminals T&B Catalog Number:

204210-1H

UPC Number:

78621087819

Status:

Active

Description:

Insulation Piercing Magnet Wire Ring Terminal, Length 1.58 Inches, Width .81 Inches, Length of Teeth .61 Inches, Width of Teeth .53 Inches, Stud Size 1/4 Inch, Wire Range #12 AWG - #4 AWG 20,760 Circular Mil Area - 104,960 Circular Mil Area, Copper Alloy, Tin Plated, with Double Splices

Features

Designed to penetrate magnet wire insulation during application, eliminating the need for stripping, brazing, welding or other methods of joining magnet wire.

Application

For aluminum to copper, aluminum to aluminum or copper to copper magnet wire connections.

General

Material	Copper
Finish	Tin Plated
Stud Size	1/4

Dimension Information

E* (inches)	.47
A (inches)	.53
B (inches)	.61
C (inches)	1.58
D (inches)	.81

Specifications

Circular Mil Area	20,760 - 104,960
Rectangular Wire Range Thickness (inches)	.10 - .16
Rectangular Wire Range Width (inches)	.10 - .26
Round Wire Range AWG	12(b) - 2(c)

Tooling

Hydraulic Tooling	13100A, 13400, 13642M, TBM15I
Connector & Tooling Chart	Available on Website

Packaging

T&B Order Multiple	100
T&B Inner Pack	100
Package in Units	500
T&B Sold in UOM	Each
T&B Weight Per UOM	5.88 lbs. per 100

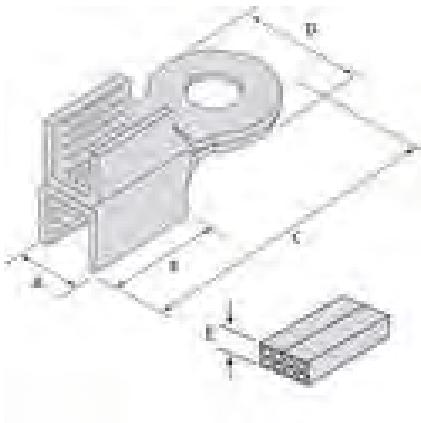
Application Support

Product Selector	DT_prod_selector_ringterm
T&B Instruction Sheets	ta00193-tb2
Overview	Available on Website

Notes

*Note Reference dimension (crimped height). See installing die illustration for gauging.

**Note



Not recommended for aluminum magnet wire finer than 21 gauge or 0.4 mm². (a) Four wires max. (b) Six wires max. (c) Six wires max. each barrel (d) Conductors heavier than 6 AWG or 13 mm² require special dies. Contact Thomas & Betts for assistance. (e) Crimping dies may not bottom. Connector height will depend on number and size of wires in barrel. Pump must deliver 9800 psi minimum.

Wire sizes and combinations shown have been tested to and meet or exceed Thomas & Betts specifications. Connectors may be suitable for other wire sizes or combinations. Thomas & Betts sells these connectors with the understanding that the user will perform necessary tests to determine their suitability for the intended purpose.

Certifications

RoHS Compliance	Yes
-----------------	-----

For further technical assistance, please contact us...

Thomas & Betts - USA
8155 T&B Blvd.
Memphis, TN 38125
www.tnb.com

T&B Technical Support
MS 3B-50
8155 T&B Blvd.
Memphis, TN 38125

Hours: 7AM - 6PM CDT
Monday-Friday
Phone: (888) 862-3289
Fax: (901) 252-1321
Email:techsupport@tnb.com