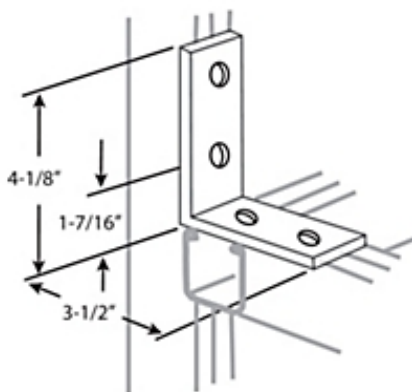




Representative



Line Art

Catalog Number: AB205
Product ID: 7TAA005110R0019
UPC Number: 61601325903
Status: A

Fitting, 90 Degree, Height 4-1/8 Inches, Base Length 3-1/2 Inches, Hole Diameter 9/16 Inches, Steel

- Excellent corrosion resistance

North American Specifications (UNSPSC)

UNSPSC	30101504 Steel angles
IGCC	2151 Steel angles
Type	90 degree Angle Fittings
Special Features	Excellent corrosion resistance
Application	For use in metal framing applications
Length	3-1/2 in
Material Composition	Steel
Finish	GoldGalv/Standard

European Specifications (ETIM)

ETIM	EC000483 Coupler for support/profile rail
Suitable for	U-profile
Model	Angle
With screw accessories	N
Material	Steel
Material quality	Other

Packaging

Outer Quantity	25
Outer Dimensions (inches)	10.5x7.4x5.7
Weight Uom	74.5 lbs. per 100

Documents / Support Tools

Technical Drawing / Data Sheet US Available on Website

For further technical assistance, please contact us...

ABB Installation Products - USA
 860 Ridge Lake Blvd.
 Memphis, TN 38120
 www.tnb.com

ABB Installation Products Technical Support
 MS 3B-50
 860 Ridge Lake Blvd.
 Memphis, TN 38120

Hours: 7AM - 6PM CDT
 Monday-Friday
 Phone: (888) 862-3289
 Fax: (901) 252-1321
 Email: techsupport@tnb.com