

1SNG626165R0000 ✓ ACTIVE

ENTRELEC

TE Internal #: 1SNG626165R0000

Cable Gland, Standard Threaded, PA 6, 10 – 14.2 mm Clamping Range, Black, IP68

[View on TE.com >](#)



Wire Protection & Management > Cable Glands > Plastic Cable Glands With Locknut



Cable Gland Product Type: **Cable Gland**

Cable Gland & Accessory Style: **Standard Threaded**

Primary Product Material: **PA 6**

Clamping Diameter Range: **10 – 14.2 mm**

Outer Thread Type: **PG**

[All Plastic Cable Glands With Locknut \(177\)](#)

Features

Product Type Features

| | |
|-------------------------------|-------------------|
| Cable Gland Product Type | Cable Gland |
| Cable Gland & Accessory Style | Standard Threaded |
| Sealable | Yes |

Body Features

| | |
|--------------------------|-------|
| Primary Product Material | PA 6 |
| Primary Product Color | Black |

Dimensions

| | |
|-------------------------|-----------------|
| Clamping Diameter Range | 10 – 14.2 mm |
| Outer Thread Size | PG16 |
| Thread Length | 10 mm [.393 in] |

Usage Conditions

| | |
|-----------------------------|----------------------------|
| Operating Temperature Range | -20 – 100 °C [-4 – 212 °F] |
|-----------------------------|----------------------------|

Industry Standards



| | |
|------------------------|----------|
| UL Flammability Rating | UL 94V-2 |
| Outer Thread Type | PG |
| IP Rating | IP68 |

Packaging Features

| | |
|------------------|-----|
| Packaging Method | Bag |
|------------------|-----|

Product Compliance

[For compliance documentation, visit the product page on TE.com>](#)

| | |
|---|---|
| EU RoHS Directive 2011/65/EU | Compliant |
| EU ELV Directive 2000/53/EC | Compliant |
| China RoHS 2 Directive MIIT Order No 32, 2016 | 有害物质含量符合标准要求 No Restricted Substance(s) Above Threshold |
| EU REACH Regulation (EC) No. 1907/2006 | Current ECHA Candidate List: JUNE 2025 (250) Candidate List Declared Against: JUNE 2025 (250) Does not contain REACH SVHC |
| Halogen Content | Not Yet Reviewed for halogen content |
| Solder Process Capability | Not reviewed for solder process capability |

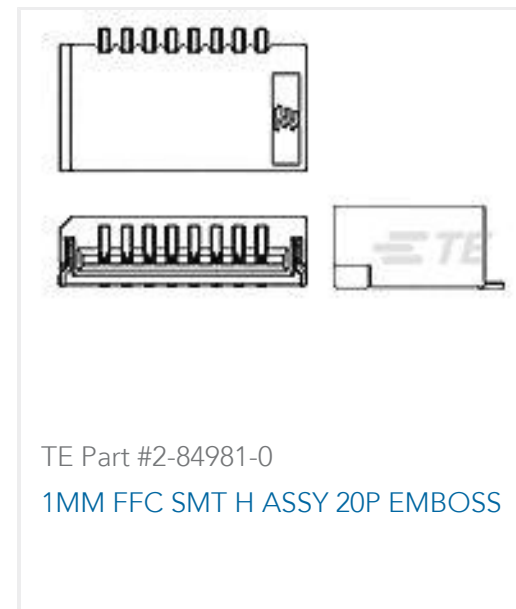
Product Compliance Disclaimer

This information is provided based on reasonable inquiry of our suppliers and represents our current actual knowledge based on the information they provided. This information is subject to change. The part numbers that TE has identified as EU RoHS compliant have a maximum concentration of 0.1% by weight in homogenous materials for lead, hexavalent chromium, mercury, PBB, PBDE, DBP, BBP, DEHP, DIBP, and 0.01% for cadmium, or qualify for an exemption to these limits as defined in the Annexes of Directive 2011/65/EU (RoHS2). Finished electrical and electronic equipment products will be CE marked as required by Directive 2011/65/EU. Components may not be CE marked. Additionally, the part numbers that TE has identified as EU ELV compliant have a maximum concentration of 0.1% by weight in homogenous materials for lead, hexavalent chromium, and mercury, and 0.01% for cadmium, or qualify for an exemption to these limits as defined in the Annexes of Directive 2000/53/EC (ELV). Regarding the REACH Regulation, the information TE provides on SVHC in articles for this part number is based on the latest European Chemicals Agency (ECHA) 'Guidance on requirements for substances in articles' posted at this URL: <https://echa.europa.eu/guidance-documents/guidance-on-reach>

Compatible Parts



Customers Also Bought



Documents

Product Drawings

[EP-SGL-PG16-BL-B](#)

English

CAD Files

[3D PDF](#)

3D

Customer View Model

[ENG_CVM_CVM_1SNG626165R0000_A.2d_dxf.zip](#)



English

Customer View Model

[ENG_CVM_CVM_1SNG626165R0000_A.3d_igs.zip](#)

English

Customer View Model

[ENG_CVM_CVM_1SNG626165R0000_A.3d_stp.zip](#)

English

By downloading the CAD file I accept and agree to the [Terms and Conditions](#) of use.

Datasheets & Catalog Pages

[Catalog - ENTRELEC Cable Glands](#)

English

Agency Approvals

[CE Declaration of Conformity](#)

English