

1SNA400766R1500 ✓ ACTIVE

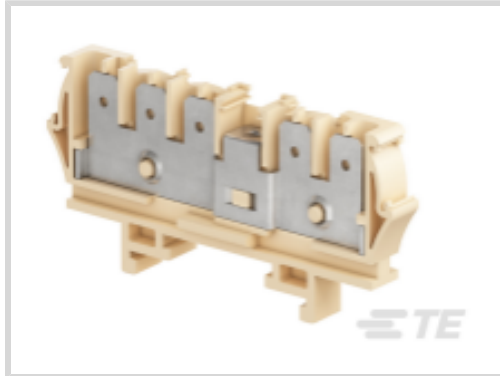
TE Internal #: 1SNA400766R1500

Quick-Connect Terminal Block, Feed-Through, Beige, 7 mm [.275 in] Spacing, 5 Position, Quick Connect, DIN Rail, 320 VAC, 10 AWG, 6 mm² Wire

[View on TE.com >](#)



Connectors > Terminal Blocks & Strips > Modular Terminal Blocks



Block Function: **Feed-Through**

Modular Terminal Block Product Type: **Quick-Connect Terminal Block**

Primary Product Color: **Beige**

Product Spacing: **7 mm [.275 in]**

Number of Positions: **5**

Features

Product Type Features

Modular Terminal Block Product Type	Quick-Connect Terminal Block
-------------------------------------	------------------------------

Configuration Features

Number of Levels	1
Number of Circuits	1
Block Function	Feed-Through
Number of Positions	5

Electrical Characteristics

Current Rating (NFC)	25 A
Voltage Rating (DIN)	320 VAC
Voltage Rating (NF F 61-017)	320 VAC
Voltage Rating (NFC)	320 VAC
Current Rating (NF F 61-017)	20 A
Current Rating (DIN)	25 A
Operating Voltage	320 VAC

Body Features

Product Weight	11 g [.388 oz]
Primary Product Color	Beige

Contact Features



Contact Current Rating (Max)	25 A
------------------------------	------

Termination Features

Termination Method to Wire & Cable	Quick Connect
------------------------------------	---------------

Mechanical Attachment

DIN Rail Mounting Type	TH35-15, TH35-7.5, Type 2
------------------------	---------------------------

Connector Mounting Type	DIN Rail
-------------------------	----------

Housing Features

Housing Material	Polyamide
------------------	-----------

Dimensions

Wire Size (DIN)	6 mm ²
-----------------	-------------------

Wire Size (NFC)	6 mm ²
-----------------	-------------------

Product Width	7 mm[.275 in]
---------------	---------------

Product Depth	29.5 mm[1.161 in]
---------------	-------------------

Product Length	29.5 mm[1.161 in]
----------------	-------------------

Product Height	69.5 mm[2.736 in]
----------------	-------------------

Product Spacing	7 mm[.275 in]
-----------------	---------------

Wire Size	10 AWG
-----------	--------

Usage Conditions

Operating Temperature Range	-55 – 110 °C[-67 – 230 °F]
-----------------------------	----------------------------

Product Compliance

[For compliance documentation, visit the product page on TE.com>](#)

EU RoHS Directive 2011/65/EU	Compliant
------------------------------	-----------

EU ELV Directive 2000/53/EC	Compliant
-----------------------------	-----------

China RoHS 2 Directive MIIT Order No 32, 2016	No Restricted Materials Above Threshold
---	---

EU REACH Regulation (EC) No. 1907/2006	Current ECHA Candidate List: JAN 2025 (247) Candidate List Declared Against: JAN 2025 (247) Does not contain REACH SVHC
--	---

Halogen Content	Low Halogen - Br, Cl, F, I < 900 ppm per homogenous material. Also BFR/CFR/PVC Free
-----------------	---

Solder Process Capability	Not reviewed for solder process capability
---------------------------	--



Product Compliance Disclaimer

This information is provided based on reasonable inquiry of our suppliers and represents our current actual knowledge based on the information they provided. This information is subject to change. The part numbers that TE has identified as EU RoHS compliant have a maximum concentration of 0.1% by weight in homogenous materials for lead, hexavalent chromium, mercury, PBB, PBDE, DBP, BBP, DEHP, DIBP, and 0.01% for cadmium, or qualify for an exemption to these limits as defined in the Annexes of Directive 2011/65/EU (RoHS2). Finished electrical and electronic equipment products will be CE marked as required by Directive 2011/65/EU. Components may not be CE marked. Additionally, the part numbers that TE has identified as EU ELV compliant have a maximum concentration of 0.1% by weight in homogenous materials for lead, hexavalent chromium, and mercury, and 0.01% for cadmium, or qualify for an exemption to these limits as defined in the Annexes of Directive 2000/53/EC (ELV). Regarding the REACH Regulation, the information TE provides on SVHC in articles for this part number is based on the latest European Chemicals Agency (ECHA) 'Guidance on requirements for substances in articles' posted at this URL: <https://echa.europa.eu/guidance-documents/guidance-on-reach>

Compatible Parts

TE Part # 1SNA168486R2000
BZH7-2

TE Part # 1SNA168490R0000
BJH7-10

TE Part # 1SNK900001R0000
BAM4

TE Part # 1SNA199400R0600
FEHD1-BE

TE Part # 1SNA233000R0100
RC610

TE Part # 1SNA167735R2700
VSJ6

TE Part # 1SNA168487R2100
BJH7-3

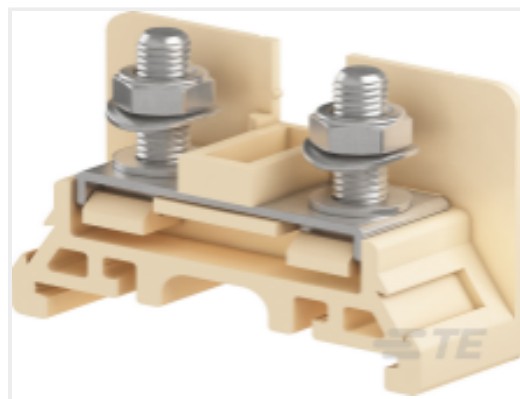
TE Part # 1SNA173241R0600
RDJ6

TE Part # 1SNA168355R1300
BAH24

Customers Also Bought



TE Part #1SNA399964R0600
HD6/24.DH



TE Part #1SNA295014R1100
HD6/13.FF4



TE Part #5260020006
TC-CAPS-4003-2



TE Part #1SNA400782R0000
HD6/22.F12G



TE Part #1SNA163350R1500
PRH2R



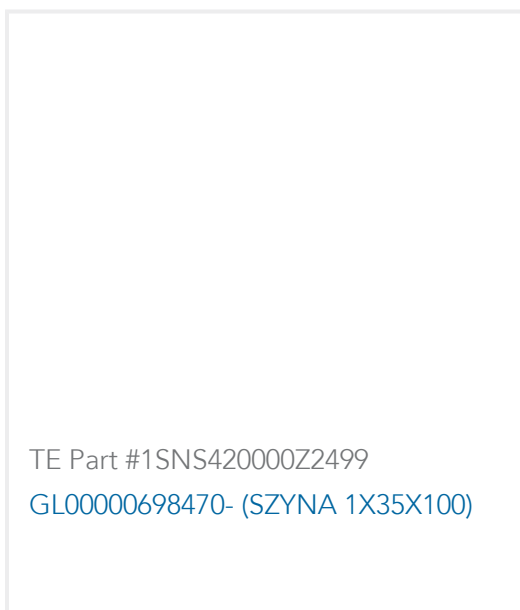
TE Part #5039314011
DR-25-2-0-SP



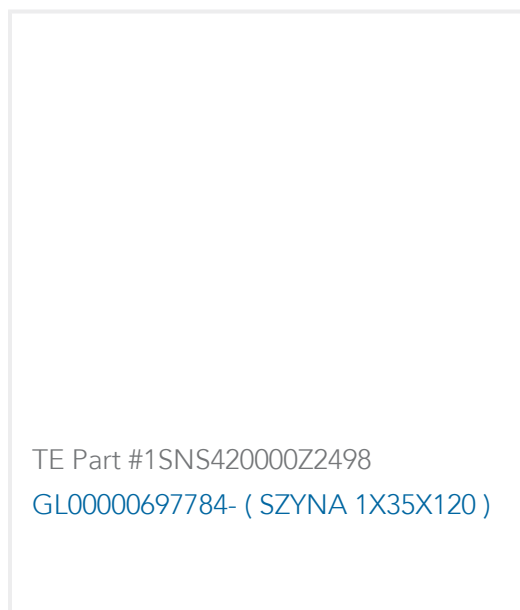
TE Part #588371-000
D-SCE-5K-3.2-50-S1-4



TE Part #182926-1
CPC PLUG ASSY SIZE 23-37



TE Part #1SNS420000Z2499
GL00000698470- (SZYNA 1X35X100)



TE Part #1SNS420000Z2498
GL00000697784- (SZYNA 1X35X120)

Documents

Product Drawings

[HD 6/7.5G](#)

English

CAD Files

[3D PDF](#)

3D

Customer View Model

[ENG_CVM_CVM_1SNA400766R1500_A1.2d_dxf.zip](#)

English

Customer View Model

[ENG_CVM_CVM_1SNA400766R1500_A1.3d_igs.zip](#)

English

Customer View Model

[ENG_CVM_CVM_1SNA400766R1500_A1.3d_stp.zip](#)

English

By downloading the CAD file I accept and agree to the [Terms and Conditions](#) of use.

Datasheets & Catalog Pages

1SNA400766R1500

Quick-Connect Terminal Block, Feed-Through, Beige, 7 mm [.275 in] Spacing, 5 Position, Quick Connect, DIN Rail, 320 VAC, 10 AWG, 6 mm² Wire



[HD 6/7.5G](#)

English

[ENTRELEC Terminal Block - Master Catalog](#)

[ENTRELEC Terminal Block - Master Catalog](#)

English