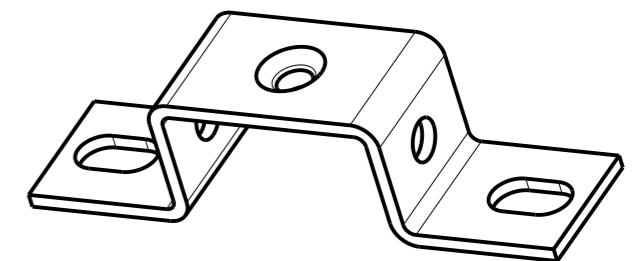
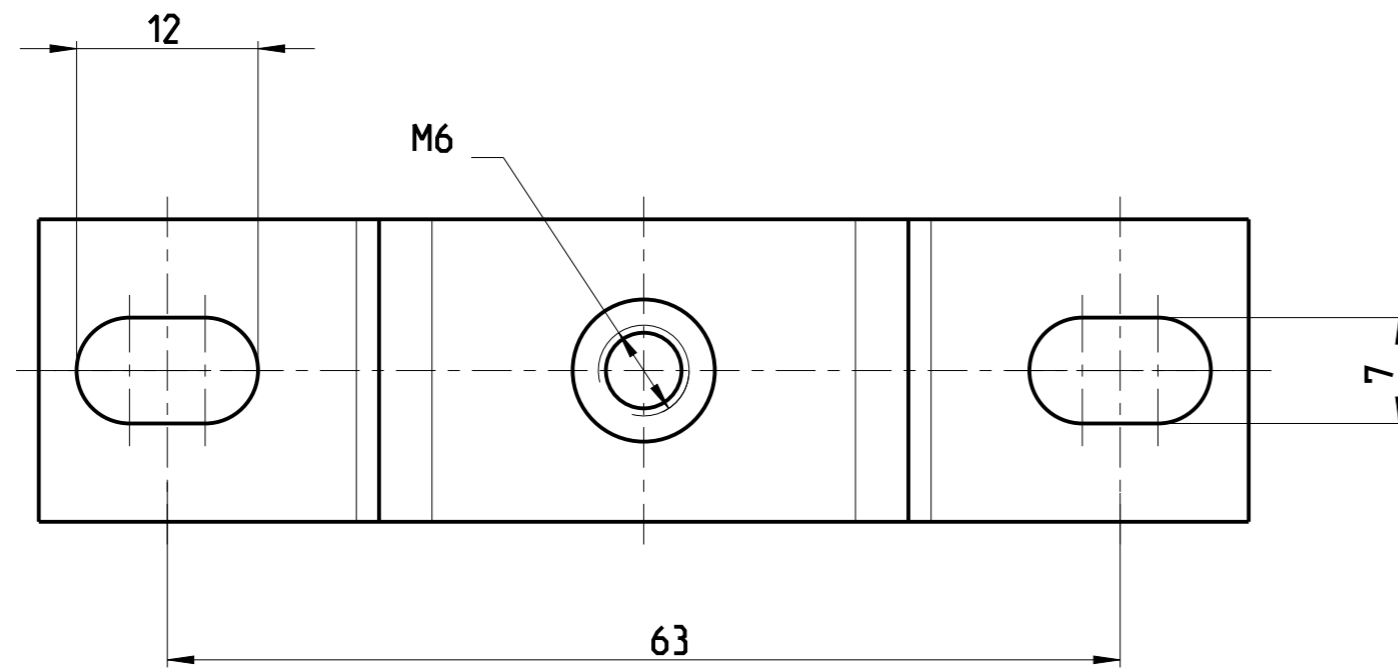
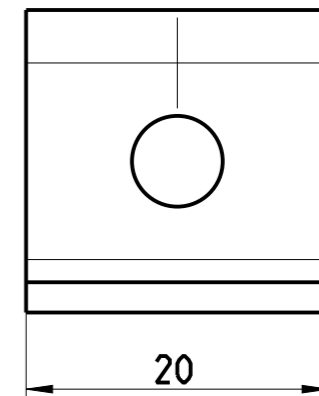
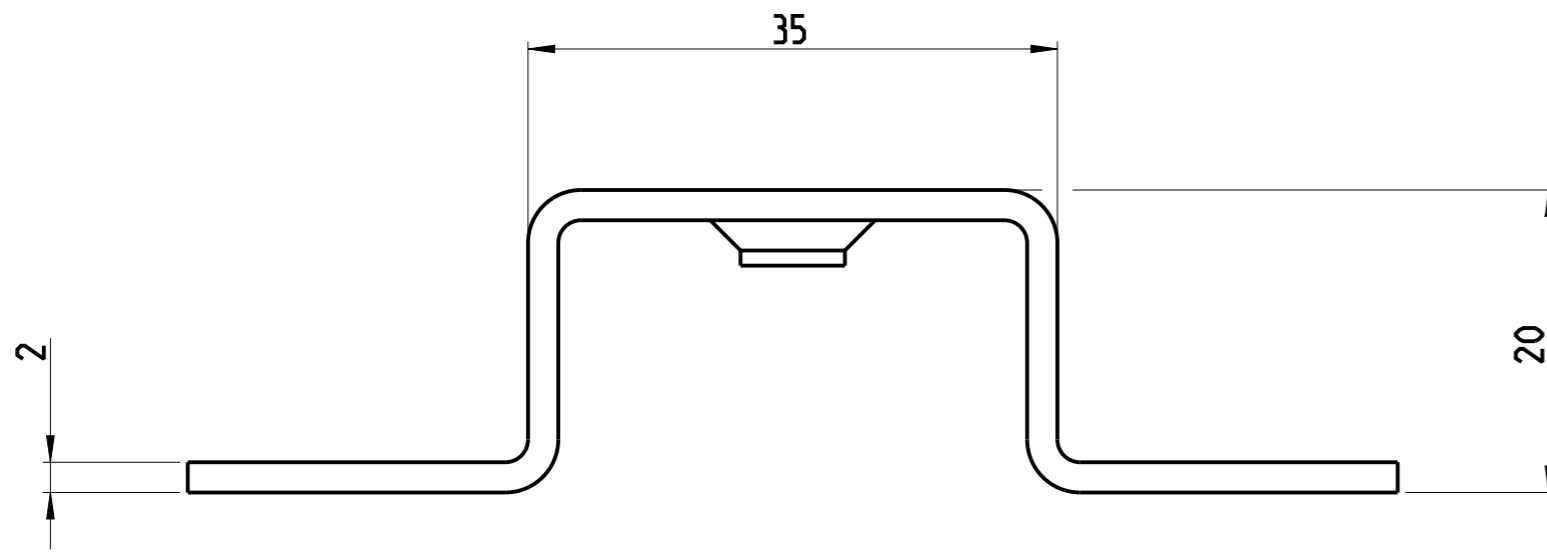


REVISIONS

P	LTR	DESCRIPTION	DATE	DWN	APVD
A		First Released	01FEB2021	HG	VR



SCALE 1:1

-	-	1SNA150048R0000
FINISH	MATERIAL	PART NO.

THIS DRAWING IS A CONTROLLED DOCUMENT.

DIMENSIONS:		TOLERANCES UNLESS OTHERWISE SPECIFIED:	
mm			
	0 PLC	±	
	1 PLC	±0.1	
	2 PLC	±0.01	
	3 PLC	±0.005	
	4 PLC	±0.0001	
MATERIAL		FINISH	
-		-	

DWN	Girish N H	2021
CHK	-	-
APVD	-	-
PRODUCT SPEC	-	-
APPLICATION SPEC	-	-
WEIGHT	-	-
CUSTOMER DRAWING		

TE		TE Connectivity	
NAME THB20-P6			
SIZE	CAGE CODE	DRAWING NO	RESTRICTED TO
A3	00779	C-1SNP201561-0100	
SCALE 5:1		SHEET 1 OF 1	REV A