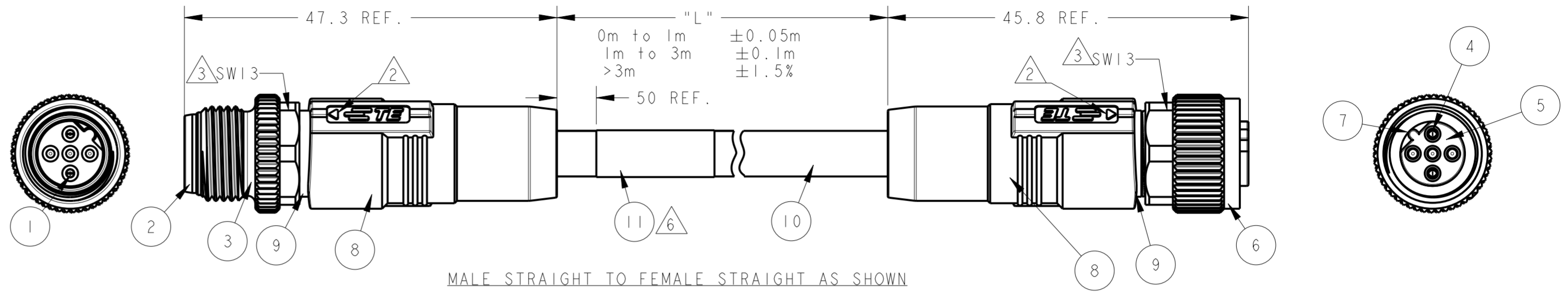


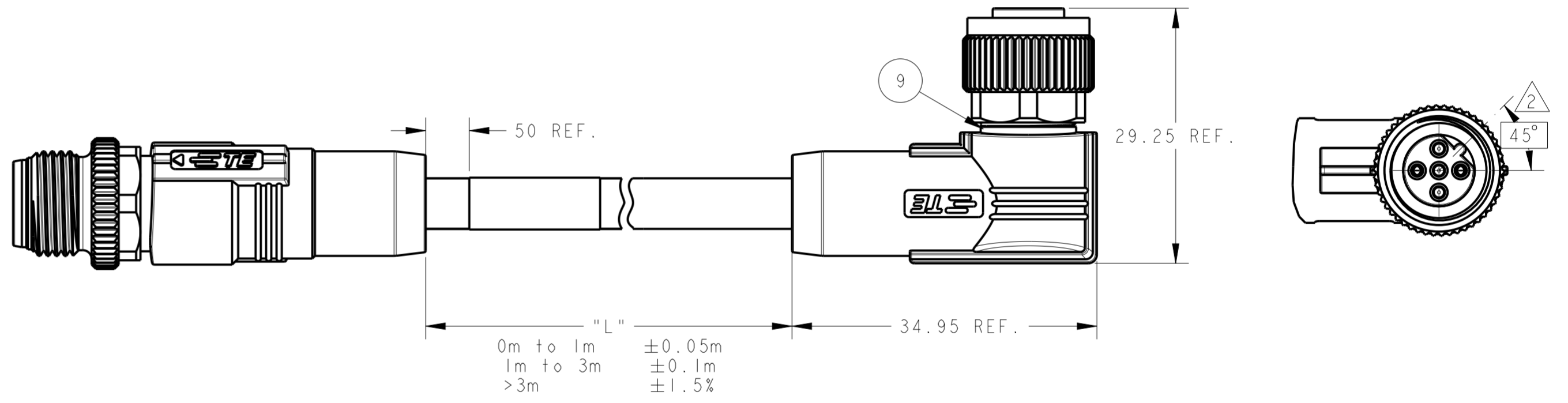
THIS DRAWING IS UNPUBLISHED. RELEASED FOR PUBLICATION 20
 © COPYRIGHT 20 BY - ALL RIGHTS RESERVED.

REVISIONS				
P	LTR	DESCRIPTION	DATE	APVD
A		INITIAL RELEASE	08JUN2021	BP CW

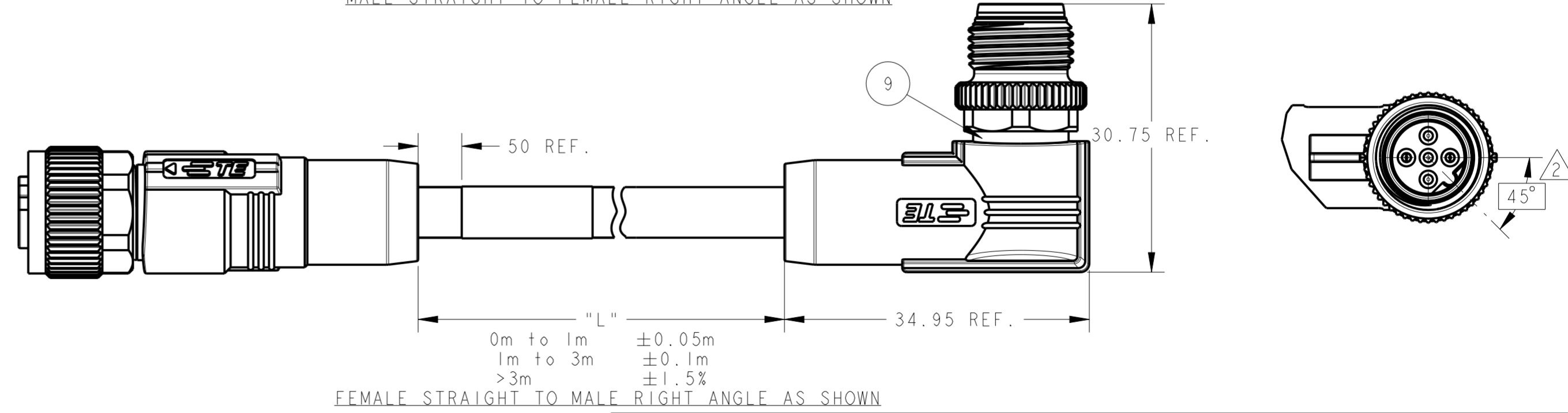
ITEM	DESCRIPTION	MATERIAL	OTHERS
1	MALE CONTACT	COPPER ALLOY	GOLD PLATED
2	MALE HOUSING	NYLON	BLACK
3	MALE NUT	COPPER ALLOY	NICKEL PLATED
4	FEMALE CONTACT	COPPER ALLOY	GOLD PLATED
5	FEMALE HOUSING	NYLON	BLACK
6	FEMALE NUT	COPPER ALLOY	NICKEL PLATED
7	O-RING	SILICONE	GRAY
8	OVER-MOLDING	TPU	BLACK
9	SHIELDED SHELL	COPPER ALLOY	NICKEL PLATED
10	CABLE	PUR	VIOLET
11	LABEL	-	-



MALE STRAIGHT TO FEMALE STRAIGHT AS SHOWN



MALE STRAIGHT TO FEMALE RIGHT ANGLE AS SHOWN

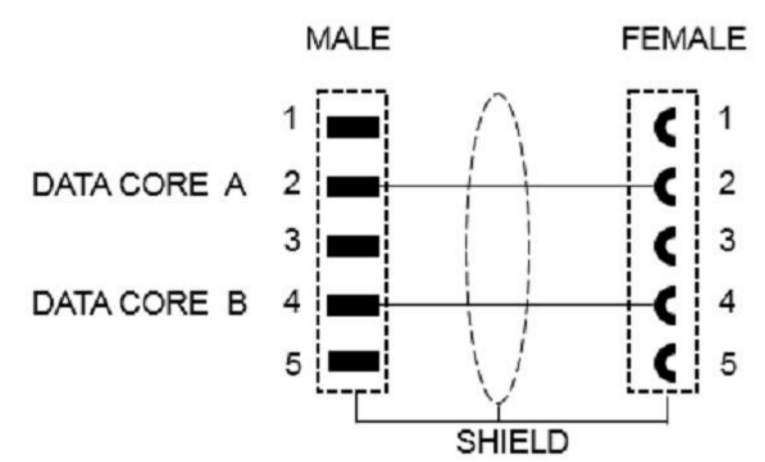


FEMALE STRAIGHT TO MALE RIGHT ANGLE AS SHOWN

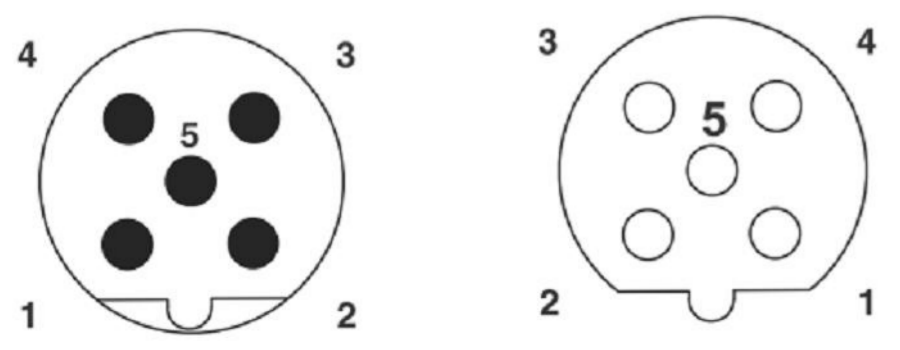
CIRCUIT DIAGRAM B-CODE

PIN 2 DATE CORE A GREEN
 PIN 4 DATE CORE B RED

CIRCUIT DIAGRAM



MALE FEMALE



THIS DRAWING IS A CONTROLLED DOCUMENT.

DIMENSIONS:	TOLERANCES UNLESS OTHERWISE SPECIFIED:
mm	0 PLC ±
	1 PLC ±
	2 PLC ±
	3 PLC ±
	4 PLC ±
	ANGLES ±
	FINISH ±

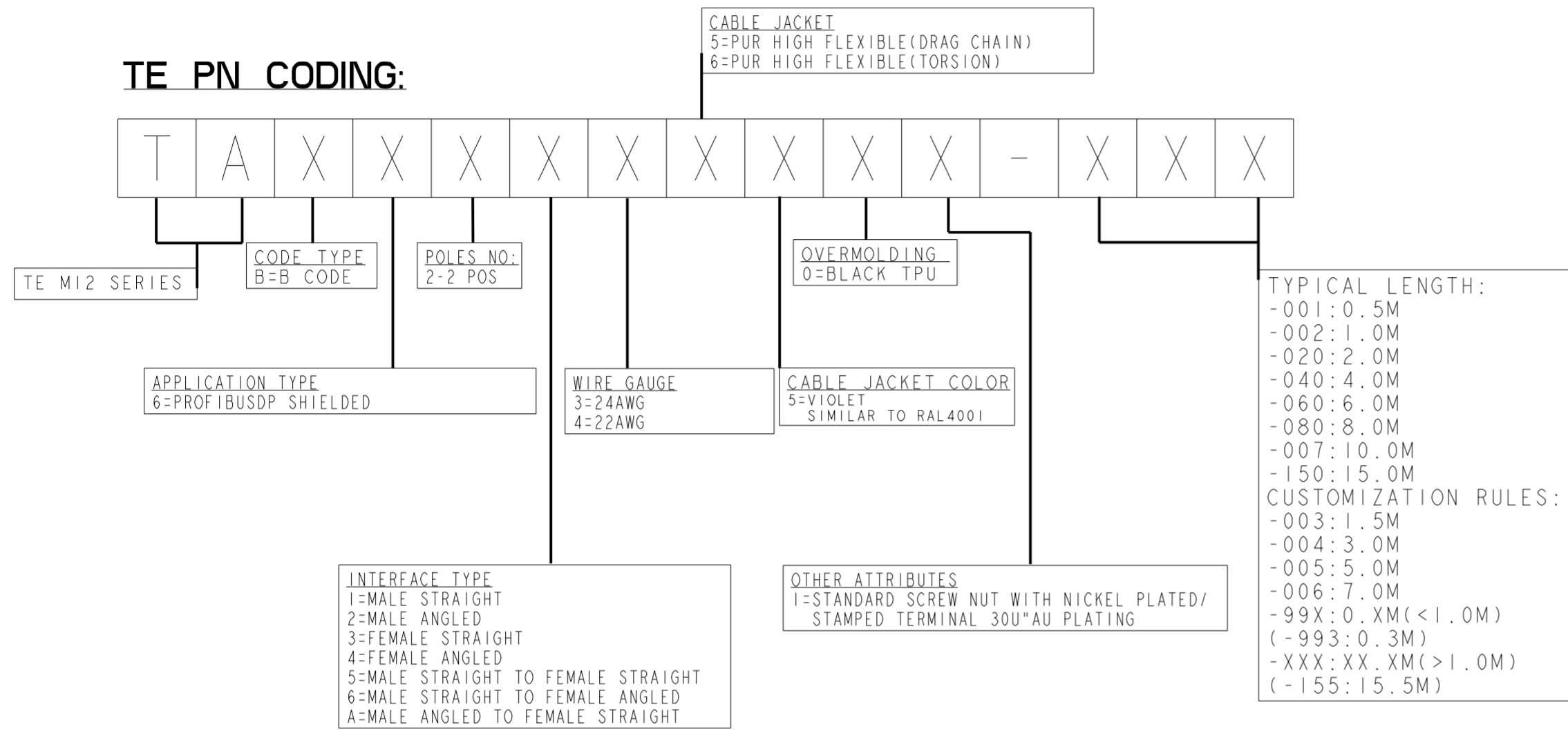
DWN	08JUN2021
CHK	BLAZE PENG
APVD	08JUN2021
	KEVIN HUANG
	CHRIS WANG
PRODUCT SPEC	108-106140
APPLICATION SPEC	114-137144
WEIGHT	-
RESTRICTED CUSTOMER	

ENTRELEC Electrical Solutions			
NAME		M12 B CODE CABLE ASSY, SHIELDED 2P, MALE TO FEMALE	
SIZE	CAGE CODE	DRAWING NO	RESTRICTED TO
A2	-	G-ISET311A10R000	
SCALE	2:1	SHEET	1 OF 2
		REV	A

THIS DRAWING IS UNPUBLISHED. RELEASED FOR PUBLICATION 20
 © COPYRIGHT 20 BY - ALL RIGHTS RESERVED.

REVISIONS				
P	LTR	DESCRIPTION	DATE	APVD
-	-	SEE SHEET 1	-	-

TE PN CODING:



MI2B2-MS-FS-PUR-0.5M	TAB62535501-001	ISET315238R0000
MI2B2-MS-FS-PUR-1.0M	TAB62535501-002	ISET315239R0000
MI2B2-MS-FS-PUR-2.0M	TAB62535501-020	ISET315241R0000
MI2B2-MS-FS-PUR-4.0M	TAB62535501-040	ISET315242R0000
MI2B2-MS-FS-PUR TORSION-0.5M	TAB62546501-001	ISET315246R0000
MI2B2-MS-FS-PUR TORSION-1.0M	TAB62546501-002	ISET315247R0000
MI2B2-MS-FS-PUR TORSION-2.0M	TAB62546501-020	ISET315249R0000
MI2B2-MS-FS-PUR TORSION-4.0M	TAB62546501-040	ISET315250R0000
MI2B2-MS-FR-PUR-0.5M	TAB62635501-001	ISET315254R0000
MI2B2-MS-FR-PUR-1.0M	TAB62635501-002	ISET315255R0000
MI2B2-MS-FR-PUR-2.0M	TAB62635501-020	ISET315257R0000
MI2B2-MS-FR-PUR-4.0M	TAB62635501-040	ISET315258R0000
MI2B2-MS-FR-PUR TORSION-0.5M	TAB62646501-001	ISET315262R0000
MI2B2-MS-FR-PUR TORSION-1.0M	TAB62646501-002	ISET315263R0000
MI2B2-MS-FR-PUR TORSION-2.0M	TAB62646501-020	ISET315265R0000
MI2B2-MS-FR-PUR TORSION-4.0M	TAB62646501-040	ISET315266R0000
MI2B2-MR-FS-PUR-0.5M	TAB62A35501-001	ISET315270R0000
MI2B2-MR-FS-PUR-1.0M	TAB62A35501-002	ISET315271R0000
MI2B2-MR-FS-PUR-2.0M	TAB62A35501-020	ISET315273R0000
MI2B2-MR-FS-PUR-4.0M	TAB62A35501-040	ISET315274R0000
MI2B2-MR-FS-PUR TORSION-0.5M	TAB62A46501-001	ISET315278R0000
MI2B2-MR-FS-PUR TORSION-1.0M	TAB62A46501-002	ISET315279R0000
MI2B2-MR-FS-PUR TORSION-2.0M	TAB62A46501-020	ISET315281R0000
MI2B2-MR-FS-PUR TORSION-4.0M	TAB62A46501-040	ISET315282R0000
DESCRIPTION	TE PN	ENTRELEC PN

- NOTE:**
1. TECHNICAL DATA SEE TABLE I
 2. CODE POSITION INDICATOR
 3. RECOMMENDED TORQUE 0.6 Nm
 4. -** : CABLE LENGTH, FOR EXAMPLE: -0.5M
 5. CABLE ASSEMBLY TO BE PACKAGED IN POLYBAGS
 6. LABEL CONTAINS: PN, DATE CODE...

- 注释:**
1. 技术参数参考表 I
 2. CODE 位置指示
 3. 推荐扭矩 0.6 Nm
 4. -** : 线缆长度, 例如: -0.5M
 5. 线缆组件塑料袋包装
 6. 标签包含: 产品编号, 日期代码...

WIRES: 22AWG WIRE COLOR: RED AND GREEN OD: APPROX. 8.0MM TEMPERATURE RATING: 80°C UL OPERATION TEMP RATING: -25°C To +75°C APPLICATIONS: FLEXIBLE, SUITABLE FOR ±180° TORSION APPLICATION, 5 MILLION CYCLES FOR 1M LENGTH WIRES: 24AWG WIRE COLOR: RED AND GREEN OD: APPROX. 7.8MM TEMPERATURE RATING: 80°C UL OPERATION TEMP RATING: -40°C To +80°C APPLICATIONS: FLEXIBLE, SUITABLE FOR DRAG CHAIN, MIN. 1 MILLION CYCLES, DIAMETER 75MM, SPEED 2m/s, ACCELERATION 2m/s ²	TYPICAL LENGTH: -001: 0.5M -002: 1.0M -020: 2.0M -040: 4.0M -060: 6.0M -080: 8.0M -007: 10.0M -150: 15.0M CUSTOMIZATION RULES: -003: 1.5M -004: 3.0M -005: 5.0M -006: 7.0M -99X: 0.XM(<1.0M) (-993: 0.3M) -XXX: XX.XM(>1.0M) (-155: 15.5M)	VIOLET	PUR	MI2B2-MR-FS-PUR TORSION-**4	2	TAB62A46501-XXX
				MI2B2-MS-FR-PUR TORSION-**4		TAB62646501-XXX
				MI2B2-MS-FS-PUR TORSION-**4		TAB62546501-XXX
				MI2B2-MR-FS-PUR-**4		TAB62A35501-XXX
				MI2B2-MS-FR-PUR-**4		TAB62635501-XXX
				MI2B2-MS-FS-PUR-**4		TAB62535501-XXX
CABLE CHARACTERISTIC	LENGTH "L"	JACKET COLOR	JACKET MATERIAL	TYPE	POS.	TABLE 2 TE PN

TECHNICAL DATA	
RATED VOLTAGE	250V
RATED IMPULSE VOLTAGE	2500V
RATED CURRENT	4A
POLLUTION DEGREE	3
OVERVOLTAGE CATEGORY	II
MATERIAL GROUP	II
DEGREE OF PROTECTION	IP67

THIS DRAWING IS A CONTROLLED DOCUMENT.

DWN: BLAZE PENG 08 JUN 2021
 CHK: KEVIN HUANG 08 JUN 2021
 APVD: CHRIS WANG 08 JUN 2021

ENTRELEC
 Electrical Solutions

NAME: MI2 B CODE CABLE ASSY, SHIELDED 2P, MALE TO FEMALE

PRODUCT SPEC: 108-106140
 APPLICATION SPEC: 114-137144

SIZE: A2 CAGE CODE: - DRAWING NO: ISET311A10R0000 RESTRICTED TO

RESTRICTED CUSTOMER SCALE: 1:1 SHEET 2 OF 2 REV A