

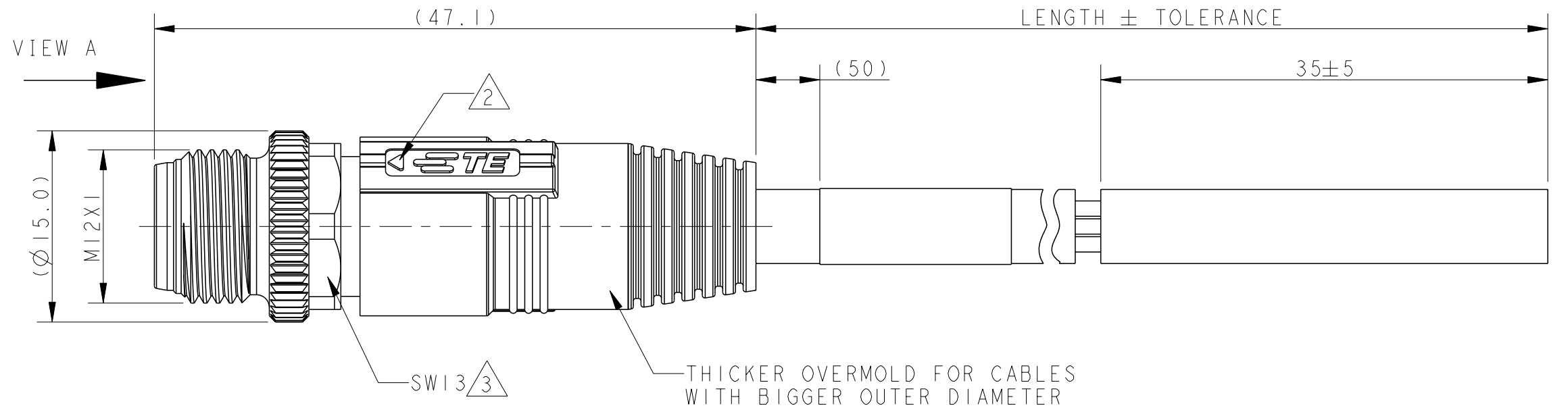
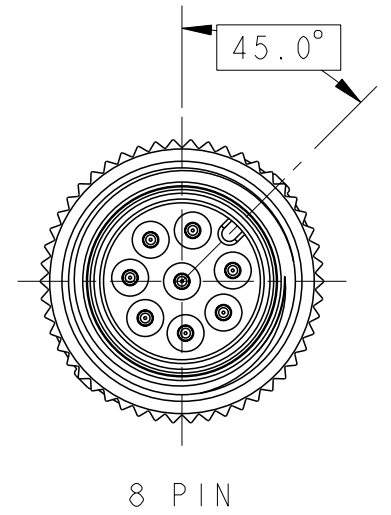
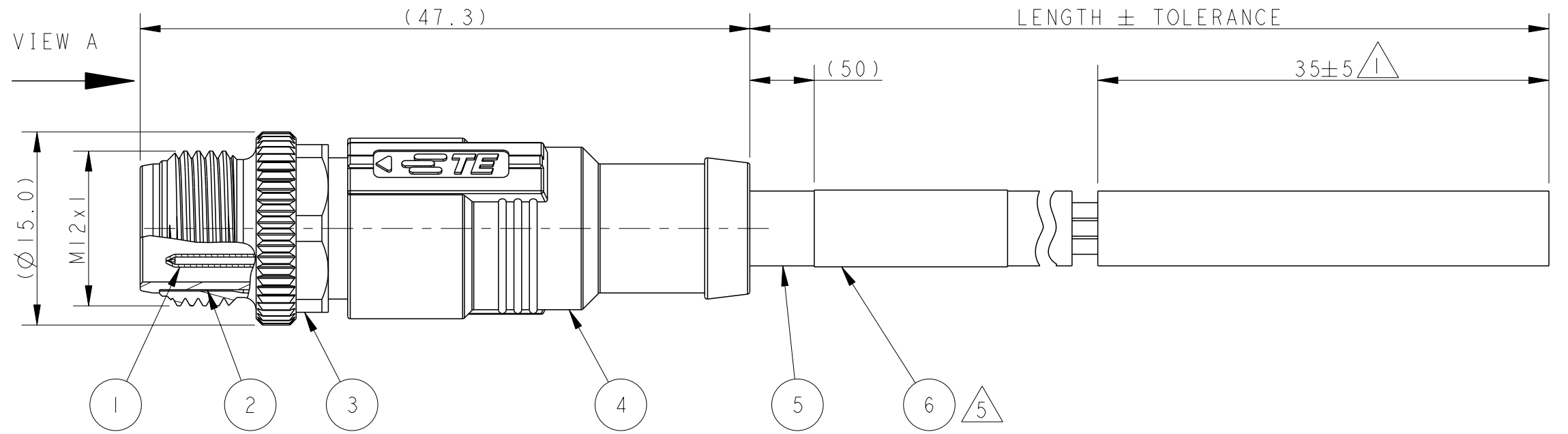
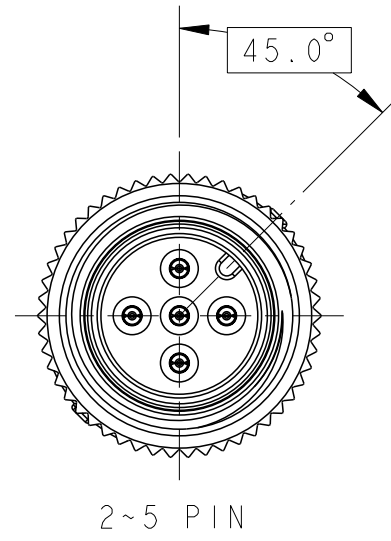
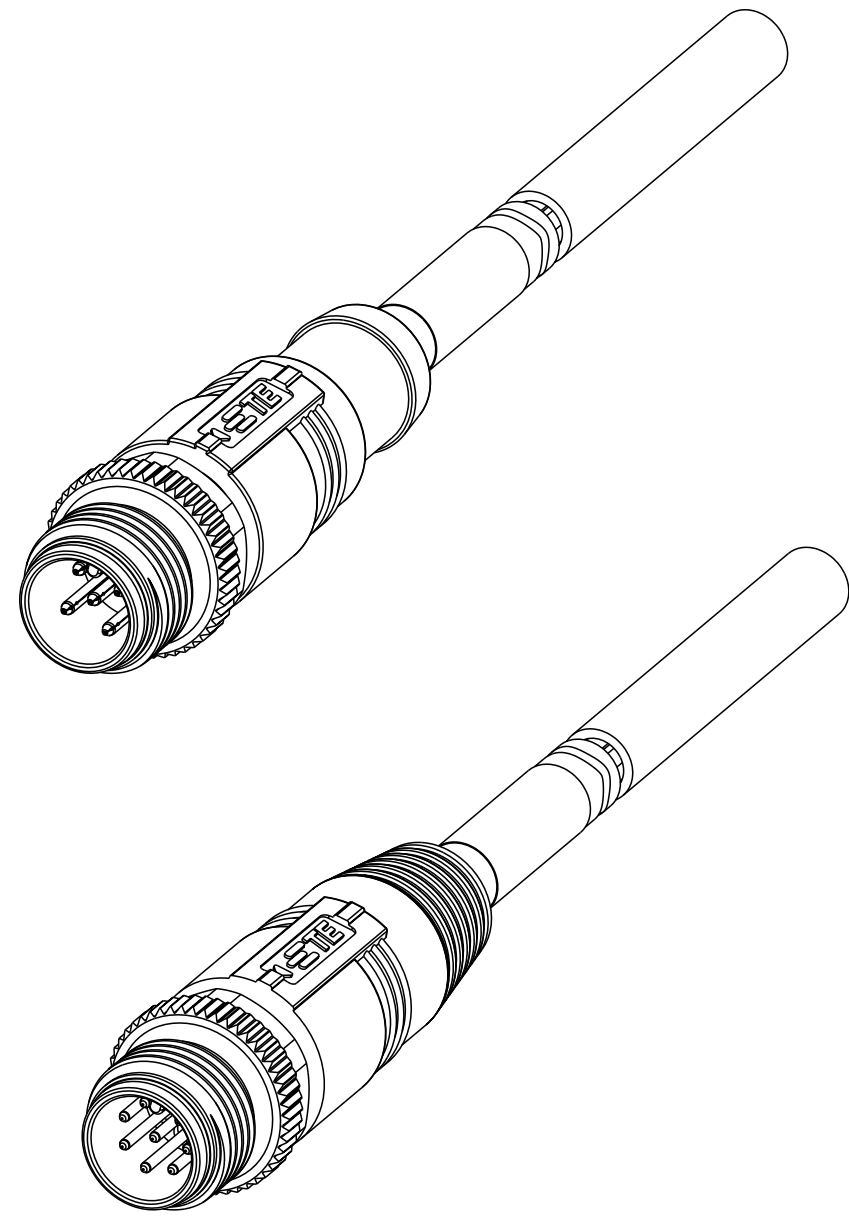
THIS DRAWING IS UNPUBLISHED.
2021 TE Connectivity. All Rights Reserved.

RELEASED FOR PUBLICATION
ALL RIGHTS RESERVED.

(T41611*) M12 STRAIGHT MALE SINGLE ENDED CABLE ASSEMBLY (Shielded)

REVISIONS				
P	LTR	DESCRIPTION	DATE	APVD
A		INITIAL RELEASE	24APR2021	BP CW

ITEM	DESCRIPTION	MATERIAL	OTHERS
1	MALE CONTACT	COPPER ALLOY	FLASH GOLD
2	HOUSING	NYLON	BLACK
3	COUPLING NUT	COPPER ALLOY	-
4	OVER-MOLDING	POLYURETHANE	BLUE
5	CABLE	1=PVC 2=PUR	PVC:BLACK PUR:GRAY
6	LABEL	-	-



PN	T41611X0002-XXX	T41611X0003-XXX	T41611X0004-XXX	T41611X0005-XXX	T41611X0008-XXX																																																																		
VIEW A																																																																							
WIRING DIAGRAM	<table border="1"> <tr><th>PIN</th><th>WIRE</th></tr> <tr><td>1</td><td>BROWN</td></tr> <tr><td>2</td><td>---</td></tr> <tr><td>3</td><td>BLUE</td></tr> <tr><td>4</td><td>---</td></tr> <tr><td>5</td><td>---</td></tr> </table>	PIN	WIRE	1	BROWN	2	---	3	BLUE	4	---	5	---	<table border="1"> <tr><th>PIN</th><th>WIRE</th></tr> <tr><td>1</td><td>BROWN</td></tr> <tr><td>2</td><td>---</td></tr> <tr><td>3</td><td>BLUE</td></tr> <tr><td>4</td><td>BLACK</td></tr> <tr><td>5</td><td>---</td></tr> </table>	PIN	WIRE	1	BROWN	2	---	3	BLUE	4	BLACK	5	---	<table border="1"> <tr><th>PIN</th><th>WIRE</th></tr> <tr><td>1</td><td>BROWN</td></tr> <tr><td>2</td><td>WHITE</td></tr> <tr><td>3</td><td>BLUE</td></tr> <tr><td>4</td><td>BLACK</td></tr> <tr><td>5</td><td>---</td></tr> </table>	PIN	WIRE	1	BROWN	2	WHITE	3	BLUE	4	BLACK	5	---	<table border="1"> <tr><th>PIN</th><th>WIRE</th></tr> <tr><td>1</td><td>BROWN</td></tr> <tr><td>2</td><td>WHITE</td></tr> <tr><td>3</td><td>BLUE</td></tr> <tr><td>4</td><td>BLACK</td></tr> <tr><td>5</td><td>GREY</td></tr> </table>	PIN	WIRE	1	BROWN	2	WHITE	3	BLUE	4	BLACK	5	GREY	<table border="1"> <tr><th>PIN</th><th>WIRE</th></tr> <tr><td>1</td><td>WHITE</td></tr> <tr><td>2</td><td>BROWN</td></tr> <tr><td>3</td><td>GREEN</td></tr> <tr><td>4</td><td>YELLOW</td></tr> <tr><td>5</td><td>GREY</td></tr> <tr><td>6</td><td>PINK</td></tr> <tr><td>7</td><td>BLUE</td></tr> <tr><td>8</td><td>RED</td></tr> </table>	PIN	WIRE	1	WHITE	2	BROWN	3	GREEN	4	YELLOW	5	GREY	6	PINK	7	BLUE	8	RED
PIN	WIRE																																																																						
1	BROWN																																																																						
2	---																																																																						
3	BLUE																																																																						
4	---																																																																						
5	---																																																																						
PIN	WIRE																																																																						
1	BROWN																																																																						
2	---																																																																						
3	BLUE																																																																						
4	BLACK																																																																						
5	---																																																																						
PIN	WIRE																																																																						
1	BROWN																																																																						
2	WHITE																																																																						
3	BLUE																																																																						
4	BLACK																																																																						
5	---																																																																						
PIN	WIRE																																																																						
1	BROWN																																																																						
2	WHITE																																																																						
3	BLUE																																																																						
4	BLACK																																																																						
5	GREY																																																																						
PIN	WIRE																																																																						
1	WHITE																																																																						
2	BROWN																																																																						
3	GREEN																																																																						
4	YELLOW																																																																						
5	GREY																																																																						
6	PINK																																																																						
7	BLUE																																																																						
8	RED																																																																						
STANDARD	CODING REQUIRED TO IEC 61076-2-101																																																																						

TECHNICAL DATA	T41611X0002-XXX	T41611X0003-XXX	T41611X0004-XXX	T41611X0005-XXX	T41611X0008-XXX
RATED VOLTAGE		250V		60V	30V
RATED IMPULSE VOLTAGE		2500V		1500V	800V
RATED CURRENT		4A			2A
POLLUTION DEGREE		3			
OVERVOLTAGE CATEGORY		II			
MATERIAL GROUP		II			
DEGREE OF PROTECTION		IP67			

THIS DRAWING IS A CONTROLLED DOCUMENT.

DWN: BLAZE PENG 10APR2021
CHK: KEVIN HUANG 10APR2021
APVD: CHRIS WANG 10APR2021

ENTRELEC
Electrical Solutions

NAME: M12 CABLE ASSEMBLY SINGLE END SHIELDED

PRODUCT SPEC: 108-106140
APPLICATION SPEC: 114-137144

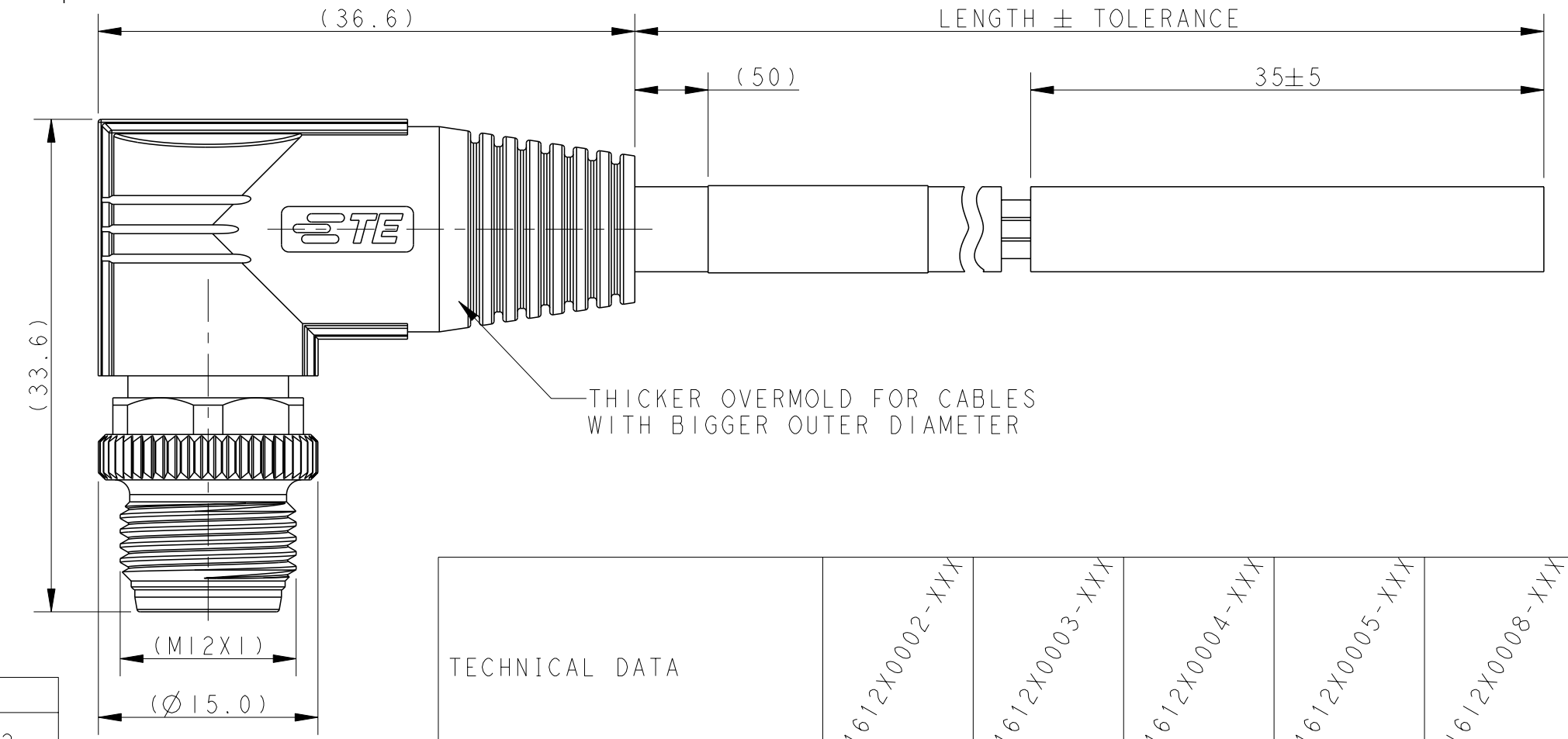
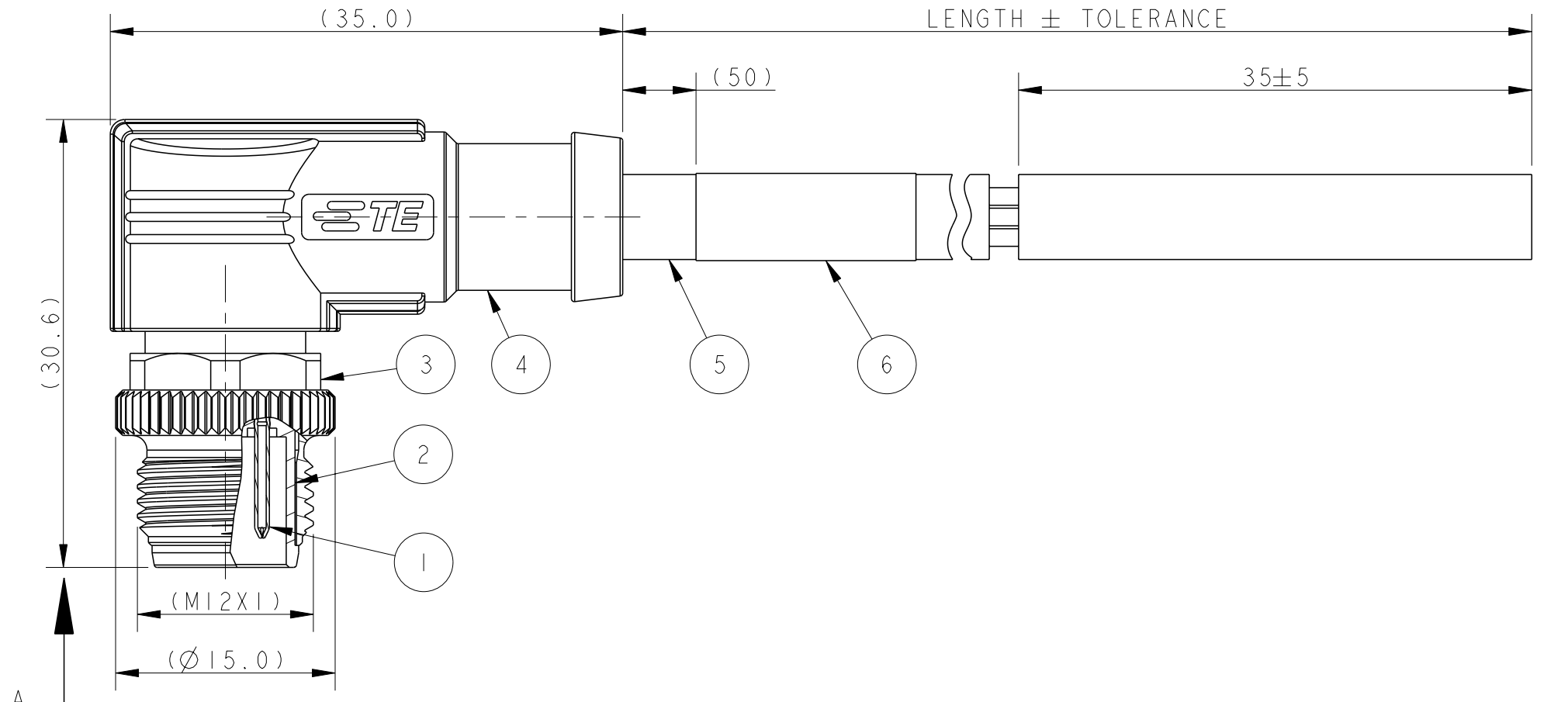
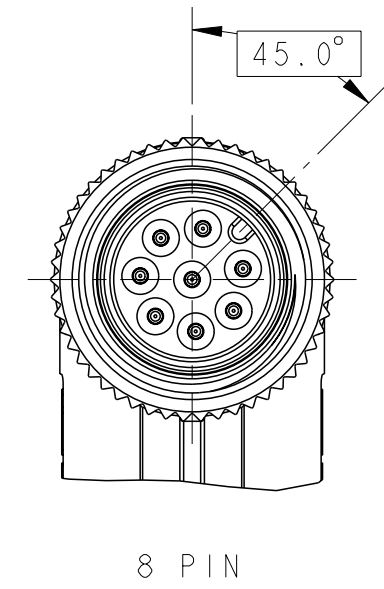
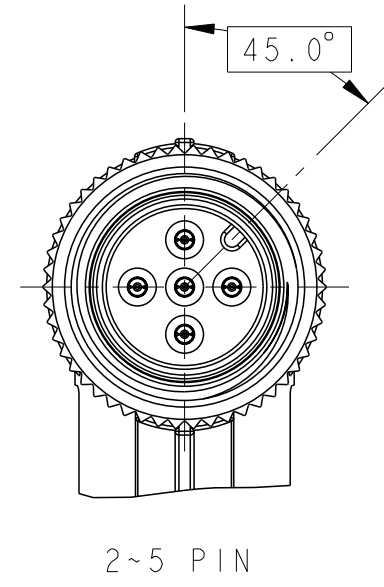
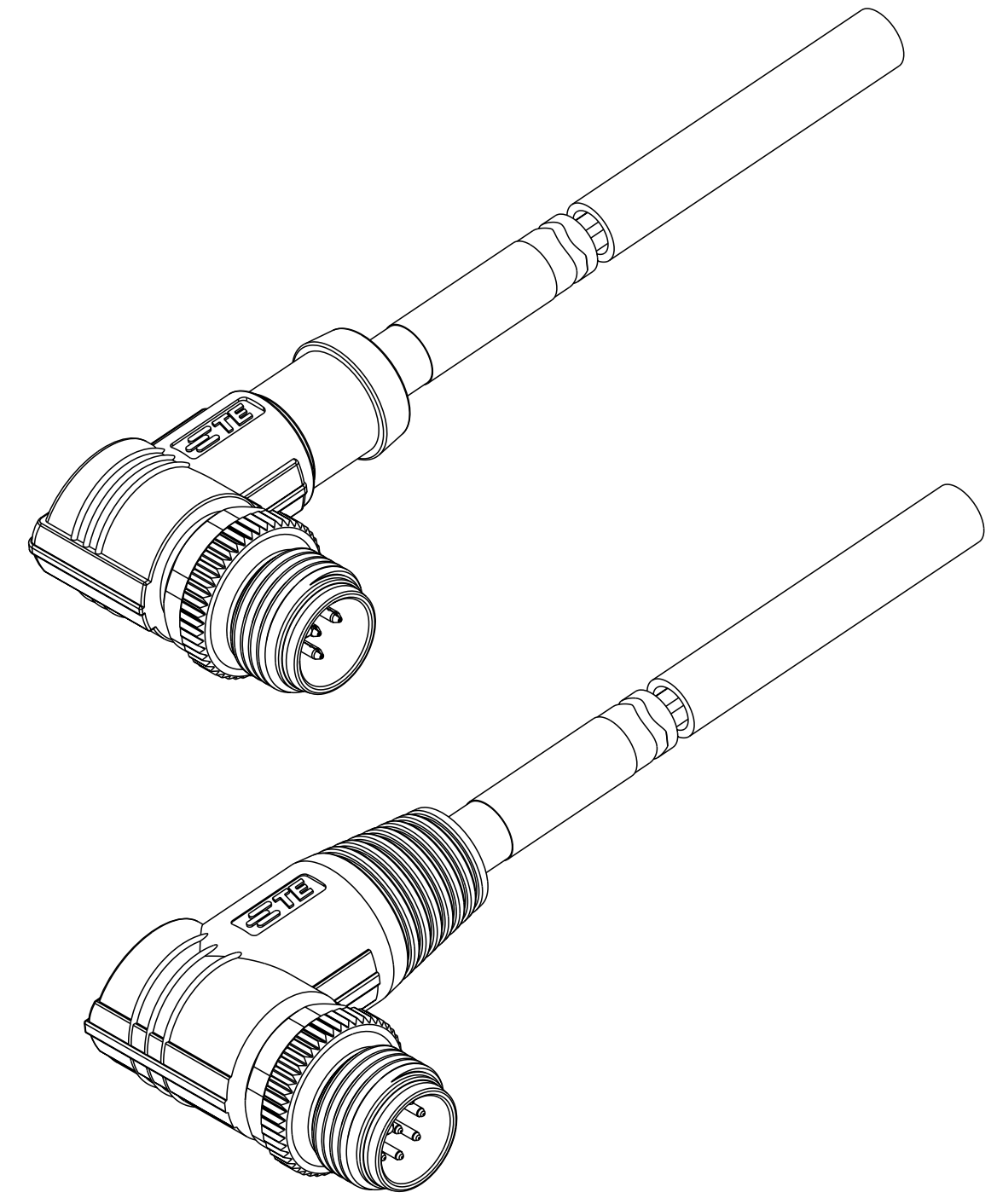
SIZE: A2 CAGE CODE: 00779 DRAWING NO: ISET311C03R0000 RESTRICTED TO: -
SCALE: 1:1 SHEET: 1 OF 5 REV: A

MATERIAL: - FINISH: - WEIGHT: - CUSTOMER DRAWING

REVISIONS				
P	LTR	DESCRIPTION	DATE	APVD
A		INITIAL RELEASE	24APR2021	BP CW

(T41612*) M12 RIGHT ANGLE MALE SINGLE ENDED CABLE ASSEMBLY (Shielded)

ITEM	DESCRIPTION	MATERIAL	OTHERS
1	MALE CONTACT	COPPER ALLOY	FLASH GOLD
2	HOUSING	NYLON	BLACK
3	COUPLING NUT	COPPER ALLOY	-
4	OVER-MOLDING	POLYURETHANE	BLUE
5	CABLE	1=PVC 2=PUR	PVC:BLACK PUR:GRAY
6	LABEL	-	-



PN	T41612X0002-XXX	T41612X0003-XXX	T41612X0004-XXX	T41612X0005-XXX	T41612X0008-XXX																																																																		
VIEW A																																																																							
WIRING DIAGRAM	<table border="1"> <tr><th>PIN</th><th>WIRE</th></tr> <tr><td>1</td><td>BROWN</td></tr> <tr><td>2</td><td>---</td></tr> <tr><td>3</td><td>BLUE</td></tr> <tr><td>4</td><td>---</td></tr> <tr><td>5</td><td>---</td></tr> </table>	PIN	WIRE	1	BROWN	2	---	3	BLUE	4	---	5	---	<table border="1"> <tr><th>PIN</th><th>WIRE</th></tr> <tr><td>1</td><td>BROWN</td></tr> <tr><td>2</td><td>---</td></tr> <tr><td>3</td><td>BLUE</td></tr> <tr><td>4</td><td>BLACK</td></tr> <tr><td>5</td><td>---</td></tr> </table>	PIN	WIRE	1	BROWN	2	---	3	BLUE	4	BLACK	5	---	<table border="1"> <tr><th>PIN</th><th>WIRE</th></tr> <tr><td>1</td><td>BROWN</td></tr> <tr><td>2</td><td>WHITE</td></tr> <tr><td>3</td><td>BLUE</td></tr> <tr><td>4</td><td>BLACK</td></tr> <tr><td>5</td><td>---</td></tr> </table>	PIN	WIRE	1	BROWN	2	WHITE	3	BLUE	4	BLACK	5	---	<table border="1"> <tr><th>PIN</th><th>WIRE</th></tr> <tr><td>1</td><td>BROWN</td></tr> <tr><td>2</td><td>WHITE</td></tr> <tr><td>3</td><td>BLUE</td></tr> <tr><td>4</td><td>BLACK</td></tr> <tr><td>5</td><td>GREY</td></tr> </table>	PIN	WIRE	1	BROWN	2	WHITE	3	BLUE	4	BLACK	5	GREY	<table border="1"> <tr><th>PIN</th><th>WIRE</th></tr> <tr><td>1</td><td>WHITE</td></tr> <tr><td>2</td><td>BROWN</td></tr> <tr><td>3</td><td>GREEN</td></tr> <tr><td>4</td><td>YELLOW</td></tr> <tr><td>5</td><td>GREY</td></tr> <tr><td>6</td><td>PINK</td></tr> <tr><td>7</td><td>BLUE</td></tr> <tr><td>8</td><td>RED</td></tr> </table>	PIN	WIRE	1	WHITE	2	BROWN	3	GREEN	4	YELLOW	5	GREY	6	PINK	7	BLUE	8	RED
PIN	WIRE																																																																						
1	BROWN																																																																						
2	---																																																																						
3	BLUE																																																																						
4	---																																																																						
5	---																																																																						
PIN	WIRE																																																																						
1	BROWN																																																																						
2	---																																																																						
3	BLUE																																																																						
4	BLACK																																																																						
5	---																																																																						
PIN	WIRE																																																																						
1	BROWN																																																																						
2	WHITE																																																																						
3	BLUE																																																																						
4	BLACK																																																																						
5	---																																																																						
PIN	WIRE																																																																						
1	BROWN																																																																						
2	WHITE																																																																						
3	BLUE																																																																						
4	BLACK																																																																						
5	GREY																																																																						
PIN	WIRE																																																																						
1	WHITE																																																																						
2	BROWN																																																																						
3	GREEN																																																																						
4	YELLOW																																																																						
5	GREY																																																																						
6	PINK																																																																						
7	BLUE																																																																						
8	RED																																																																						
STANDARD	CODING REQUIRED TO IEC 61076-2-101																																																																						

TECHNICAL DATA	T41612X0002-XXX	T41612X0003-XXX	T41612X0004-XXX	T41612X0005-XXX	T41612X0008-XXX
RATED VOLTAGE		250V		60V	30V
RATED IMPULSE VOLTAGE		2500V		1500V	800V
RATED CURRENT		4A			2A
POLLUTION DEGREE		3			
OVERVOLTAGE CATEGORY		II			
MATERIAL GROUP		II			
DEGREE OF PROTECTION		IP67			

THIS DRAWING IS A CONTROLLED DOCUMENT.

DWN: BLAZE PENG 10APR2021
 CHK: KEVIN HUANG 10APR2021
 APVD: CHRIS WANG 10APR2021

ENTRELEC
Electrical Solutions

NAME: M12 CABLE ASSEMBLY SINGLE END SHIELDED

PRODUCT SPEC: 108-106140
 APPLICATION SPEC: 114-137144

SIZE: A2 CAGE CODE: 00779 DRAWING NO: C-1SET311C03R0000 RESTRICTED TO: -
 WEIGHT: - SCALE: 1:1 SHEET: 2 OF 5 REV: A

MATERIAL: - DIMENSIONS: mm TOLERANCES UNLESS OTHERWISE SPECIFIED: 0 PLC ±, 1 PLC ±, 2 PLC ±, 3 PLC ±, 4 PLC ±, ANGLES ±, FINISH -

CUSTOMER DRAWING

THIS DRAWING IS UNPUBLISHED.
2021 IE Connectivity. All Rights Reserved.
COPYRIGHT

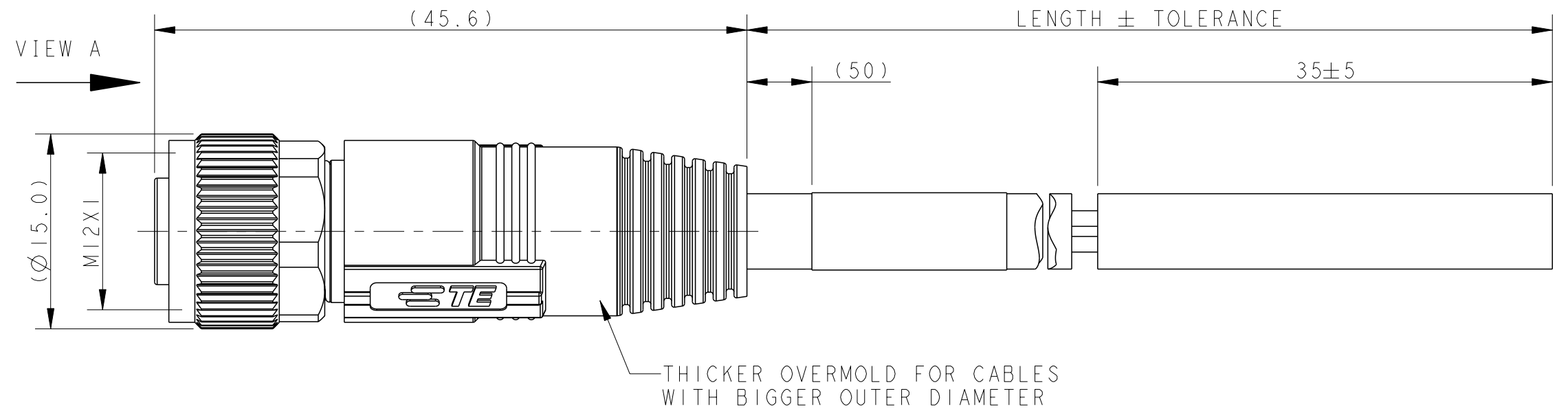
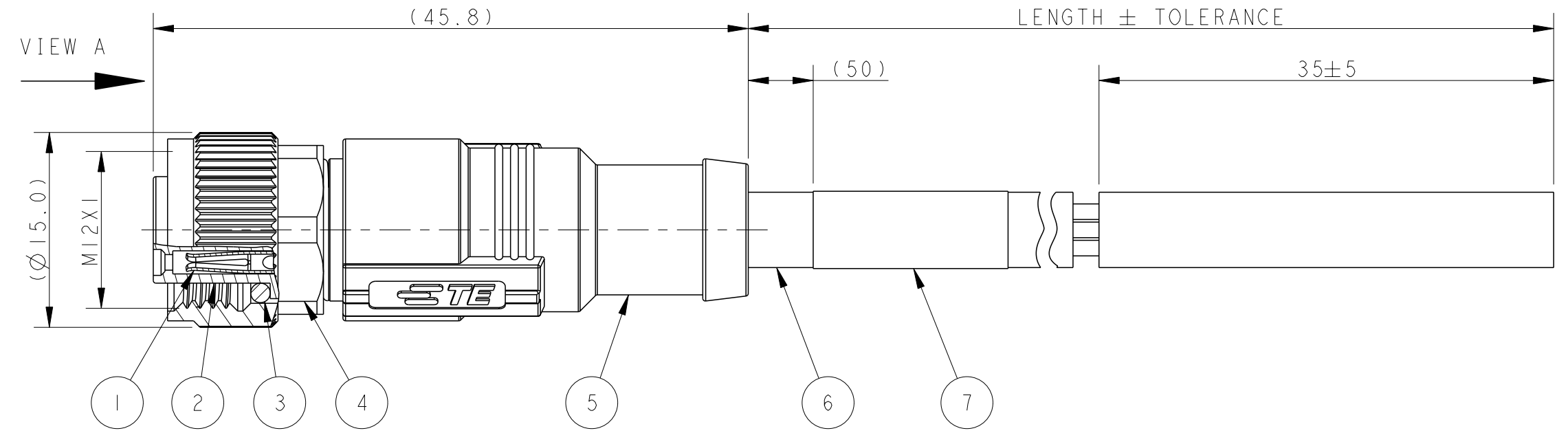
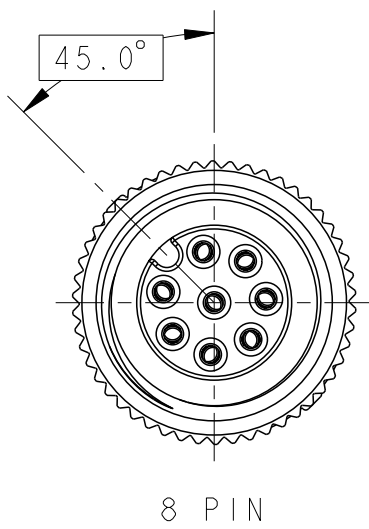
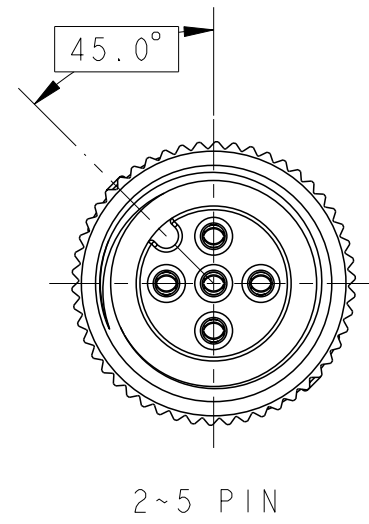
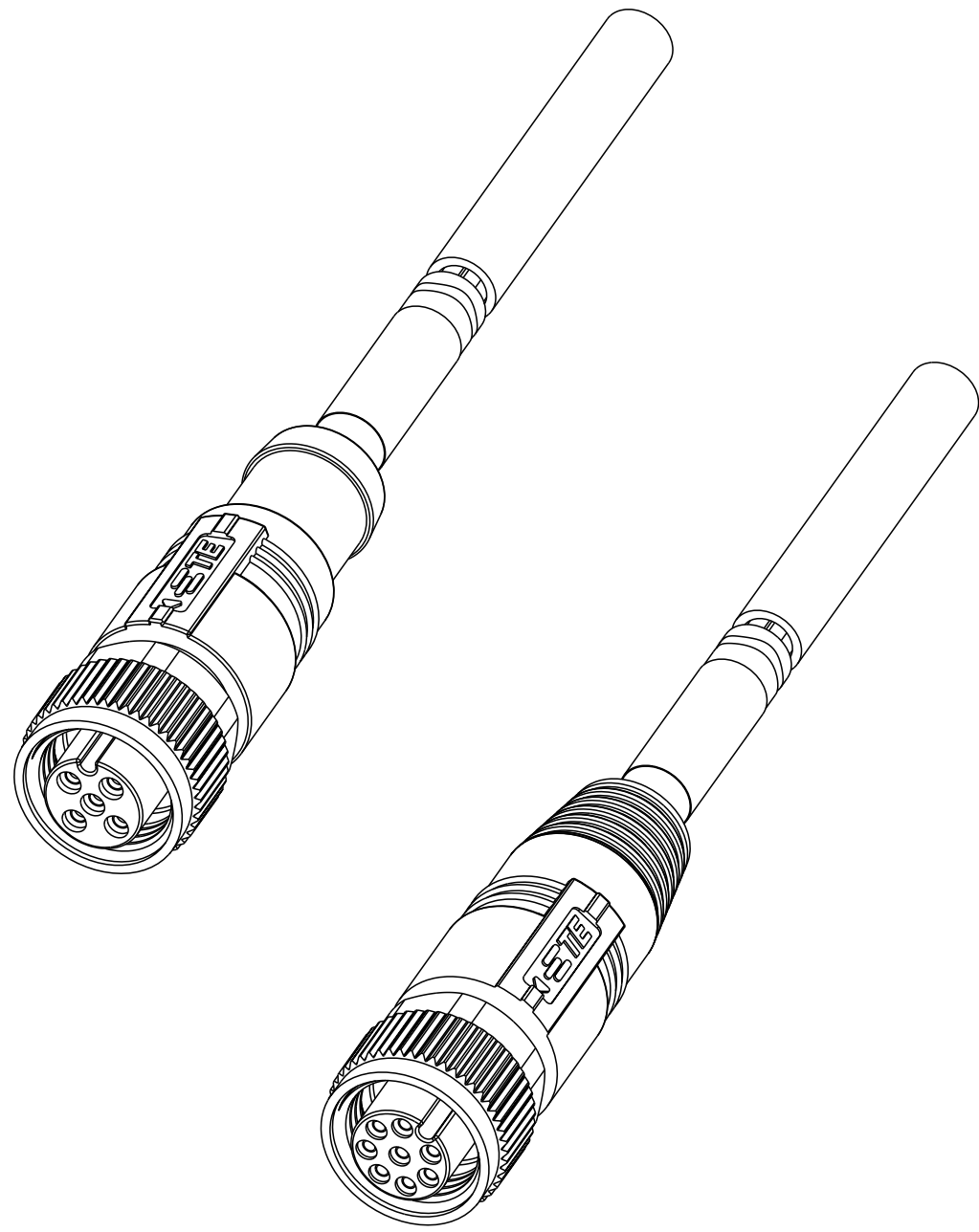
RELEASED FOR PUBLICATION
ALL RIGHTS RESERVED.

REVISIONS

P	LTR	DESCRIPTION	DATE	DWN	APVD
		SEE SHEET 1			

(T41613*) M12 STRAIGHT FEMALE SINGLE ENDED CABLE ASSEMBLY (Shielded)

ITEM	DESCRIPTION	MATERIAL	OTHERS
1	FEMALE CONTACT	COPPER ALLOY	FLASH GOLD
2	HOUSING	NYLON	BLACK
3	O-RING	SILICONE	GRAY
4	COUPLING NUT	COPPER ALLOY	-
5	OVER-MOLDING	POLYURETHANE	BLUE
6	CABLE	1=PVC 2=PUR	PVC:BLACK PUR:GRAY
7	LABEL	-	-



PN	T41613X0002-XXX	T41613X0003-XXX	T41613X0004-XXX	T41613X0005-XXX	T41613X0008-XXX
VIEW A					
WIRING DIAGRAM	PIN WIRE	PIN WIRE	PIN WIRE	PIN WIRE	PIN WIRE
	1 BROWN	1 BROWN	1 BROWN	1 BROWN	1 WHITE
	2 ---	2 ---	2 WHITE	2 WHITE	2 BROWN
	3 BLUE	3 BLUE	3 BLUE	3 BLUE	3 GREEN
	4 ---	4 BLACK	4 BLACK	4 BLACK	4 YELLOW
5 ---	5 ---	5 ---	5 GREY	5 GREY	
					6 PINK
					7 BLUE
					8 RED

CODING REQUIRED TO IEC 61076-2-101

TECHNICAL DATA	T41613X0002-XXX	T41613X0003-XXX	T41613X0004-XXX	T41613X0005-XXX	T41613X0008-XXX
RATED VOLTAGE	250V		60V		30V
RATED IMPULSE VOLTAGE	2500V		1500V		800V
RATED CURRENT	4A				2A
POLLUTION DEGREE	3				
OVERVOLTAGE CATEGORY	II				
MATERIAL GROUP	II				
DEGREE OF PROTECTION	IP67				

THIS DRAWING IS A CONTROLLED DOCUMENT.

DWN: BLAZE PENG 10APR2021
 CHK: KEVIN HUANG 10APR2021
 APVD: CHRIS WANG 10APR2021

ENTRELEC

Electrical Solutions

NAME: M12 CABLE ASSEMBLY SINGLE END SHIELDED

DIMENSIONS:	TOLERANCES UNLESS OTHERWISE SPECIFIED:
mm	0 PLC ±
	1 PLC ±
	2 PLC ±
	3 PLC ±
	4 PLC ±
	ANGLES ±
	FINISH ±

PRODUCT SPEC: 108-106140

APPLICATION SPEC: 114-137144

WEIGHT: -

CUSTOMER DRAWING

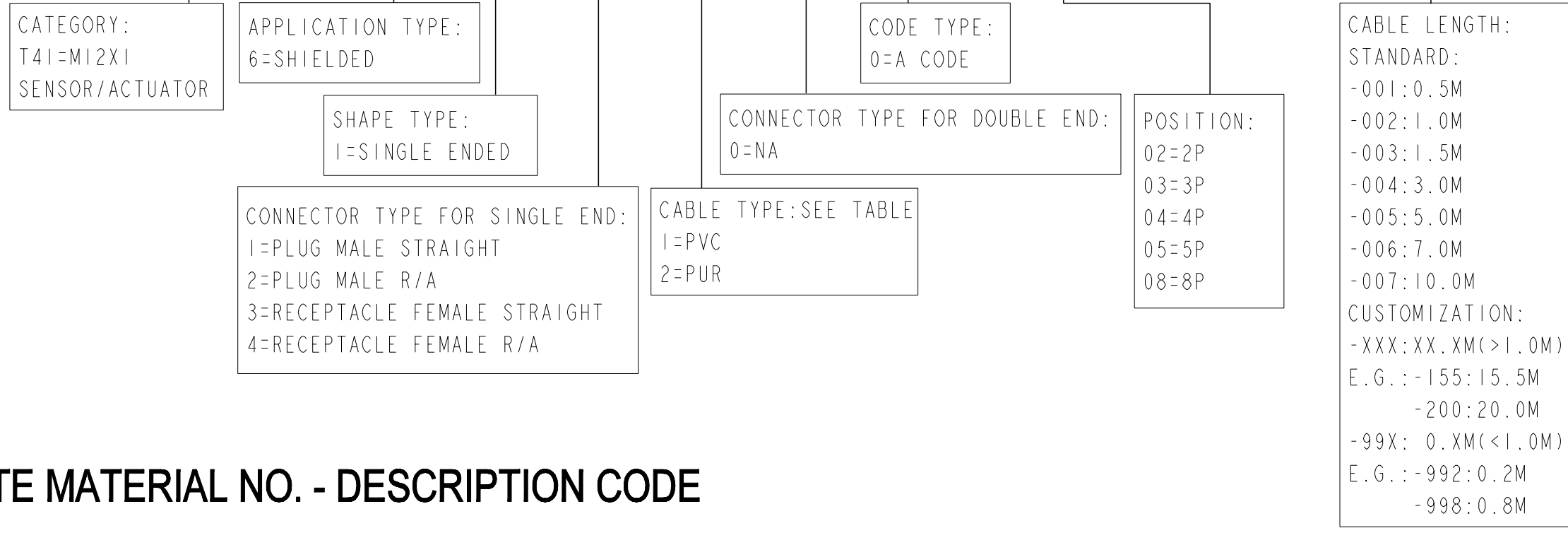
SIZE: A2 CAGE CODE: 00779 DRAWING NO: C-1SET311C03R0000 RESTRICTED TO: -

SCALE: 1:1 SHEET: 3 OF 5 REV: A

REVISIONS				
P	LTR	DESCRIPTION	DATE	APVD
		SEE SHEET 1		

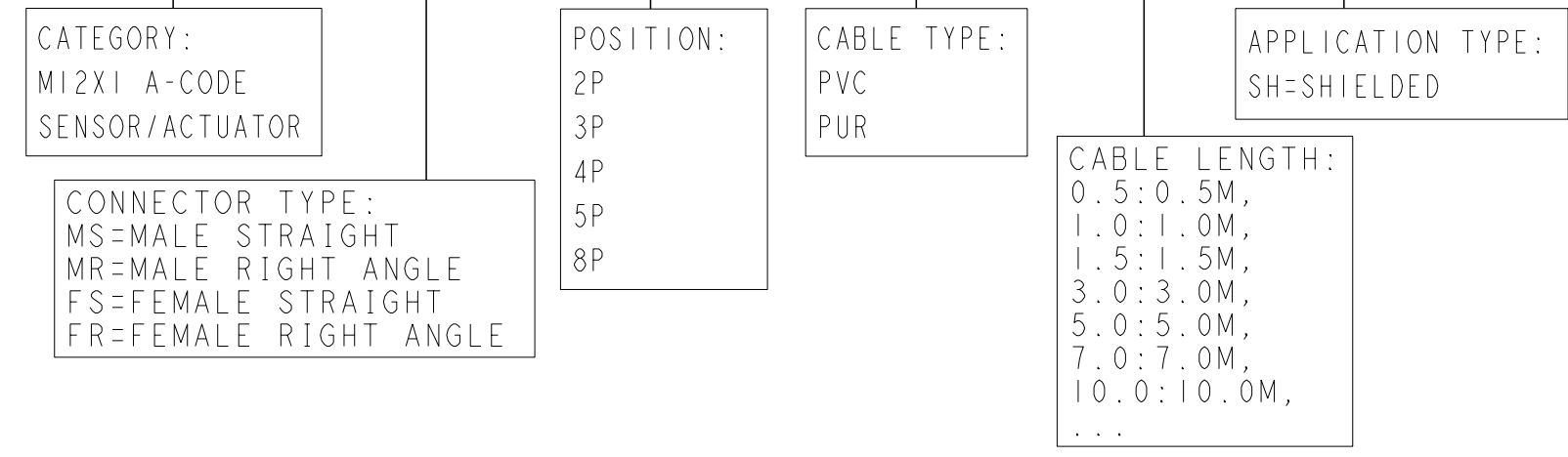
TE MATERIAL NO. - NUMERICAL CODE

T 4 1 6 1 X X 0 0 X X - X X X



TE MATERIAL NO. - DESCRIPTION CODE

M12 - XX - XP - PXX - ** - SH



CABLE INFORMATION

CABLE TYPE	NO. OF WIRES	CROSS SECTION	CABLE JACKET	UL	STATIC:TEMP.	DYNAMIC:TEMP.
1	2/3/4/5	0.34mm ²	PVC BLACK	UL2464	-10°C~+80°C	-5°C~+80°C
1	8	0.25mm ²	PVC BLACK	UL2464	-40°C~+80°C	-25°C~+80°C
2	2/3/4/5	0.34mm ²	PUR GREY	UL20549	-40°C~+80°C	-25°C~+80°C
2	8	0.25mm ²	PUR GREY	UL20549	-40°C~+80°C	-25°C~+80°C

CABLE LENGTH TOLERANCE

OVER	UP TO AND INCLUDING	TOLERANCES
0	1000mm	±30mm
1000mm	4000mm	±50mm
4000mm	5000mm	±60mm
5000mm	10000mm	±80mm
10000mm	>	±1.5% OF CABLE LENGTH

- NOTE:
- STRIP AND RETAIN THE INSULATION
 - CODE POSITION INDICATOR
 - RECOMMENDED TORQUE 0.6 Nm
 - CABLE ASSEMBLY TO BE PACKAGED IN POLYBAGS
 - LABEL CONTAINS: PN, DATE CODE...

PART LIST

MI2-MS-4P-PUR-1.0-SH	T4161120004-002	ISSET314051R0000
MI2-MS-4P-PUR-3.0-SH	T4161120004-004	ISSET314053R0000
MI2-MS-4P-PUR-5.0-SH	T4161120004-005	ISSET314054R0000
MI2-MS-5P-PUR-1.0-SH	T4161120005-002	ISSET314058R0000
MI2-MS-5P-PUR-3.0-SH	T4161120005-004	ISSET314060R0000
MI2-MS-5P-PUR-5.0-SH	T4161120005-005	ISSET314061R0000
MI2-MS-8P-PUR-1.0-SH	T4161120008-002	ISSET314065R0000
MI2-MS-8P-PUR-3.0-SH	T4161120008-004	ISSET314067R0000
MI2-MS-8P-PUR-5.0-SH	T4161120008-005	ISSET314068R0000
MI2-MR-4P-PUR-1.0-SH	T4161220004-002	ISSET314121R0000
MI2-MR-4P-PUR-3.0-SH	T4161220004-004	ISSET314123R0000
MI2-MR-4P-PUR-5.0-SH	T4161220004-005	ISSET314124R0000
MI2-MR-5P-PUR-1.0-SH	T4161220005-002	ISSET314128R0000
MI2-MR-5P-PUR-3.0-SH	T4161220005-004	ISSET314130R0000
MI2-MR-5P-PUR-5.0-SH	T4161220005-005	ISSET314131R0000
MI2-MR-8P-PUR-1.0-SH	T4161220008-002	ISSET314135R0000
MI2-MR-8P-PUR-3.0-SH	T4161220008-004	ISSET314137R0000
MI2-MR-8P-PUR-5.0-SH	T4161220008-005	ISSET314138R0000
MI2-FS-4P-PUR-1.0-SH	T4161320004-002	ISSET314191R0000
MI2-FS-4P-PUR-3.0-SH	T4161320004-004	ISSET314193R0000
MI2-FS-4P-PUR-5.0-SH	T4161320004-005	ISSET314194R0000
MI2-FS-5P-PUR-1.0-SH	T4161320005-002	ISSET314198R0000
MI2-FS-5P-PUR-3.0-SH	T4161320005-004	ISSET314200R0000
MI2-FS-5P-PUR-5.0-SH	T4161320005-005	ISSET314201R0000
MI2-FS-8P-PUR-1.0-SH	T4161320008-002	ISSET314205R0000
MI2-FS-8P-PUR-3.0-SH	T4161320008-004	ISSET314207R0000
MI2-FS-8P-PUR-5.0-SH	T4161320008-005	ISSET314208R0000
MI2-FR-4P-PUR-1.0-SH	T4161420004-002	ISSET314261R0000
MI2-FR-4P-PUR-3.0-SH	T4161420004-004	ISSET314263R0000
MI2-FR-4P-PUR-5.0-SH	T4161420004-005	ISSET314264R0000
MI2-FR-5P-PUR-1.0-SH	T4161420005-002	ISSET314268R0000
MI2-FR-5P-PUR-3.0-SH	T4161420005-004	ISSET314270R0000
MI2-FR-5P-PUR-5.0-SH	T4161420005-005	ISSET314271R0000
MI2-FR-8P-PUR-1.0-SH	T4161420008-002	ISSET314275R0000
MI2-FR-8P-PUR-3.0-SH	T4161420008-004	ISSET314277R0000
MI2-FR-8P-PUR-5.0-SH	T4161420008-005	ISSET314278R0000
PRODUCT TYPE	TE PN	ENTRELEC PN

THIS DRAWING IS A CONTROLLED DOCUMENT.

DIMENSIONS: mm	TOLERANCES UNLESS OTHERWISE SPECIFIED: 0 PLC ± 1 PLC ± 2 PLC ± 3 PLC ± 4 PLC ± ANGLES ± FINISH	DWN: BLAZE PENG 10APR2021 CHK: KEVIN HUANG 10APR2021 APVD: CHRIS WANG 10APR2021	ENTRELEC Electrical Solutions NAME: MI2 CABLE ASSEMBLY SINGLE END SHIELDED	
MATERIAL: -		PRODUCT SPEC: 108-106140 APPLICATION SPEC: 114-137144	SIZE: A2	CAGE CODE: 00779
		WEIGHT: -	DRAWING NO: ISET311C03R0000	RESTRICTED TO: -
		CUSTOMER DRAWING	SCALE: 1:1	SHEET: 5 OF 5 REV: A