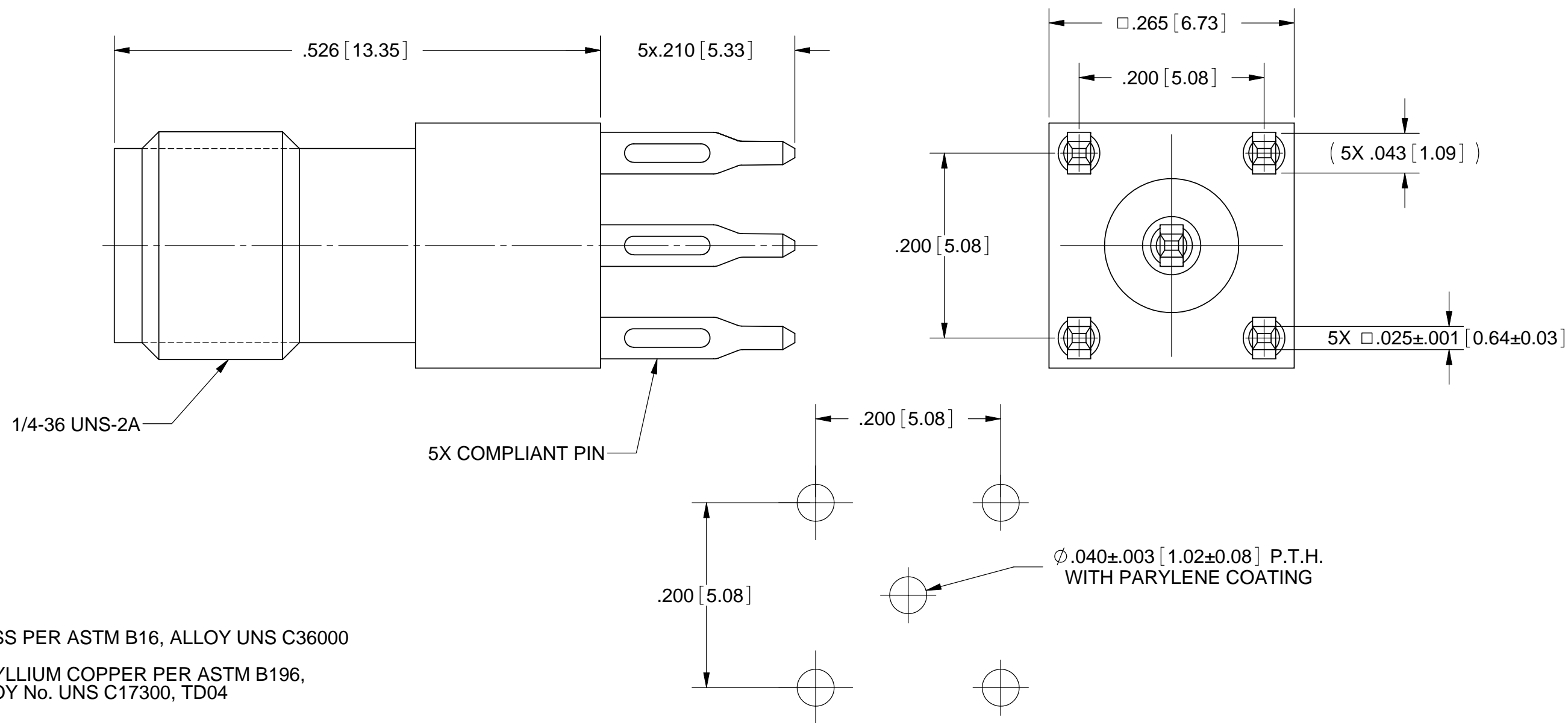


# PRODUCT DATA DRAWING

REVISION HISTORY			
REV	DESCRIPTION	DATE	APPROVED
A	REV. DCN 36671	04/09/09	STW



**MATERIAL:**  
**BODY:** BRASS PER ASTM B16, ALLOY UNS C36000  
**CONTACT:** BERYLLIUM COPPER PER ASTM B196, ALLOY No. UNS C17300, TD04  
**COMPLIANT PINS:** PHOSPHOR BRONZE PER ASTM B103, ALLOY No. C51000, H04.  
**INSULATOR:** PTFE PER ASTM D1710, TYPE I, GRADE 1, CLASS B  
**FINISH:**  
**BODY, CONTACT & COMPLIANT PINS:** GOLD PER ASTM B488, TYPE II, CODE C, CLASS 0.76; OVER NICKEL PER AMS-QQ-N-290, CLASS 1, .00005" MIN

**PERFORMANCE:**  
**IMPEDANCE:** 50 OHMS  
**FREQ. RANGE:** DC TO 18.0 GHz  
**DWV:** 1000 VRMS

RECOMMENDED MOUNTING HOLE PATTERN  
 PLATED THROUGH HOLES

MATERIAL: SEE NOTES	DIMENSIONS ARE IN INCHES TOLERANCES: FRACTIONAL: ±1/64 ANGULAR: X° ±1'0" X'X' ±15"	UNLESS OTHERWISE SPECIFIED 1) ALL DIMENSIONS ARE IN INCHES (MILLIMETERS) 2) ALL DIMENSIONS ARE AFTER PLATING. 3) BREAK CORNERS & EDGES .005 R. MAX. 4) CHAM. 1ST & LAST THREADS. 5) SURFACE ROUGHNESS 63-MIL-STD-10. 6) DIA.'S ON COMMON CENTERS TO BE CONCENTRIC WITHIN .005 T.I.R. 7) REMOVE ALL BURRS	<b>SV Microwave, Inc.</b> 2400 Centrepark West Drive, Suite 100 West Palm Beach, FL 33409
FINISH: SEE NOTES	DECIMAL: .X ±.030 .XX ±.010 .XXX ±.005	INTERPRET DIMENSIONS AND TOLERANCES PER ASME Y14.5M - 1994	TITLE: <b>SMA JACK PCB MOUNT WITH COMPLIANT PINS</b>
SURFACE AREA: N/A	THIRD ANGLE PROJECTION	DRAWN: JMC 01/15/08 CHECKED: STW 01/15/08 APPROVED: STW 01/15/08	SIZE: <b>B</b> CAGE CODE: <b>95077</b> DWG. NO.: <b>2921-0001</b>
<p><b>PROPRIETARY</b></p> <p>THE INFORMATION CONTAINED IN THIS DRAWING IS THE SOLE PROPERTY OF SV MICROWAVE, INC. ANY REPRODUCTION IN PART OR AS A WHOLE WITHOUT THE WRITTEN PERMISSION OF SV MICROWAVE, INC IS PROHIBITED.</p>			SCALE: 8:1 SHEET 1 OF 1