

Output filter for 3-phase frequency inverter



Description

- Compact design
- Standard versions include insulated safety screw terminals
- Enhancement of the system efficiency

Standards

- IEC 60939
- UL 1283
- CSA C22.2 no. 8

Approvals

- VDE Certificate Number: 40004669
- UL File Number: 72928

Applications

- Voltage rating 550 VAC for world wide acceptance
- Motors can be fed through long cables
- Reduces the voltage rise rate of inverter output voltage

Weblinks

[pdf-datasheet](#), [html-datasheet](#), [General Product Information](#), [Approvals](#), [CE declaration of conformity](#), [RoHS](#), [CHINA-RoHS](#), [REACH](#), [Distributor-Stock-Check](#), [Detailed request for product](#)

Technical Data

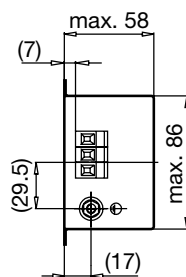
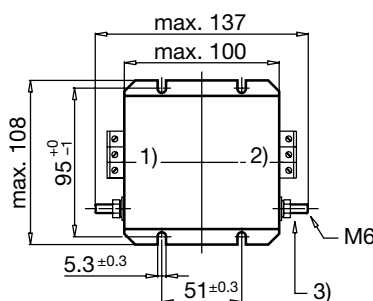
Rated Current	8 - 32 A @ Ta 40 °C
Rated voltage	550 VAC; 50/60 Hz
Approval for	8 - 32 A @ Ta 40 °C / 550 VAC; 50 Hz
Overload Current	1.5 x Ir
Leakage Current	standard < 0.5 mA (440 V / 50 Hz)
Dielectric Strength	550 VAC: 2.25 kVDC between L-L 3 kVDC between L-PE Test voltage (2 sec)
Voltage Rise Rate dU/dt	< 500 V/µs
Weight	1.36 - 7 kg
Material: Housing	Metal
Sealing Compound	UL 94V-0

Mounting	Screw-on mounting on chassis, from top
Terminal	Screw clamps
Operating Temperature [°C]	-25 °C to 100 °C
Climatic Category	25/100/21 acc. to IEC 60068-1
Degree of Protection	IP 20 acc. to
Protection Class	Suitable for appliances with protection class I acc. to IEC 61140
MTBF	> 200'000h acc. to MIL-HB-217 F

Dimension

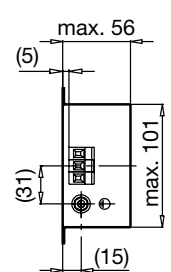
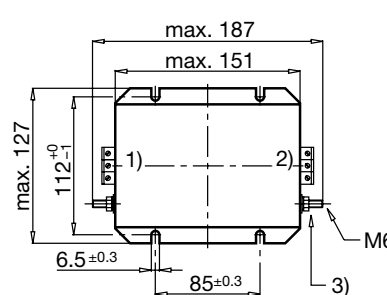
Case 24

I/O connections torque 0.6...0.8 Nm



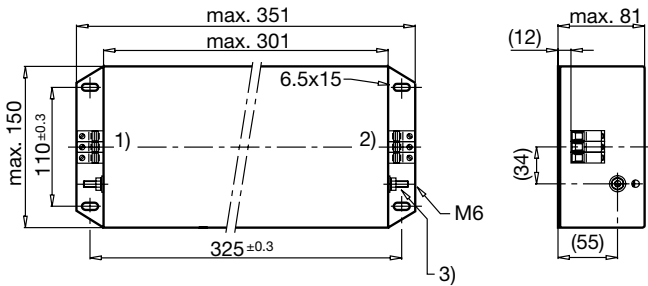
Case 27

I/O connections torque 0.6...0.8 Nm

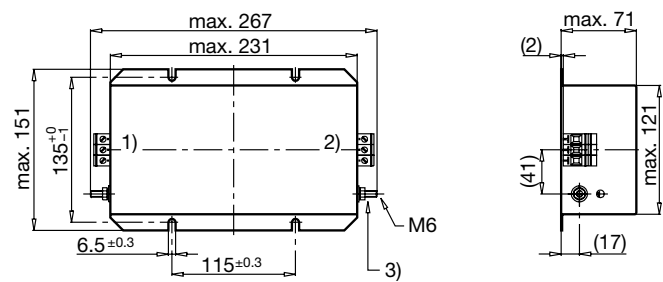


- 1) Inverter
- 2) Motor
- 3) Nut torque 3...4 Nm

Case 38
I/O connections torque 1.5...1.8 Nm

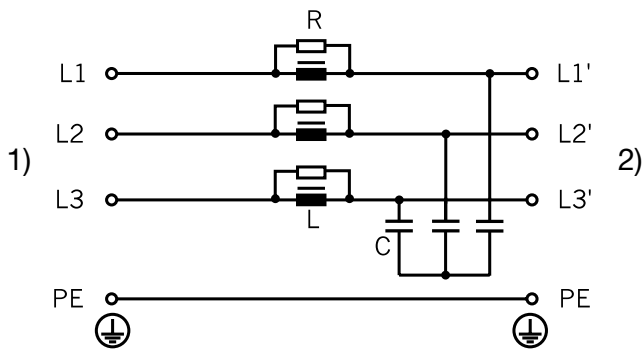


Case 40
I/O connections torque 1.5...1.8 Nm

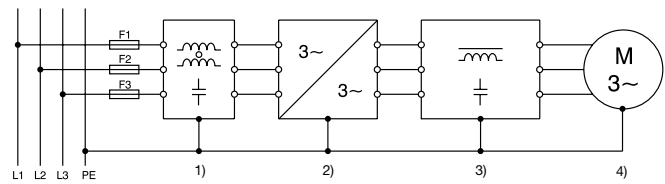


- 1) Inverter
- 2) Motor
- 3) Nut torque 3...4 Nm

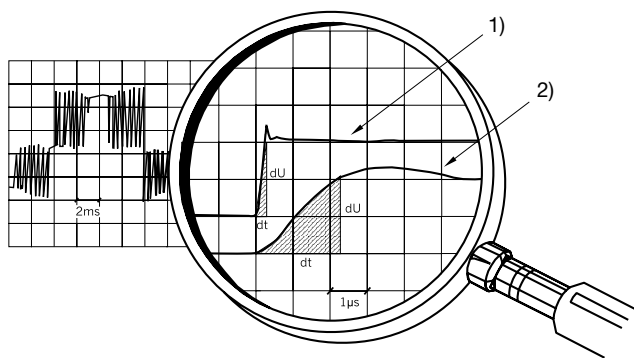
Diagrams



- 1) Inverter
- 2) Motor



- 1) Mains Filter
- 2) Frequency Inverter
- 3) Output Filter
- 4) Motor



- 1) without Output Filter
- 2) with Output Filter

All Variants

Rated Current [A]	Rated Voltage [VAC]	Contact Resistance [mΩ]	L [mH]	C [nF]	Weight	Clamps [mm ²]	Housings	Order Number
8	550	22	0.2	4.7	1.4 kg	4	24	FMAC-OA24-0813
16	550	11.6	0.2	4.7	2.4 kg	4	27	FMAC-OA27-1613
25	550	9.2	0.2	4.7	4.7 kg	6	40	FMAC-OA40-2513
32	550	9.2	0.2	4.7	8.1 kg	10	38	FMAC-OA38-3213

Availability for all products can be searched real-time: <http://www.schurter.com/Stock-Check/Stock-Check-SCHURTER>

8A version: packing unit 2 pcs.

Packaging unit 1 Pcs