

IEC Appliance Inlet C20, Screw-on Mounting, Rear Side, PCB Terminal



C20



70° C



Description

- Panel Mount:
Screw-on mounting, from rear-side
- 1 Function
- Appliance Inlet, Pin temperature 70 °C, Protection class I
- For PCB mounting

Approvals

- UL File Number: E96454
- CSA File Number: 27324

References

We recommend for new applications the type [GSP4](#)

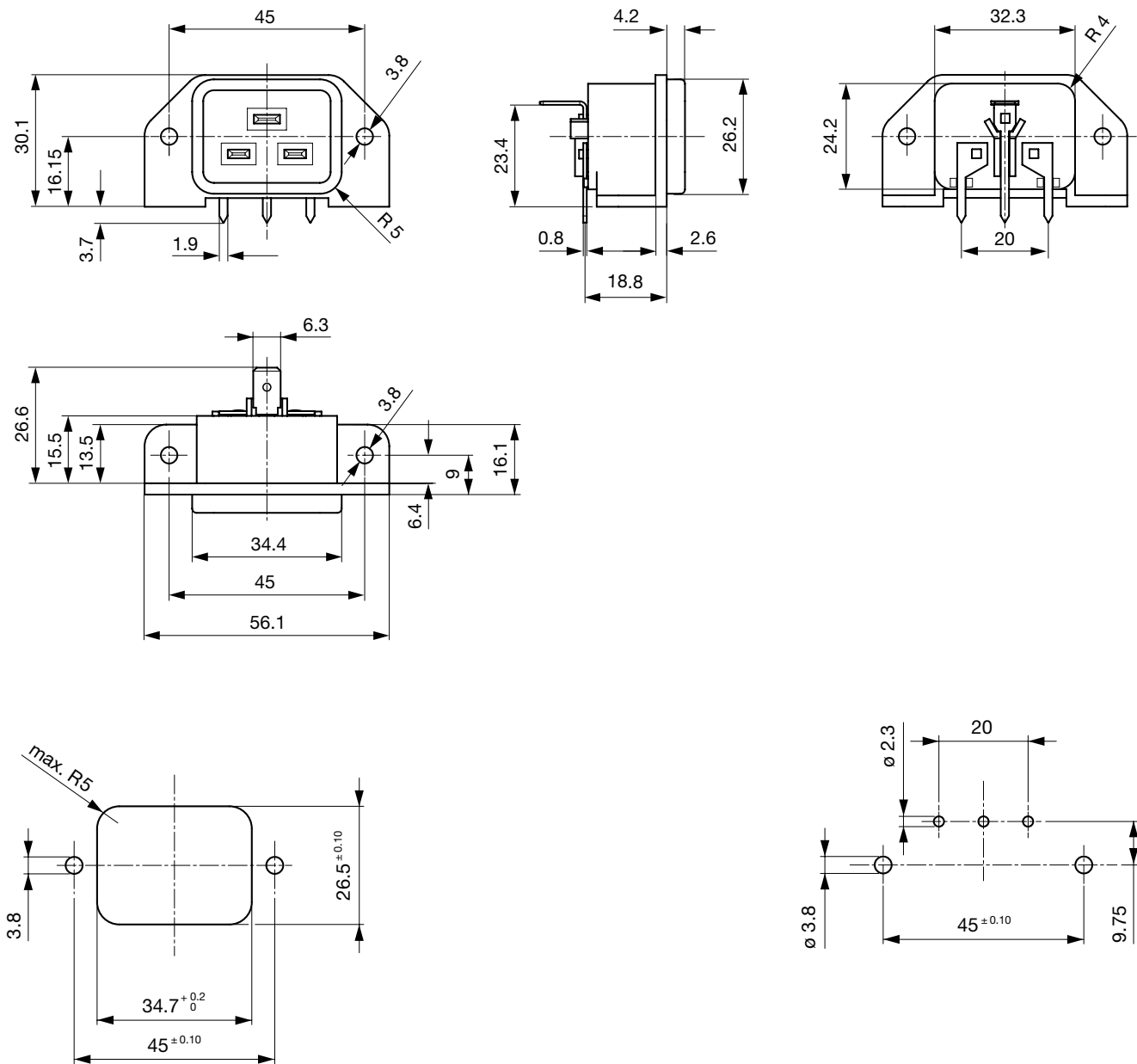
Weblinks

[pdf-datasheet](#), [html-datasheet](#), [General Product Information](#), [Approvals](#), [CE declaration of conformity](#), [RoHS](#), [CHINA-RoHS](#), [REACH](#), [Mating Connectors](#), [e-Shop](#), [SCHURTER-Stock-Check](#), [Distributor-Stock-Check](#), [CAD-Drawings](#), [Accessories](#), [Detailed request for product](#)

Technical Data

Ratings IEC	16 A / 250 VAC; 50 Hz	Appliance Inlet	C20 acc. to IEC 60320-1
Ratings UL/CSA	20 A / 250 VAC; 60 Hz		UL 60320-1, CSA C22.2 no. 60320-1-11 (for cold conditions) pin-temperature 70 °C, 16A, Protection Class I
Dielectric Strength	> 3 kVAC between L-N > 1.5 kVAC between L/N-PE (1 min/50 Hz)		
Allowable Operation Temp.	-25 °C to 70 °C		
Degree of Protection	from front side IP 20 acc. to IEC 60529		
Protection Class	Suitable for appliances with protection class I acc. to IEC 61140		
Terminal	For PCB mounting Solder terminal straight		

Dimensions



Panel cut-out and Drilling diagram

Config. Code

1601 - H - A B C 0 - D - E I


The characters are placeholders for the correspondingly keys of selections from the key tables.

1601 - **H** - A B C 0 - D - E I = Type

Type	Configuration key
protection class I	X

Terminal L

Configuration key

PCB-terminal standard		4
-----------------------	---	---

1601 - H - A **B** C 0 - D - E I = Terminals

1601 - H - **A** B C 0 - D - E I = Terminals

Terminal N	Configuration key
PCB-terminal standard	4

Symbols similar as in table A

Color	Configuration key
Grey	B
White	D

1601 - H - A B C 0 - D - E I = Terminals

Terminal Ground	Configuration key
PCB-terminal long (additional quick-connect terminal 6.3 x 0.8 mm)	6

Symbols similar as in table A

1601 - H - A B C 0 - D - E I = Style

Style	Configuration key
flange with through holes	2

1601 - H - A B C 0 - D - E I = Color

Color	Configuration key
Black	A

1601 - H - A B C 0 - D - E I = Additional Terminals

Additional Terminals	Configuration key
without additional terminal on L and N	0
additional quick connect terminal 6.3 x 0.8 mm on L and N	9

All Variants

Config. Code	Description	Order Number
1601-X-4460-A-29	1601, IEC Appliance Inlet C20, 70°CI, L: PCB-terminal standard, N: PCB-terminal standard, ground: PCB-terminal long (additional quick-connect terminal 6.3 x 0.8 mm), color: Black, design: flange with through holes, additional terminal L:additional quick connect terminal 6.3 x 0.8 mm on L and N	6163.0018
1601-X-4460-A-20	1601, IEC Appliance Inlet C20, 70°CI, L: PCB-terminal standard, N: PCB-terminal standard, ground: PCB-terminal long (additional quick-connect terminal 6.3 x 0.8 mm), color: Black, design: flange with through holes, additional terminal L:without additional terminal on L and N	6163.0019

The listet variants should be available from stock Other versions on request www.schurter.com/contact

Most Popular.

Availability for all products can be searched real-time:<http://www.schurter.com/en/Stock-Check/Stock-Check-SCHURTER>

Packaging unit 50 Pcs

Mating Outlets/Connectors

Category / Description

[Connector Overview complete](#)



IEC Connector C19, Rewireable, Straight	4795
IEC Connector C19, Rewireable, Angled	4790
IEC Connector C19, Rewireable, Straight	0104U

[Connector further types to 1601](#)

[Power Supply Cord Overview complete](#)



Cord Sets 16 A, Europlug, 2.5 m, Connector IEC C19, cord end:	6004.0395
Cord Sets 16 A, North America, 2.5 m, Connector IEC C19, cord end:	6009.5195

[Power Supply Cord further types to 1601](#)

Category / Description

[Power Supply or Interconnection Cord Overview complete](#)

Kabelverbindung 16 A, diverse, 2.5 m, Connector IEC C19, cord end:

6003.0395

[Power Supply or Interconnection Cord further types to 1601](#)

Mating Outlets/Connectors shuttered

[Power Cord Overview complete](#)

Overview Power Cord with IEC Appliance Connector C19, V-Lock, straight

VAC19KS

[Power Cord further types to 1601](#)