

IEC Appliance Inlet C20, Screw-on Mounting, Front Side, Solder or Quick-connect Terminal



4798



Description

- Panel Mount :
Screw-on mounting from front side
- 1 Function
- Appliance Inlet , Pin temperature 70 °C , Protection class I
- Solder terminals or quick connect terminals

Approvals

- VDE Certificate Number: 40020659
- UL File Number: E96454
- CCC File Number: 2012010204576578

Other versions on request

- Types for enhanced glow wire test requirements acc. IEC 60695-2-12 and -13 for the use in unattended household equipment acc. IEC 60335-1

References

Alternative: version with line filter [C20F](#); [5130](#)

Weblinks

[pdf-datasheet](#), [html-datasheet](#), [General Product Information](#), [RoHS](#), [CHINA-RoHS](#), [REACH](#), [Distributor-Stock-Check](#), [Accessories](#), [Detailed request for product](#)

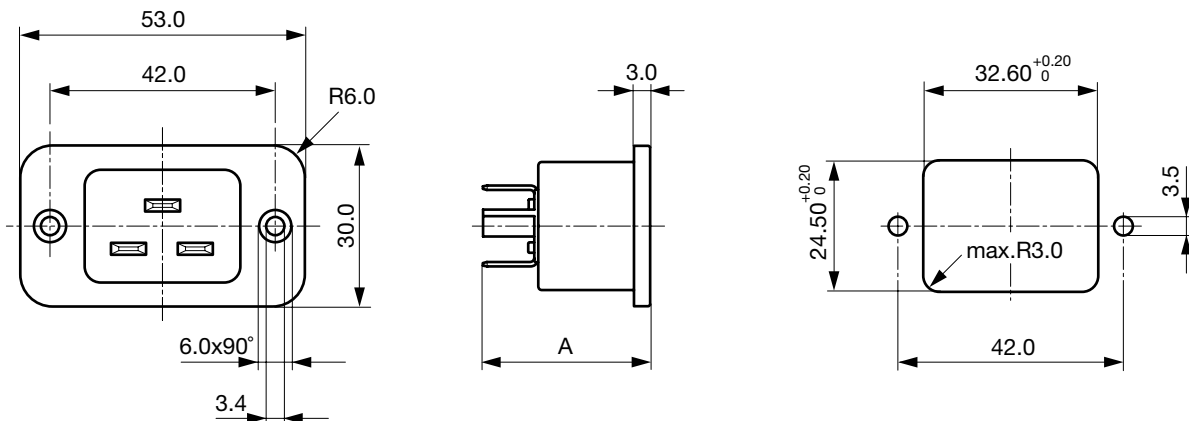
Newly available variants corresponding to V-Lock mating cordset. The connector is equipped with a notch intended for use with the latching cordset. The cord latching system prevents against accidental removal of the cordset.

Technical Data

Ratings IEC	16A / 250VAC; 50Hz	appliance inlet/-outlet	C20 acc. to IEC 60320-1,
Ratings UL/CSA	20A / 250VAC; 60Hz		UL 498, CSA C22.2 no. 42 (for cold
Dielectric Strength	> 2.2kVAC between L-N > 4kVAC between L/N-PE (1 min/50Hz)		conditions) pin-temperature 70 °C, 16A,
Allowable Operation Temp.	-25 °C to 70 °C		Protection Class I
IP-Protection	from front side IP 40 acc. to IEC 60529		
Insulation cover	Suitable for appliances with protection class I acc. to IEC 61140		
Terminal	Solder terminals or quick connect terminals		
Panel Thickness s	Screw: max 8 mm Mounting screw torque max 0.5Nm		
Material: Housing	Thermoplastic, black, UL 94V-0		

Dimensions

4798



A = 32.0 mm: quick-connect terminals 6.3 x 0.8 mm
 A = 30.4 mm: quick-connect terminals 4.8 x 0.8 mm
 A = 29.0 mm: solder terminals

All Variants

Panel mounting	Panel Thickness s [mm]	Terminal	Order Number
Screw	-	Quick connect terminals 6.3 x 0.8 mm	4798.9000
Screw	-	Quick connect terminals 6.3 x 0.8 mm	4798.9000.21
Screw	-	Solder terminals	4798.9200
Screw	-	Solder terminals	4798.9200.21

Most Popular.

Availability for all products can be searched real-time: <http://www.schurter.com/Stock-Check/Stock-Check-SCHURTER>

Suffix ".21" corresponds to the version with V-Lock mating cordset. The connector is equipped with a notch intended for use with the latching cordset. The cord latching system prevents against accidental removal of the cordset.

Articles for enhanced glow wire test requirements acc. IEC 60695-2-12 and -13 can be ordered with ending ".15" (xxxx.xxxx.15). They are suitable for the use in unattended household equipment acc. IEC 60335-1.

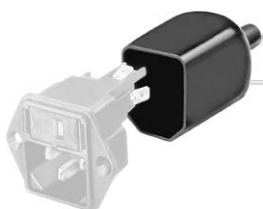
Packaging unit 100 Pcs

Accessories

Description



Wire Harness
Wire harness for SCHURTER products



Assorted Covers
Rear Cover

0859.0047



[Cord retaining kits](#)
Cord retaining strain relief

Countersunk, K

4700.0010

Mating Outlets/Connectors

Category / Description



[Connector Overview complete](#)

IEC Connector C19, Rewireable, Straight

4795

IEC Connector C19, Rewireable, Angled

4790

IEC Connector C19, Rewireable, Straight

0104U

[Connector further types to 4798](#)

Mating Outlets/Connectors shuttered



[Power Cord Overview complete](#)

Overview Power Cord with IEC Appliance Connector C19, V-Lock, straight

VAC19KS

[Power Cord further types to 4798](#)