

THE INFORMATION CONTAINED HEREIN IS CONSIDERED "PROPRIETARY" TO BEL FUSE INC. AND SHALL NOT BE COPIED, REPRODUCED OR DISCLOSED WITHOUT THE WRITTEN APPROVAL OF BEL FUSE INC.

RoHS  
2002/95/EC



## ELECTRICAL CHARACTERISTICS @ 25°C

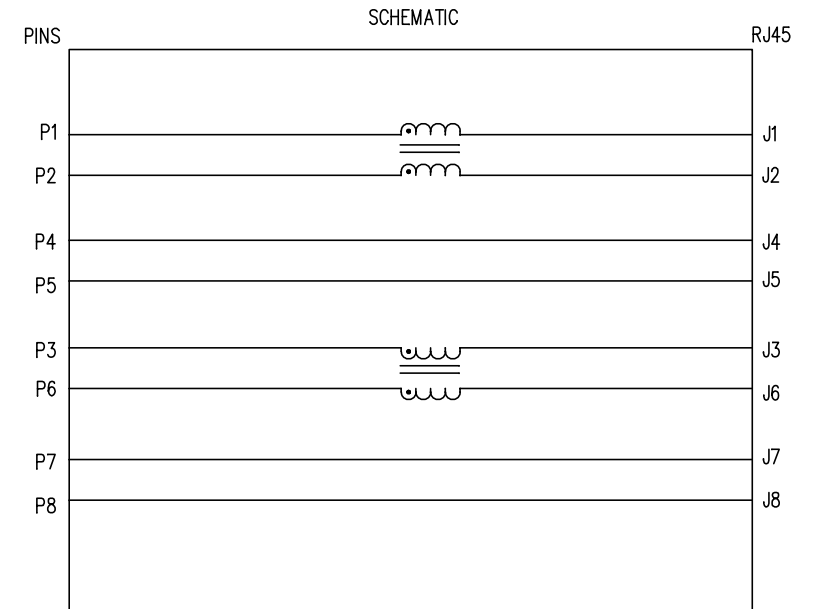
OPERATING TEMPERATURE RANGE: : -40°C TO +85°C

1.0 INDUCTANCE:(P6-J6) : (P1-J1) : 65 uH TYP @.01V, 10KHz

2.0 DC RESISTANCE: P6-J6 : .5 OHM MAX  
 P3-J3 : .5 OHM MAX  
 P2-J2 : .5 OHM MAX  
 P1-J1 : .5 OHM MAX

3.0 COMMON MODE: : CMA (-dB)

| FREQUENCY (MHz) | TYPICAL | MIN |
|-----------------|---------|-----|
| 1               | 8       | 5   |
| 5               | 17      | 15  |
| 20              | 23      | 15  |
| 70              | 25      | 20  |
| 200             | 22      | 17  |
| 500             | 11      | 6   |



### NOTES

1.0 PINS WITHOUT ELECTRICAL CONNECTION ARE OMITTED.

|                                  |                         |  |   |                               |                                     |   |  |
|----------------------------------|-------------------------|--|---|-------------------------------|-------------------------------------|---|--|
| ORIGINATED BY<br><b>Bain Liu</b> | DATE<br><b>09-01-09</b> | TITLE<br><b>MagJack®<br/>CMC<br/>TAB DOWN,SHIELDED</b> | PART NO. / DRAWING NO.<br><b>SI-60158-F</b> | STANDARD DIM.<br>TOL. IN INCH | [ ] METRIC DIM. AS REFERENCE        |   |  |
| DRAWN BY<br><b>Bain Liu</b>      | DATE<br><b>09-01-09</b> |  | FILE NAME<br><b>SI-60158-F.DWG</b>          | .X<br>.XX<br>.XXX             | UNIT : INCH [mm]<br>SCALE : N/A<br> | REV. : <b>A0</b><br>SIZE : <b>A4</b><br>PAGE : <b>2</b> |  |
|                                  |                         |  |   | ±0.005                        |                                     |   |  |

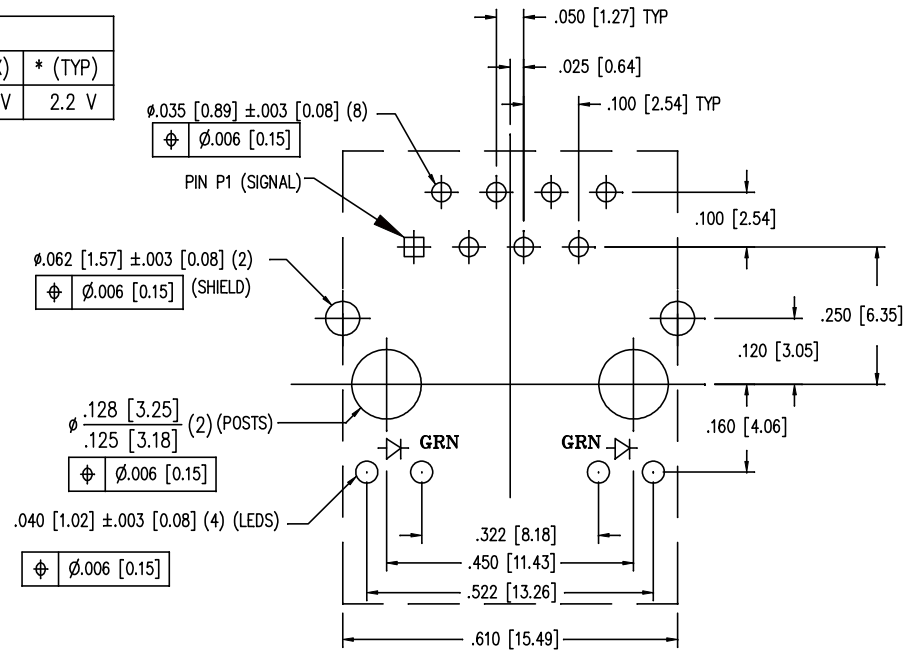
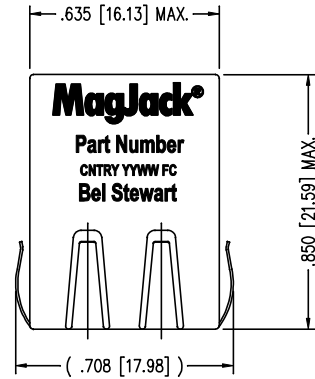
THE INFORMATION CONTAINED HEREIN IS CONSIDERED "PROPRIETARY" TO BEL FUSE INC. AND SHALL NOT BE COPIED, REPRODUCED OR DISCLOSED WITHOUT THE WRITTEN APPROVAL OF BEL FUSE INC.

RoHS  
2002/95/EC



| LED SPECIFICATION |            |                 |         |
|-------------------|------------|-----------------|---------|
| STANDARD LED      | WAVELENGTH | Forward V (MAX) | * (TYP) |
| GREEN             | 565 nm     | 2.5 V           | 2.2 V   |

\*WITH A FORWARD CURRENT OF 20 mA (TYP)

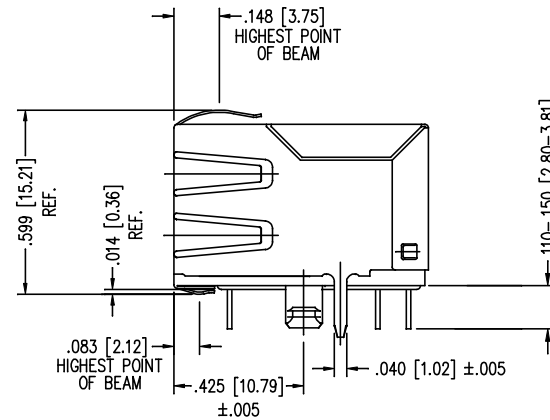
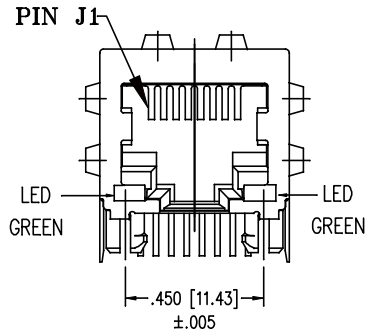


P.C.B. RECOMMENDED HOLE LAYOUT  
SEEN FROM COMPONENT SIDE

ALL CENTERLINE DIMENSIONS ARE BASIC.

NOTES:

- CONNECTOR MATERIALS:  
HOUSING: THERMOPLASTIC UL94 V-0  
CONTACT/SHIELD: COPPER ALLOY  
SHIELD PLATING: NICKEL OR TIN  
CONTACT PLATING: SELECTIVE GOLD,  
50 MICRO-INCHES MIN. IN CONTACT AREA.
- PIN NOT ELECTRICALLY CONNECTED MAYBE OMITTED.  
SEE ELECTRICAL DRAWING FOR OMITTED PINS.
- TOLERANCES COMPLY WITH F.C.C. DIMENSION REQUIREMENTS.
- ALL TOLERANCES NOT OTHERWISE SPECIFIED TO BE ±0.005 [0.13]
- WAVE SOLDER COMPATIBLE - PREHEAT 125°C/90SECS.



|               |          |   |
|---------------|----------|---|
| ORIGINATED BY | DATE     | TITLE   |
| Bain Liu      | 09-01-09 | <b>MagJack<sup>®</sup></b><br>CMC<br>TAB DOWN, SHIELDED |
| DRAWN BY      | DATE     |   |
| Bain Liu      | 09-01-09 |   |

|                        |               |                              |
|------------------------|---------------|------------------------------|
| PART NO. / DRAWING NO. | STANDARD DIM. | [ ] METRIC DIM. AS REFERENCE |
| SI-60158-F             | TOL. IN INCH  | UNIT : INCH [mm]             |
| FILE NAME              | .X            | REV. : A0                    |
| SI-60158-F.DWG         | .XX           | SCALE : N/A                  |
|                        | .XXX          | ±0.005                       |
|                        |               | PAGE : 3                     |

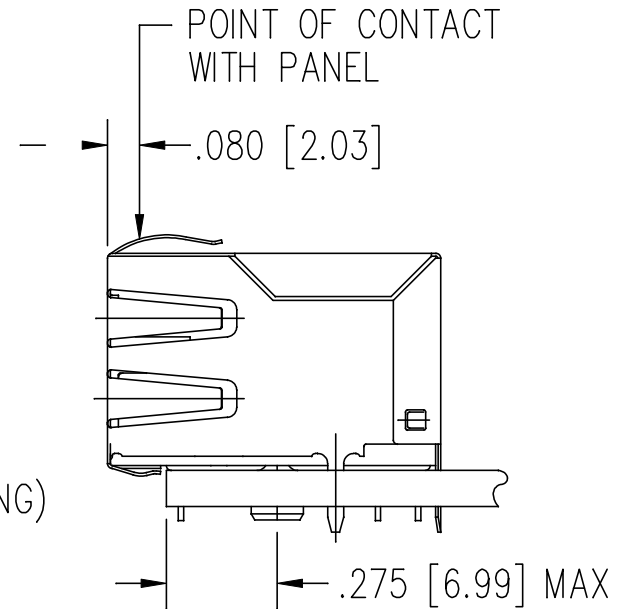
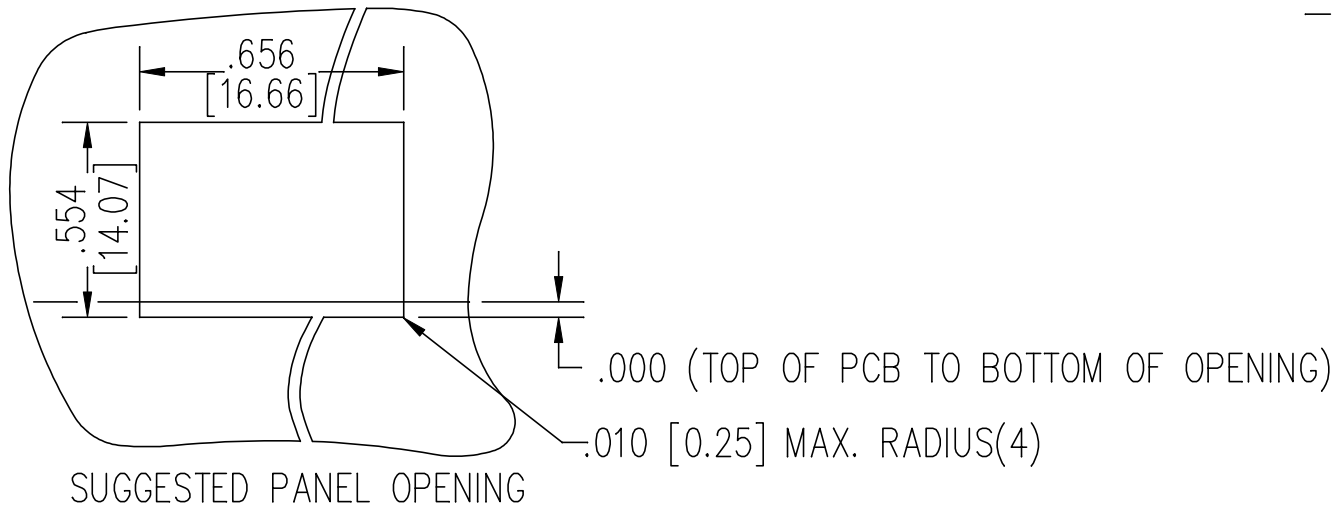
|               |                              |
|---------------|------------------------------|
| STANDARD DIM. | [ ] METRIC DIM. AS REFERENCE |
| TOL. IN INCH  | UNIT : INCH [mm]             |
| .X            | REV. : A0                    |
| .XX           | SCALE : N/A                  |
| .XXX          | ±0.005                       |
|               | PAGE : 3                     |

|               |                              |
|---------------|------------------------------|
| STANDARD DIM. | [ ] METRIC DIM. AS REFERENCE |
| TOL. IN INCH  | UNIT : INCH [mm]             |
| .X            | REV. : A0                    |
| .XX           | SCALE : N/A                  |
| .XXX          | ±0.005                       |
|               | PAGE : 3                     |



THE INFORMATION CONTAINED HEREIN IS CONSIDERED "PROPRIETARY" TO BEL FUSE INC. AND SHALL NOT BE COPIED, REPRODUCED OR DISCLOSED WITHOUT THE WRITTEN APPROVAL OF BEL FUSE INC.

RoHS  
2002/95/EC



1. THE SUGGESTED PANEL OPENING IS INTENDED TO GIVE THE USER THE ABILITY TO HAVE REASONABLE JACK / PANEL CLEARANCES YET MAINTAIN RELIABLE GROUNDING CAPABILITY.
2. ALL TOLERANCES NOT OTHERWISE SPECIFIED TO BE  $\pm 0.005$  [0.13]

|                                  |                         |   |   |                               |                              |   |
|----------------------------------|-------------------------|---|---|-------------------------------|------------------------------|---|
| ORIGINATED BY<br><b>Bain Liu</b> | DATE<br><b>09-01-09</b> | TITLE<br><b>MagJack®<br/>CMC<br/>TAB DOWN, SHIELDED</b> | PART NO. / DRAWING NO.<br><b>SI-60158-F</b> | STANDARD DIM.<br>TOL. IN INCH | [ ] METRIC DIM. AS REFERENCE | <b>bel</b><br>COMPONENTS FOR A<br>CONNECTED<br>PLANET |
| DRAWN BY<br><b>Bain Liu</b>      | DATE<br><b>09-01-09</b> | FILE NAME<br><b>SI-60158-F.DWG</b>                      | .X  | UNIT : INCH [mm]              | REV. : <b>A0</b>             |   |
|                                  |                         |   | .XX   | SCALE : <b>N/A</b>            | SIZE : <b>A4</b>             |   |
|                                  |                         |   | .XXX  | $\pm 0.005$                   | PAGE : <b>4</b>              |   |