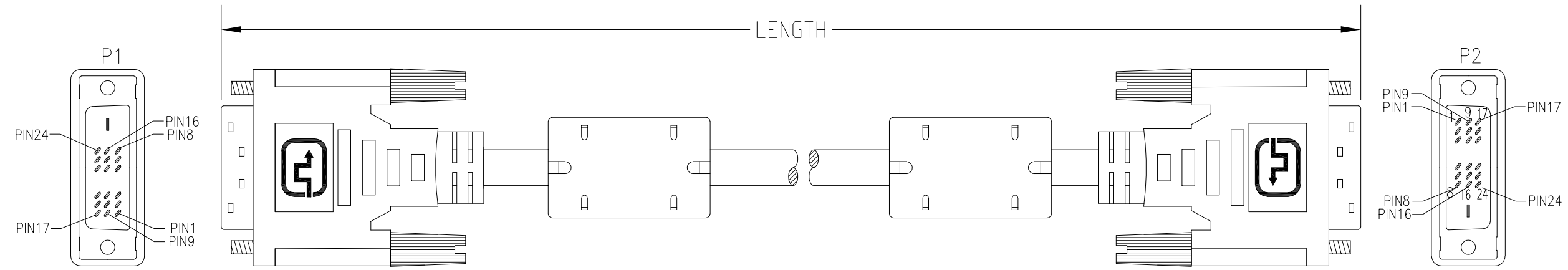
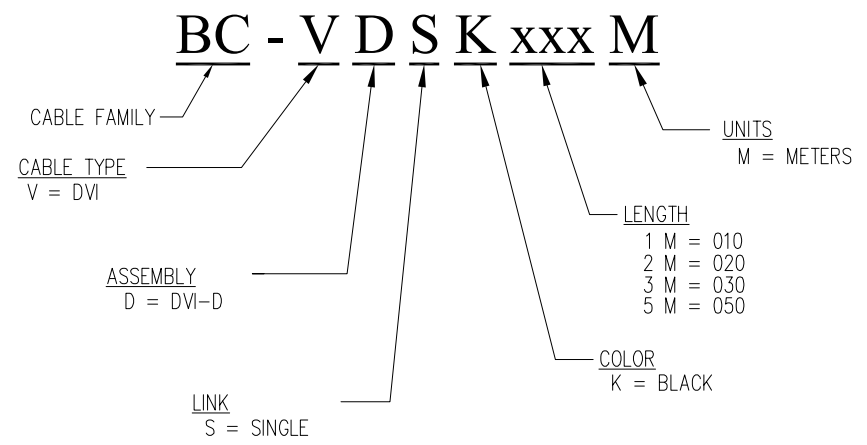


DATE	REV	ECN	APP'D. BY
11/06/19	A0	-	JME
12/04/19	A1	11483	ADB



PART NUMBER KEY

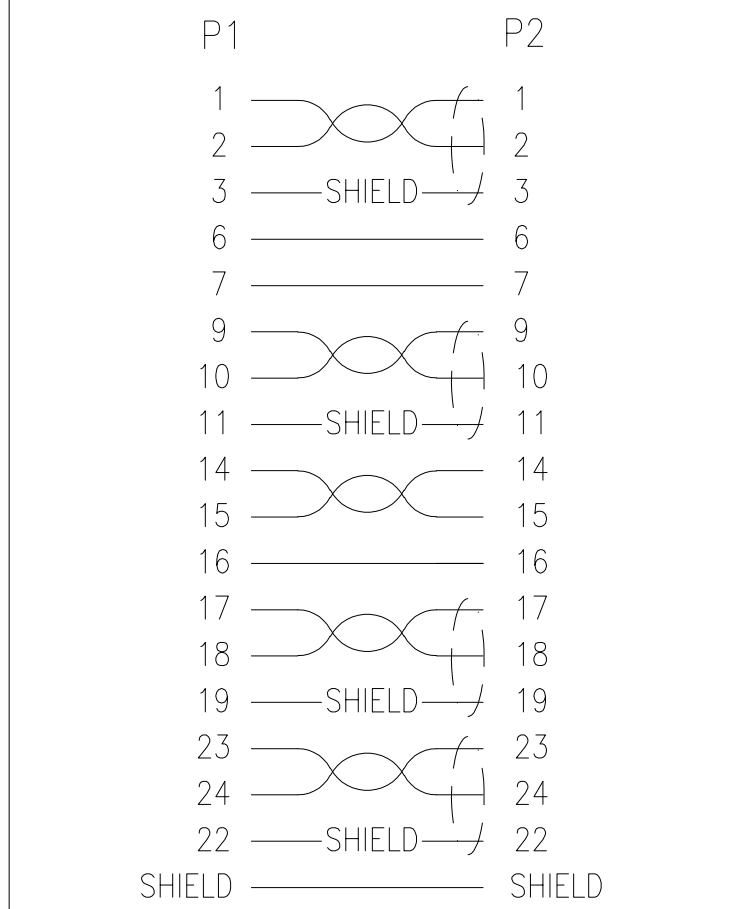


O/A Length Tolerance:

Metric	
0 ~ 200mm	±10mm
201 ~ 1000mm	±20mm
1001 ~ 1500mm	±25mm
1501 ~ 2100mm	±30mm
>2100mm	±40mm

Imperial	
0 ~ 1ft	±0.5in
2ft ~ 3ft	±0.75in
4ft ~ 7ft	±1.0in
> 7ft	±1.5in

WIRING MAP



TYPICAL PART NUMBERS	
PART NUMBER	LENGTH METERS [FEET]
BC-VDSK010M	1 [3.28]
BC-VDSK020M	2 [6.56]
BC-VDSK030M	3 [9.84]
BC-VDSK050M	5 [16.4]

FOR PART NUMBERS NOT SHOWN FOLLOW PART NUMBER KEY FORMAT

NOTES:

- EACH CABLE ASSEMBLY INDIVIDUALLY BAGGED
- CONNECTOR (P1): DVI 19 MALE, GOLD PLATING ON CONTACTS, GOLD CONNECTOR, BLACK INSULATOR
- CONNECTOR (P2): DVI 19 MALE, GOLD PLATING ON CONTACTS, GOLD CONNECTOR, BLACK INSULATOR
- WIRE CONSTRUCTION: UL20276; BLACK JACKET, OD 0.287" [7.3 mm]
- FERRITE CORE: 0.7 x 1.12 x 0.41", MOLDED BLACK PVC

THIRD ANGLE PROJECTION

DO NOT SCALE DRAWING
DRAWING IS SUBJECT TO CHANGE WITHOUT NOTICE
DIMENSIONS: INCHES [METRIC]
UNLESS OTHERWISE SPECIFIED TOLERANCES ARE ±.005 [0.13] ANGLES ARE ± 1°
SHEET NO. 1 OF 1

206 Van Vorst Street
Jersey City, NJ 07302
+1 201 432 0463
<http://www.belfuse.com>

TITLE: DVI-D SINGLE LINK TO DVI-D SINGLE LINK (18+1 TYP.) CABLE WITH FERRITE CORE

DRN BY: BTS	DATE: 11/06/19
APPD BY: JME	DATE: 11/06/19
DWG NO. CT999210	REV. A1

