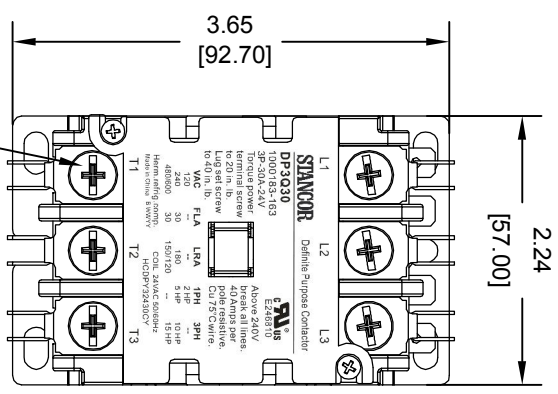


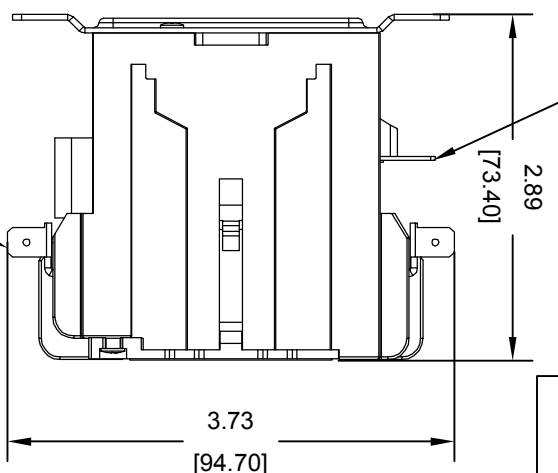
POLES	COIL VAC	FLA	RES	TERMINATION	COVER	INDIVIDUAL BOX
3	24VAC 50/60HZ	30	40	#10-32 Binding Head Screws 2 Quick Connect Power Termination	YES	YES

COIL DATA
COIL 24VAC 50/60HZ 7 OHM 18 VAC OPERATE 3.8-16.3 VAC DROPOUT 82 VA INRUSH 14 VA SEAL MAX VOLTAGE 26.4 VAC

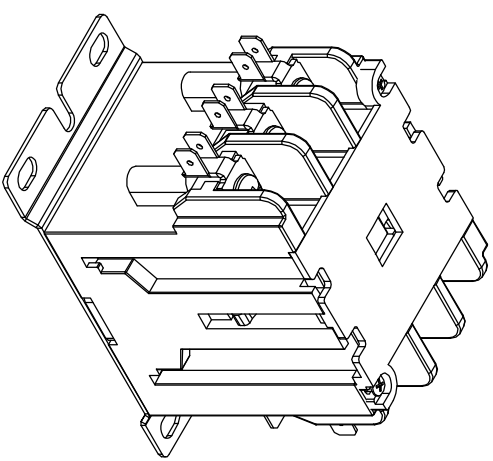
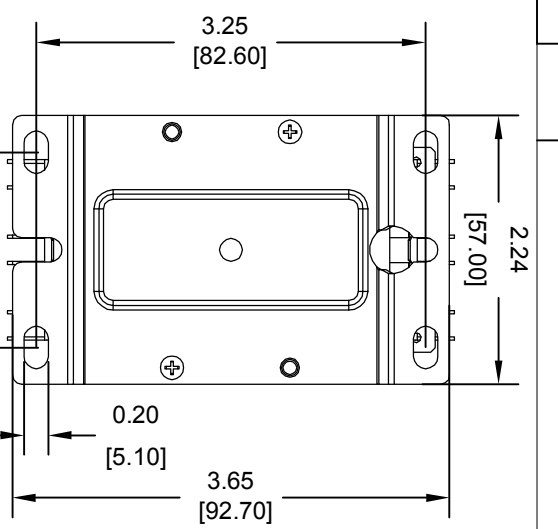
NOTES: UNLESS OTHERWISE SPECIFIED



#10-32 BINDING HEAD SCREWS (6 PCS)



2X 250X.032 MALE QUICK CONNECT (6 PCS)



2.76 [70.00]	2.05 [52.00]
STANCOR Define Purpose Contactor	HCDPY32430CY B WVVVY Made in China
Enclosure: OPEN	
Power Poles: 3	FLA 30 RES 40
Amp Rating: 30	24VAC 50/60Hz
Coil Voltage: 24VAC	
DP3Q30 1000183-163 3P-30A-24V	

Individual Box Label

2.17 [55.00]	1.89 [48.00]
DP3Q30 1000183-163 3P-30A-24V HCDPY32430CY QTY.: 25PCS	

Master Carton Label

L1	L2	L3
STANCOR Define Purpose Contactor DP3Q30 1000183-163 3P-30A-24V Above 240V Break all lines, terminal screw to 20 in. lb. Lug set screw to 40 in. lb. VAC FLA LRA IPH 3PH 240 30 180 5HP 10HP 480V 30 150V 5HP 15HP HARMONIC CTN COL. 24VAC 50/60HZ HCDPY32430CY Made in China, B WVVVY	STANCOR Define Purpose Contactor E246810 Above 240V break all lines, 40 Amps per pole resistive, Cu 75 C/wire.	
T1	T2	T3

Product Label

TOLERANCE	INCHES [mm]
X	+0.06 [-1.50]
X.X	+0.02 [-1.50]
X.XX	+0.006 [-1.50]
X.XXX	+0.002 [-1.50]
ANGLES	±1°

REV.	DESCRIPTION	EGN.	DOWN	APPD	DATE

THIRD ANGLE PROJECTION

DESC.	3P-30A-24V	CHECKED BY	CHECKED DATE
PART NO.	DP3Q30		

2425 South 21st Street
STANCOR
Phoenix, AZ 85034
www.stancor.com
(602)275-3800

PAGE 1 OF 1