



3000 | SERIES

TEMPERATURE SENSOR PROBES

Ideal solution for monitoring and regulating temperature in equipment and processes. It offers the choice of thermistor or RTD temperature sensing technology. Since no single technology is optimal for every application, the 3000 series offers several thermal sensing options, each of which offers unique advantages.

The 3000 series offers the advantage of today's best temperature sensing technology in standard, low-cost probe assemblies that ensure the technology performs accurately and reliably in demanding applications. Whether surface, liquid, or ambient air sensing is required, the 3000 series is an optimal probe assembly. Flexible leads suitable for welding or soldering provide reliable connections and greater access to remote locations.



Features

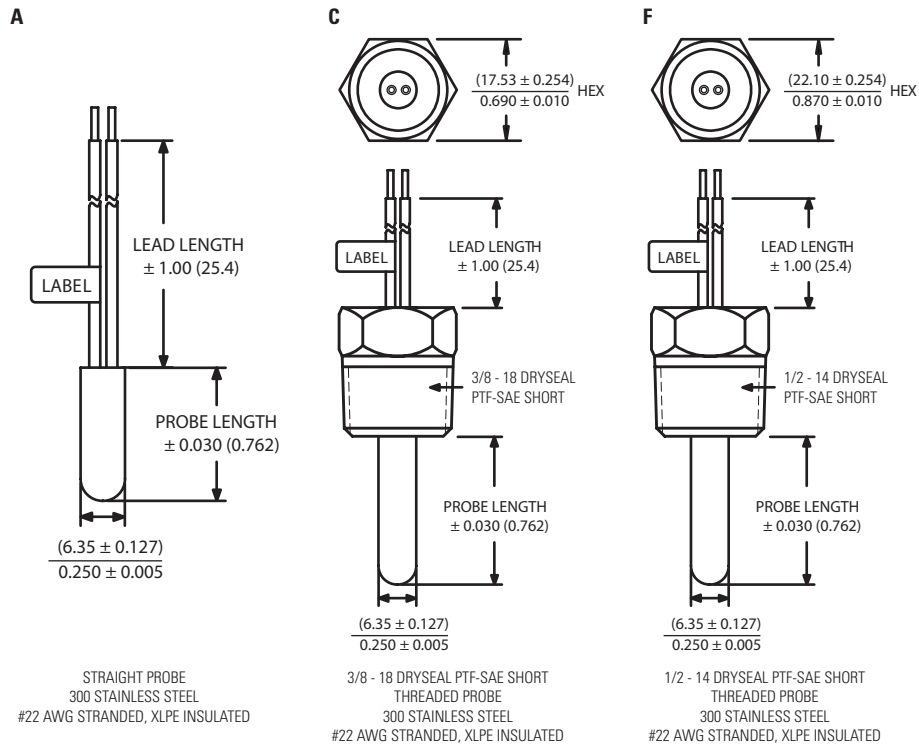
- Stainless steel probe assemblies
- Thermistor, or RTD sensing technologies
- Ideal for immersion, surface and air sensing

Applications

- Surface, liquid, or air temperature sensing
- Control systems

ACCESSORIES AND OPTIONS

Body Style



SENSOR SELECTION

Code	Type	Input	Output	Output Change W/ Temperature	Sense Element Tolerance	Temperature Range
10	RTD	1 mA	100Ω at 0°C	0.385Ω per °C	±0.15°C at 0°C	-40°C to 125°C
31	THERMISTOR	0.4 mA	10,000Ω at 25°C	NON-LINEAR (NTC)	±0.6°C at 25°C	-40°C to 125°C

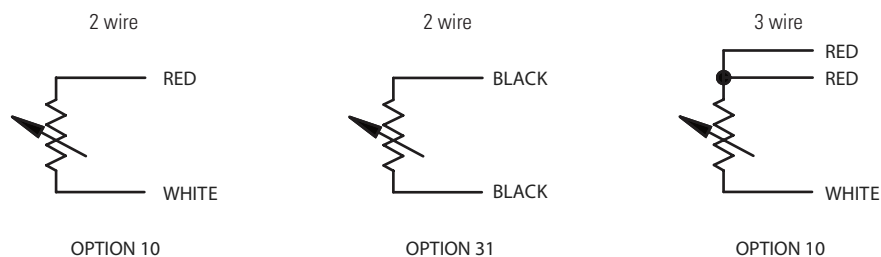
Notes:

- Consult Sensata for other less standard temperature sensing options

NUMBER OF WIRES

CODE	SENSOR WIRING
2	Wires for sensor codes 10, 31
3	Wires for sensor codes 10

WIRE COLOR SCHEMATIC



ORDERING OPTIONS

(Example : 3A0310206A)

*Consult Sensata for other less standard temperature sensing options

3A = 3000 series, straight probe, 03 = 1.5" length, 10 = RTD, 2 = 2 wire, 06 = 6" leads, A = cut & stripped

	3	A	03	10	2	06	A
Family							
3000 Series							
Body Style							
A, C, F							
See Body Style Table							
Probe Length							
XX = Sheath length in half inches (1.0" length minimum, XX = 02)							
Sensor Selection							
10, 31							
See Sensor Selection Table							
Number of Wires							
See Number of Wire Table							
Lead Length							
XX = Lead Length in inches (6" length minimum, XX = 06)							
Lead Termination							
A - Cut & Stripped Z - Consult Factory							

WARNINGS



RISK OF MATERIAL DAMAGE AND HOT ENCLOSURE

- The product's side panels may be hot, allow the product to cool before touching
- Follow proper mounting instructions including torque values
- Do not allow liquids or foreign objects to enter this product

Failure to follow these instructions can result in serious injury, or equipment damage.

Sensata Technologies, Inc. ("Sensata") data sheets are solely intended to assist designers ("Buyers") who are developing systems that incorporate Sensata products (also referred to herein as "components"). Buyer understands and agrees that Buyer remains responsible for using its independent analysis, evaluation and judgment in designing Buyer's systems and products. Sensata data sheets have been created using standard laboratory conditions and engineering practices. Sensata has not conducted any testing other than that specifically described in the published documentation for a particular data sheet. Sensata may make corrections, enhancements, improvements and other changes to its data sheets or components without notice.

Buyers are authorized to use Sensata data sheets with the Sensata component(s) identified in each particular data sheet. HOWEVER, NO OTHER LICENSE, EXPRESS OR IMPLIED, BY ESTOPPEL OR OTHERWISE TO ANY OTHER SENSATA INTELLECTUAL PROPERTY RIGHT, AND NO LICENSE TO ANY THIRD PARTY TECHNOLOGY OR INTELLECTUAL PROPERTY RIGHT, IS GRANTED HEREIN. SENSATA DATA SHEETS ARE PROVIDED "AS IS". SENSATA MAKES NO WARRANTIES OR REPRESENTATIONS WITH REGARD TO THE DATA SHEETS OR USE OF THE DATA SHEETS, EXPRESS, IMPLIED OR STATUTORY, INCLUDING ACCURACY OR COMPLETENESS. SENSATA DISCLAIMS ANY WARRANTY OF TITLE AND ANY IMPLIED WARRANTIES OF MERCHANTABILITY, FITNESS FOR A PARTICULAR PURPOSE, QUIET ENJOYMENT, QUIET POSSESSION, AND NON-INFRINGEMENT OF ANY THIRD PARTY INTELLECTUAL PROPERTY RIGHTS WITH REGARD TO SENSATA DATA SHEETS OR USE THEREOF.

All products are sold subject to Sensata's terms and conditions of sale supplied at www.sensata.com SENSATA ASSUMES NO LIABILITY FOR APPLICATIONS ASSISTANCE OR THE DESIGN OF BUYERS' PRODUCTS. BUYER ACKNOWLEDGES AND AGREES THAT IT IS SOLELY RESPONSIBLE FOR COMPLIANCE WITH ALL LEGAL, REGULATORY AND SAFETY-RELATED REQUIREMENTS CONCERNING ITS PRODUCTS, AND ANY USE OF SENSATA COMPONENTS IN ITS APPLICATIONS, NOTWITHSTANDING ANY APPLICATIONS-RELATED INFORMATION OR SUPPORT THAT MAY BE PROVIDED BY SENSATA.

Mailing Address: Sensata Technologies, Inc., 529 Pleasant Street, Attleboro, MA 02703, USA.

CONTACT US

Americas

+1 (888) 438 2214
sensors@sensata.com

Europe, Middle East & Africa

+31 (74) 357 8156
temperature-info.eu@sensata.com

Asia Pacific

sales.isasia@list.sensata.com
China +86 (21) 2306 1500
Japan +81 (45) 277 7117
Korea +82-10-9218-1179
India +91 (80) 67920890
Rest of Asia +886 (2) 27602006
ext 2808