

Product data sheet

Specifications



distributed IO module, Modicon TM3, IP20 optimized bus coupler, Ethernet interface

TM3BCEIP

Product availability: Stock - Normally stocked in distribution facility

Main

Range of Product	Modicon TM3
Product Compatibility	Logic controller Motion controller
Product or Component Type	I/O distributed module
Product Specific Application	Bus coupler module

Complementary

Communication Port Protocol	Ethernet IP/Modbus TCP
Connector type	RJ45 2 Ethernet daisy chain isolated USB device port Mini-B
Exchange mode	Half duplex, full duplex, autonegotiation
Transmission Rate	10/100 Mbit/s
Topology	Daisy chain
Port Ethernet	10/100BASE-T
Communication Network Type	Ethernet IP Modbus TCP IPv4 (internet protocol)
Communication Service	Ethernet/IP adapter Modbus TCP/IP server RSTP (Ring topology support) SNMP Web server DHCP client BOOTP Address conflict detection FTP server
Web services	Web server, Ethernet Web server, USB
Current consumption	0.8 A 24 V DC internal supply maximum 7 expansion modules
Local signalling	1 LED green/red PWR (System Status) 1 LED green/red MS (Module Status) 1 LED green/red NS (Network Status) 1 LED green/red I/O status
Fixing mode	By clipping locks (rail) By screws (mounting plate)
Product Certifications	CE cULus EAC RCM UKCA EU-RO MR

Price is "List Price" and may be subject to a trade discount – check with your local distributor or retailer for actual price.

Standards	IEC 61131-2 UL/CSA 61010-1 UL/CSA 61010-2-201
Width	1.06 in (27 mm)
Height	3.8 in (96.5 mm)
Depth	2.8 in (70 mm)
Net Weight	0.22 lb(US) (0.10 kg)

Environment

Ambient Air Temperature for Storage	-13...158 °F (-25...70 °C)
pollution degree	2
Ambient Air Temperature for Operation	14...140 °F (-10...60 °C)
IP degree of protection	IP20 conforming to IEC/EN 61010-2-201
Relative Humidity	10...95 % non-condensing
Operating altitude	0...6561.68 ft (0...2000 m)
Storage altitude	0...9842.5 ft (0...3000 m)
Vibration resistance	3M4 35 x 15 mm symmetrical DIN rail

Ordering and shipping details

Category	US10MSX22533
Discount Schedule	0MSX
GTIN	3606489703530
Returnability	Yes
Country of origin	US

Packing Units

Unit Type of Package 1	PCE
Number of Units in Package 1	1
Package 1 Height	2.91 in (7.400 cm)
Package 1 Width	4.09 in (10.400 cm)
Package 1 Length	4.92 in (12.500 cm)
Package 1 Weight	6.279 oz (178.000 g)
Unit Type of Package 2	S03
Number of Units in Package 2	18
Package 2 Height	11.81 in (30.000 cm)
Package 2 Width	11.81 in (30.000 cm)
Package 2 Length	15.75 in (40.000 cm)
Package 2 Weight	8.466 lb(US) (3.840 kg)



Environmental Data

Schneider Electric aims to achieve Net Zero status by 2050 through supply chain partnerships, lower impact materials, and circularity via our ongoing “Use Better, Use Longer, Use Again” campaign to extend product lifetimes and recyclability.

[Environmental Data explained >](#)


[How we assess product sustainability >](#)

Environmental footprint	
Carbon footprint (kg CO2 eq, Total Life cycle)	158
Environmental Disclosure	Product Environmental Profile

Use Better

Materials and Substances	
Packaging made with recycled cardboard	Yes
Packaging without single use plastic	Yes
EU RoHS Directive	Pro-active compliance (Product out of EU RoHS legal scope)
SCIP Number	3b9533ee-f829-495f-9b87-8bb0822090f1
REACH Regulation	REACH Declaration
California proposition 65	WARNING: This product can expose you to chemicals including: Lead and lead compounds, which is known to the State of California to cause cancer and birth defects or other reproductive harm. For more information go to www.P65Warnings.ca.gov
PVC free	Yes

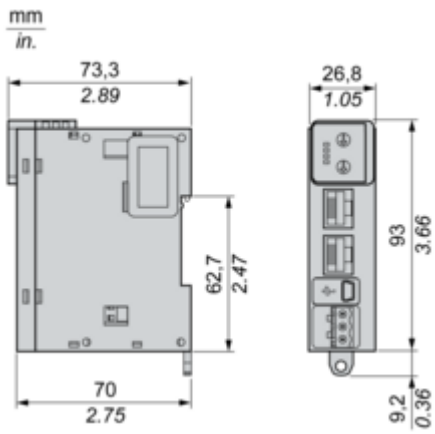
Use Again

Repack and remanufacture	
Circularity Profile	End of Life Information
Take-back	No
WEEE	 The product must be disposed on European Union markets following specific waste collection and never end up in rubbish bins.

Dimensions Drawings

Dimensions

Side and Front Views



Mounting and Clearance

Spacing Requirements

