

REVISION

0	TP	R SKEES
3/28/2006	ECN-57702	ISSUE FOR REVIEW
A	TP	L PAPP
10/30/2007	ECN-82491	RELEASE FOR PRODUCTION & CHG PACKAGING FROM BULK TO TAPE & REEL
B	JB	L PAPP
6/12/2009	ECN-111850	NOTES: ADD NOTE 4
C	JB	J Hahn
9/15/2009	ECN-116805	RECOMMENDED FOOTPRINT PATTERN: ADD DIMS 0.6±0.05 & 1.00±0.05

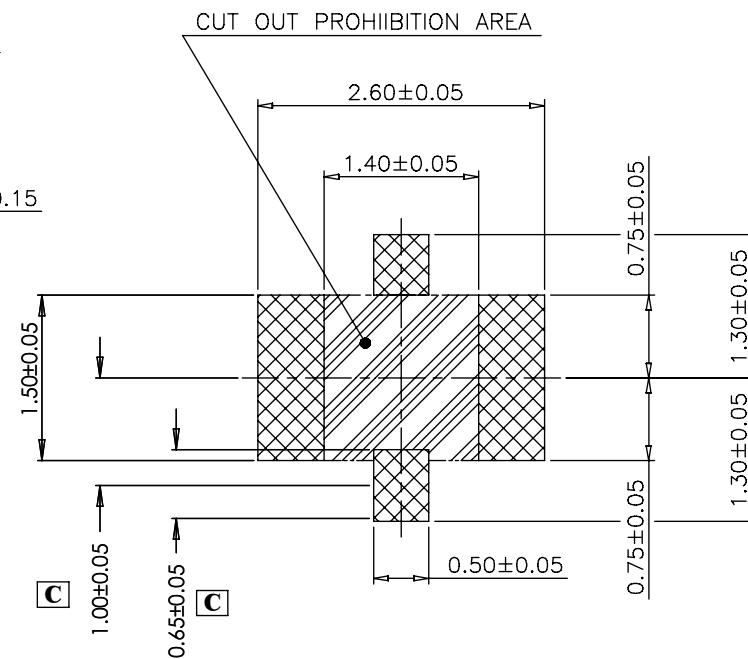
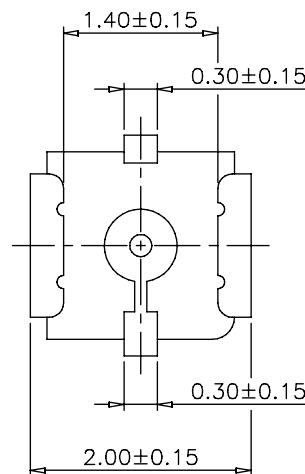
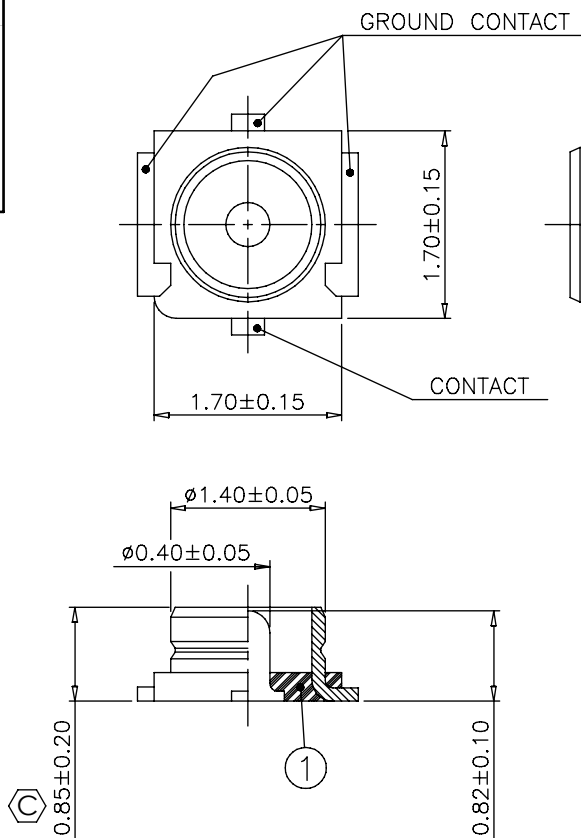
NOTES:

1. NOT AVAILABLE AS STANDARD.
2. Ⓢ REPRESENTS A CRITICAL DIMENSION.
3. PARTS TO BE PACKAGED IN TAPE & REEL.
4. MULTIPLES OF 2500 REQUIRED TO PACKAGE ON A REEL. QUANTITIES UNDER 2500 PCS WILL BE SHIPPED IN POCKETS WITH COVER TAPE BUT NOT ON A REEL.

SPECIFICATIONS:

ELECTRICAL RATINGS

Impedance	50 ohm
Applicable Frequency	0 ~ 6 GHz
V.S.W.R.	1.5 max.



RECOMMENDED FOOTPRINT PATTERN

ACCEPTANCE OF DRAWING
ACCEPTED WITH DEVIATIONS LISTED

DATE: _____
 COMPANY: _____
 CUSTOMER SIGNATURE
 PRINTED NAME _____
 PHONE NO: _____
 FAX NO: _____

UNLESS OTHERWISE SPECIFIED,
 DIMENSIONS ARE IN MILLIMETERS.
 TOLERANCES ARE:
 DECIMALS ANGLES
 .XX: ±.10 5°
 .XXX: ±.05

PROPRIETARY NOTE

THIS DOCUMENT CONTAINS INFORMATION
 CONFIDENTIAL AND PROPRIETARY TO
 SAMTEC, INC. AND SHALL NOT BE REPRODUCED
 OR TRANSFERRED TO OTHER DOCUMENTS OR
 DISCLOSED TO OTHERS OR USED FOR ANY
 PURPOSE OTHER THAN THAT WHICH IT WAS
 OBTAINED WITHOUT THE EXPRESSED WRITTEN
 CONSENT OF SAMTEC, INC.



520 PARK EAST BLVD., NEW ALBANY, IN 47150
 PHONE: 812-944-6733 FAX: 812-948-5047
 fromparent+e-Mail: info@SAMTEC.com code: 55322

DO NOT SCALE DRAWING

SHEET SCALE: 1:1

DESCRIPTION:
 I-PEX MHF III CONNECTOR RECEPTACLE

DWG. NO.
 RSP-122811-02

BY: TIM P. 03/28/2006 SHEET 1 OF 1

ITEM NO.	PART NUMBER
1	RSP-122811-02