

0,50mm MICRO HEADER BTH SERIES

SPECIFICATIONS

For complete specifications see www.samtec.com?BTH

Insulator Material:
Liquid Crystal Polymer

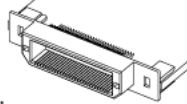


Terminal Material:
Phosphor Bronze
Current Rating:
1.25A @ 80°C ambient & 5mm Stack Height
Operating Temp Range:
-65°C to +125°C
Voltage Rating:
125 VAC mated with BSH & 5mm Stack Height
Plating:
Au over 50µ" (1,27µm) Ni

Mates with:
BSH

APPLICATION SPECIFIC

Edge Mount header capability. Contact Samtec Interconnect Processing Group. www.samtec.com/standard_products/processing_information/ipg.asp



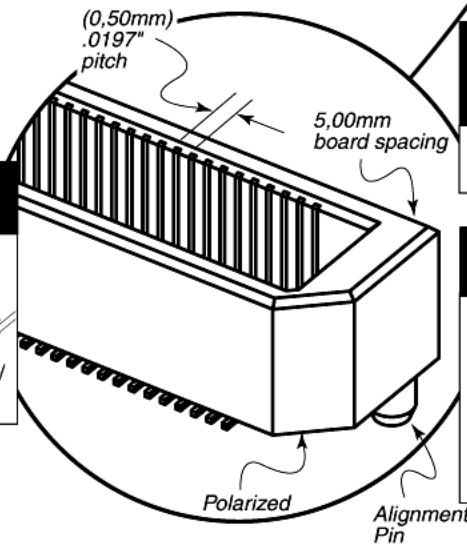
APPLICATION SPECIFIC OPTION

30µ" (0,76µm) Gold available. Call Samtec.

STACK HEIGHT CAPABILITY

LEAD STYLE	STANDARD MATED HEIGHT
-01	(5,00) .197

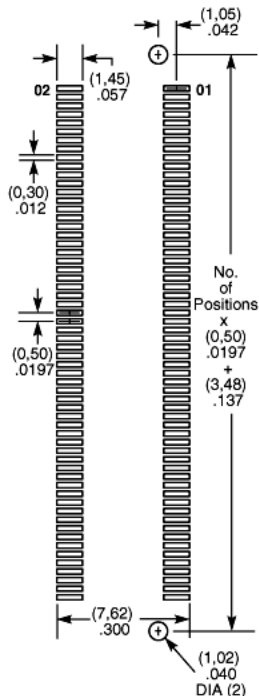
8mm, 11mm, 16mm, 19mm and 22mm Stack Height Capability. Call Samtec for availability.



Note: Some lengths, styles and options are non-standard, non-returnable.

Processing:

Max Processing Temp:
230°C for 60 seconds
SMT Lead Coplanarity:
(0,10mm).004" max (030-090)
(0,15mm).006" max (120-150)
Board Stacking:
Maximum two connectors per board recommended. For applications requiring more contact ipg@samtec.com
Suggested PCB Layouts:
For reference only. Go to www.samtec.com?BTH for recommended PCB layout.

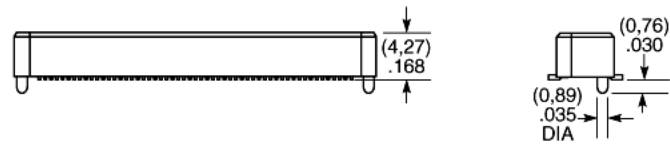


-030, -050, -060, -090, -120, -150

-F = Gold Flash
-L = 10µ" (0,25µm) Gold

-K = (7,00mm) .276" DIA Polyimide Film Pick & Place Pad

-TR = Tape and Reel (120 positions maximum)



Due to technical progress, all designs, specifications and components are subject to change without notice.

WWW.SAMTEC.COM