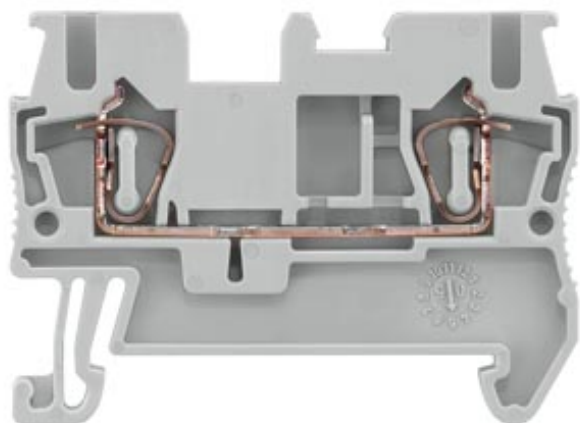


Through-type terminals with spring-loaded connection, Cross section:
0.08-2.5 mm², Width: 5.2mm, Color: gray



Model	
product brand name	ALPHA
product designation	ALPHA FIX terminal blocks
design of terminal / terminal levels internally linked	No
General technical data	
terminal contact spacing	5.2 mm
operating voltage / rated value	800 V
Protection class	
combustibility class acc. to UL 94	V0
Main circuit	
operational current / rated value	31 A
Appearance	
color	grey
Product details	
product component / required / end cover plate	No
Number	

number of terminal levels	1
number of terminal points / per terminal level	2

Connections

stripped length	10 mm
connectable conductor cross-section / solid	<ul style="list-style-type: none"> • minimum 0.08 mm² • maximum 4 mm²
connectable conductor cross-section / stranded	<ul style="list-style-type: none"> • minimum 0.08 mm² • maximum 4 mm²
connectable conductor cross-section / finely stranded	<ul style="list-style-type: none"> • with core end processing / minimum 0.08 mm² • with core end processing / maximum 2.5 mm² • without core end processing / minimum 0.08 mm² • without core end processing / maximum 2.5 mm²
type of electrical connection	<ul style="list-style-type: none"> • 1 spring-loaded terminal • 2 spring-loaded terminal
position / of the terminal	top

Mechanical Design

fastening method	DIN rail 35 mm
net weight	6 g
material / of the insulating body	Other

Environmental conditions

ambient temperature / during operation	<ul style="list-style-type: none"> • minimum -25 °C • maximum 55 °C
--	---

Certificates

design tested acc. to type of protection / EEx e	No
--	----

General Product Approval	Declaration of Conformity	other
---------------------------------	----------------------------------	--------------



[Miscellaneous](#)

Further information

Information- and Downloadcenter (Catalogs, Brochures,...)

<http://www.siemens.com/lowvoltage/catalogs>

Industry Mall (Online ordering system)

<https://mall.industry.siemens.com/mall/en/en/Catalog/product?mfb=8WH2000-0AF00>

Service&Support (Manuals, Certificates, Characteristics, FAQs,...)

<https://support.industry.siemens.com/cs/ww/en/ps/8WH2000-0AF00>

Image database (product images, 2D dimension drawings, 3D models, device circuit diagrams, ...)

http://www.automation.siemens.com/bilddb/cax_en.aspx?mlfb=8WH2000-0AF00

CAX-Online-Generator

<http://www.siemens.com/cax>

Tender specifications

<http://www.siemens.com/specifications>