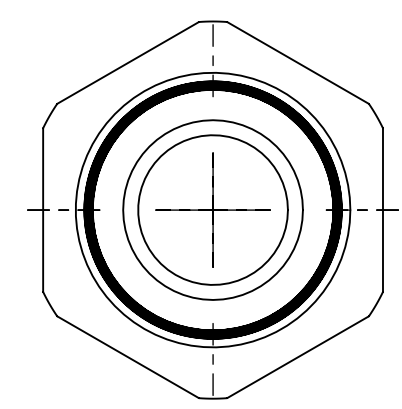
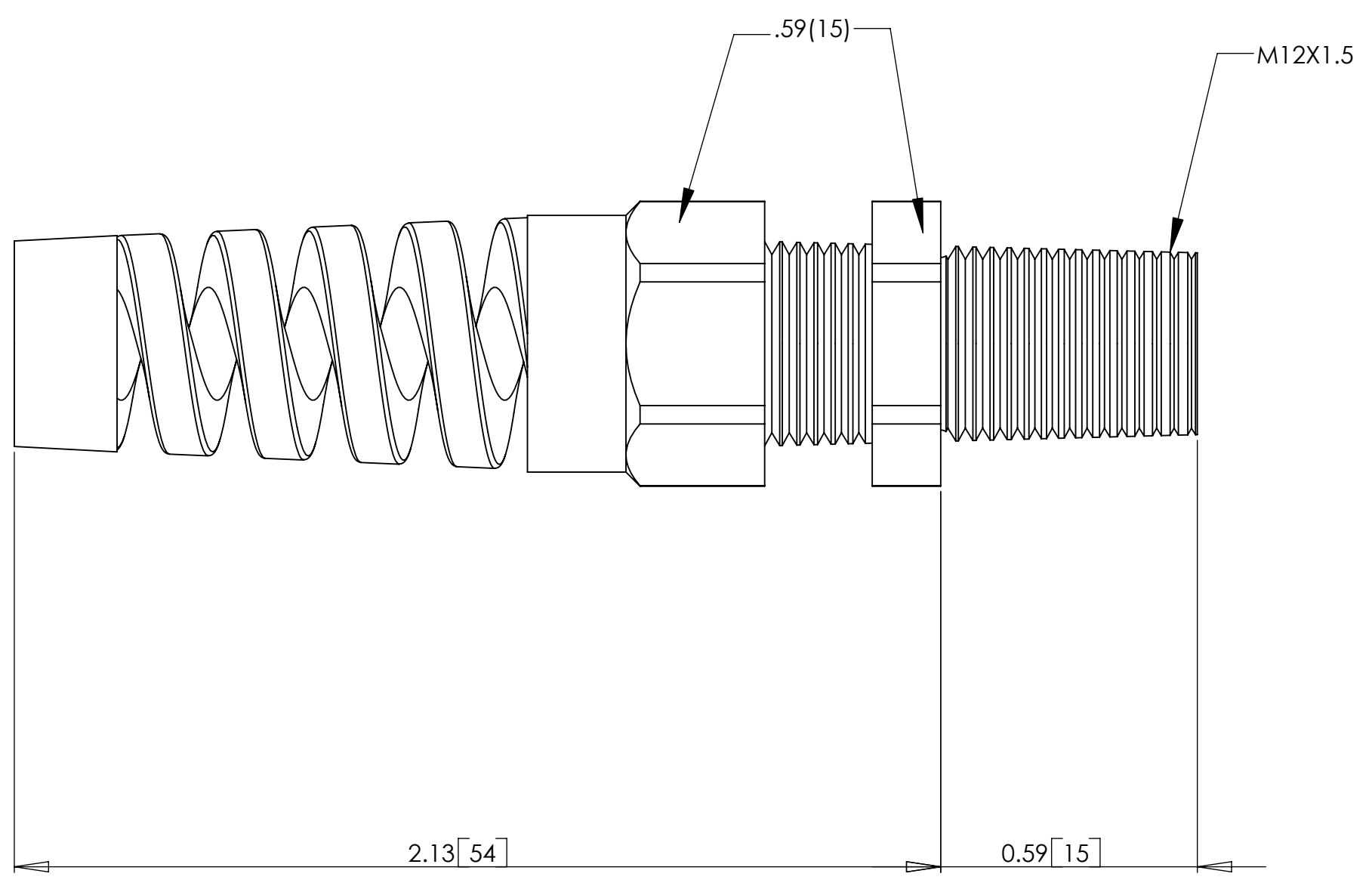
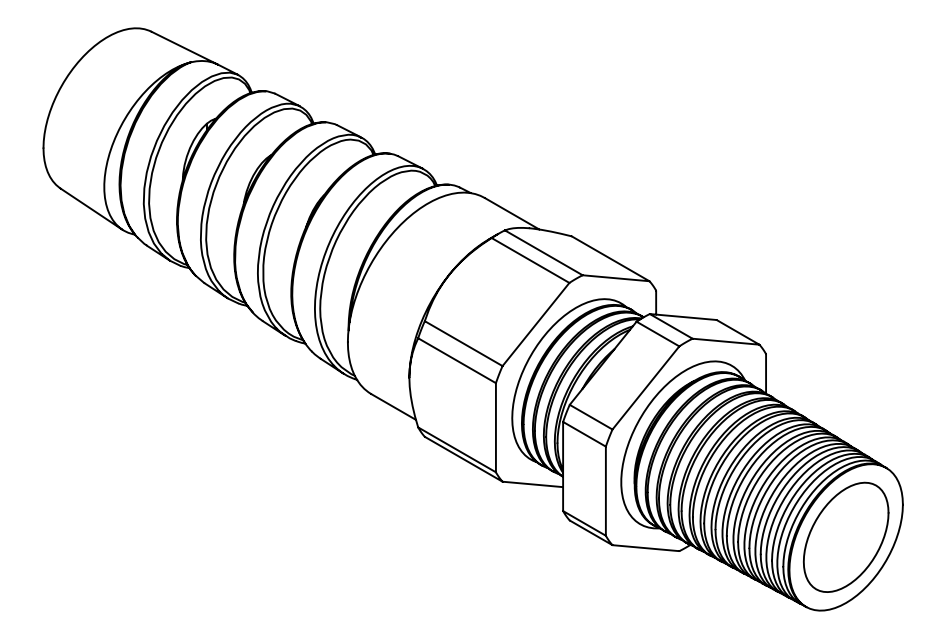


4

3

2

1



NOTES:

- 1) GENERAL DIMENSIONS DRAWINGS.
- 2) DIMENSIONS [] ARE IN INCHES.
- 3) DIMENSIONS NOTED ARE FOR REFERENCE ONLY.

Third angle projection		
14853 E HINDSDALE AVE, SUITE d CENTENNAIL, CO 80112-4240, USA TEL: +1-303-699-1135 TOLL FREE: +1-800-456-9012 E MAIL: info@sealconusa.com WEBSITE: WWW.SEALCONUSA.COM		

4

3

2

D

D

C

C

B

B

A