



SCHROFF

Project - 0 item(s)

MY PROJECT LIST

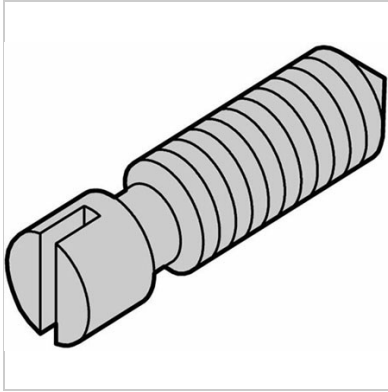
- PRODUCTS
- APPLICATIONS
- INDUSTRIES
- NEW PRODUCTS
- CONFIGURATORS
- Products ▾
- Search
- 🔍

Home > Grub screw (M3.0x8), steel nickel plated



Grub screw (M3.0x8), steel nickel plated

SCHROFF



Catalog Number: 21100-646

[Back To Product](#)

- Grub screw
- For threaded insert

Accessories:

Grub screw

Description:

Grub screw M3 x 8, PU 100 pieces

Product family:

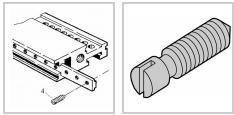
- RatiopacPRO
- PropacPRO
- CompacPRO
- EuropacPRO

Application:

Industrial automation



Other Views



Select product specifications before modifying or adding to project list or requesting a quote.

Dimensions-defining

Material-defining

[Clear Selection](#)

Quantity

Add Item to Project List +

Links

Native CAD files

Technical Data

Material	St, zinc-plated
Dimension [mm]	M3.0 x 8
Qty	PU 100 pieces
Color	Zinc-plated
Item	4
Description	Grub screw, DIN 553, M3.0 x 8, St, zinc-plated
Application	For threaded insert

<p>EXPLORE</p> <ul style="list-style-type: none"> About Us Services & Capabilities News & Events Newsletter Subscriptions Strategic Partnerships Investor Relations 	<p>CONTACT</p> <ul style="list-style-type: none"> Customer Service Find a Sales Office or Distributor Global Locations Product Compliance & Certifications Partner Login 	<p>DOWNLOAD</p> <ul style="list-style-type: none"> Download Center Reference Projects Videos Product Configurators Warranties and Terms of Sale & Procurement
--	--	---

Connect With Us

