



**SCHROFF**

Project - 0 item(s)

**MY PROJECT LIST**

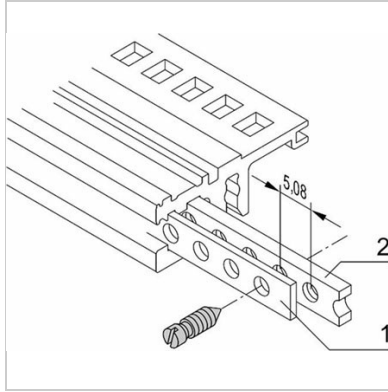
- PRODUCTS
- APPLICATIONS
- INDUSTRIES
- NEW PRODUCTS
- CONFIGURATORS
- Products ▾
- Search
- 🔍

Home > Products > Perforated strips



## Perforated strips

**SCHROFF**



**Catalog Number: 34565-396**

[Back To Product](#)

- For centering the shielded plug-in units

**Product family:**

EuropacPRO

**Note:**

Only usable with double-T threaded insert

**Type:**

Individual Components

**Individual Component Type:**

Horizontal Rails & Accessories

**Standard pack quantity (SPQ):**

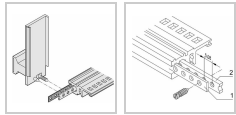
Please take into consideration that deliveries may be carried out in the stated SPQs (SPQ, e.g. 5 pieces, 10 pieces, 50 pieces, etc.). Differing order quantities (e.g. 2 pieces) may be changed to the next possible delivery quantity = Standard Pack Quantity.

**Description:**

Perforated strip



Other Views



**Select product specifications before modifying or adding to project list or requesting a quote.**

Length-mm-defining

1000.56 ▾

[Clear Selection](#)

Quantity

**Add Item to Project List +**

**Links**

Native CAD files

### Technical Data

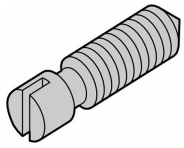
<b>Length mm</b>	1000.56
<b>Qty</b>	1 piece (SPQ 10)
<b>Delivery is exclusively made in Standard Pack Quantity (SPQ)</b>	10
<b>Material</b>	Aluminium, 1 mm
<b>Description</b>	for centring shielded plug-in units, Al, 1 mm, please order grub screw separately

### Delivery Comprises:

Item	Quantity	Description
------	----------	-------------

Item	Quantity	Description
1	1	Perforated strip, aluminium, 1 mm

## Accessories



Grub screw (M2.5x9), Stainless steel, PU 100  
pieces

21101-359

[Add Item to Project List +](#)

EXPLORE	CONTACT	DOWNLOAD
<ul style="list-style-type: none"> <li>About Us</li> <li>Services &amp; Capabilities</li> <li>News &amp; Events</li> <li>Newsletter Subscriptions</li> <li>Strategic Partnerships</li> <li>Investor Relations</li> </ul>	<ul style="list-style-type: none"> <li>Customer Service</li> <li>Find a Sales Office or Distributor</li> <li>Global Locations</li> <li>Product Compliance &amp; Certifications</li> <li>Partner Login</li> </ul>	<ul style="list-style-type: none"> <li>Download Center</li> <li>Reference Projects</li> <li>Videos</li> <li>Product Configurators</li> <li>Warranties and Terms of Sale &amp; Procurement</li> </ul>

© 2018 nVent. All rights reserved | [Privacy Policy](#) | [Terms of Use](#) | [Cookie Policy](#) | [Imprint](#) | [Site Map](#)

## Connect With Us

