

[NVENT.COM](#)[Unit of Measure - Metric](#) >[Schroff](#) | [Europe, Middle East, Africa and India - English](#) | [Change](#)[Partner Login](#)[Sign In / Register](#)[Shopping Cart](#)

Project - 0 item(s)

[MY PROJECT LIST](#)

- [Products](#)
 - [Configurators](#)
 - [- Novastar cabinet configurator](#)
 - [- Front panel configurator](#)
 - [- Wedge Lok configurator](#)
 - [- All configurators](#)
 - [IT Infrastructure](#)
 - [Server Cabinets](#)
 - [Aisle Containments](#)
 - [Data Center Cooling](#)
 - [PDU's / iPDU's](#)
 - [Data Center Monitoring](#)
 - [Cable Management & Accessories](#)
 - [Electronics Cabinets](#)
 - [19" Racks & Electronics Cabinets](#)
 - [- Novastar cabinet configurator](#)
 - [Ruggedized Electronics Cabinets \(Seismic, MIL\)](#)
 - [EMC Cabinets](#)
 - [Power Distribution Units / Socket Strips](#)
 - [Electronics Cabinet Parts](#)
 - [On Board Racks](#)
 - [Electronic Cabinet Accessories](#)
 - [Outdoor Rack Cabinets](#)
 - [Systems, Backplanes & Power Supplies](#)
 - [AdvancedTCA Systems](#)
 - [CompactPCI Based Systems](#)
 - [PXI & PXI Express systems](#)
 - [MicroTCA Systems](#)
 - [VME Based Systems - incl VXS VPX](#)
 - [Compute and Storage Platform](#)
 - [Hardware Platform Management \(Pigeon Point\)](#)

- [Computer on Module \(CoM\)](#)
 - [Backplanes](#)
 - [Test Adapter](#)
 - [Power Supplies](#)
 - [Embedded Systems & Cases](#)
 - [Interscale Platform for Single Boards](#)
 - [Interscale Configured Solutions](#)
 - [Embedded CoM System](#)
 - [Subracks, Cases & Front Panels](#)
 - [Subracks and 19" chassis](#)
 - [Rack Mount Cases](#)
 - [Accessories - Subracks and Cases](#)
 - [Front Panels, Plug-in Units and Cassettes](#)
 - [- Front panel configurator](#)
 - [Mounting Hardware](#)
 - [Small Form Factor Cases](#)
 - [PCB Accessories / Retainers](#)
 - [PCB Accessories](#)
 - [PCB Wedge Loks / Card Loks](#)
 - [- Wedge Lok configurator](#)
 - [PCB Tainers / Guides](#)
 - [PCB Inserters / Extractors](#)
 - [Conduction Cooled Assemblies / Heat Frames](#)
- [Applications](#)
 - - [Indoor Manufacturing](#)
 - [Laboratory Environment](#)
 - [Shock / Vibration](#)
 - [Transportation \(Mobile\)](#)
 - [Ruggedized / MIL \(seismic\)](#)
 - [Communications / Data Center-IT](#)
 - [Industries](#)
 - - [General Electronics](#)
 - [Infrastructure](#)
 - [Medical / Laboratory](#)
 - [Security / Defense](#)
 - [Communications / Data Center-IT](#)
 - [New products](#)
 - - [IT & Data Center Infrastructure Solutions](#)
 - [Electronics Cabinets - Schroff](#)
 - [Systems, Backplanes & Power Supplies](#)
 - [Subracks, Cases & Front Panels](#)
 - [Configurators](#)
 - - [Novastar cabinet configurator](#)
 - [Front panel configurator](#)
 - [Wedge Lok configurator](#)
 - [All configurators](#)

Products ▾

Search in

- [Products](#)
- [Applications](#)
- [Industries](#)
- [New products](#)

- [Configurators](#)
- [All Categories](#)

Search

Suggested site content and search history menu Search

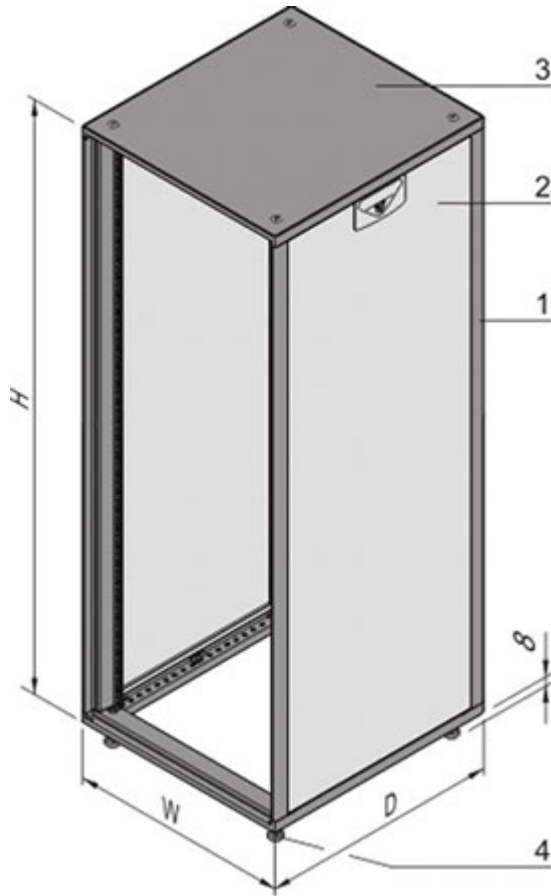
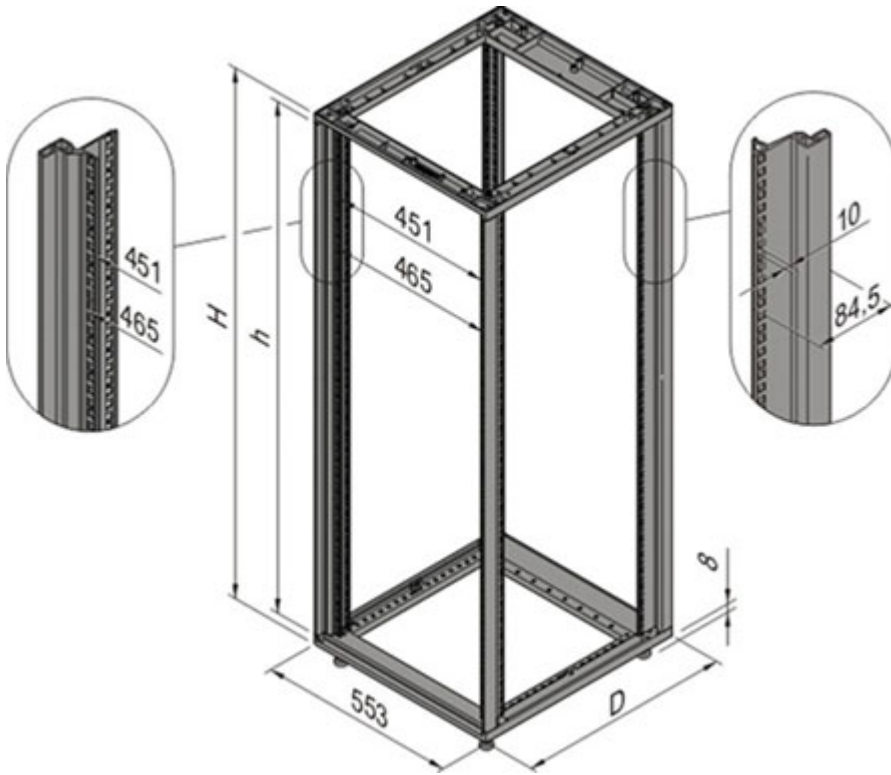
- [Home](#)>
- Novastar, Cabinet without doors, Slim-Line, RAL 7021/7035

Novastar, Cabinet without doors, Slim-Line, RAL 7021/7035

SCHROFF



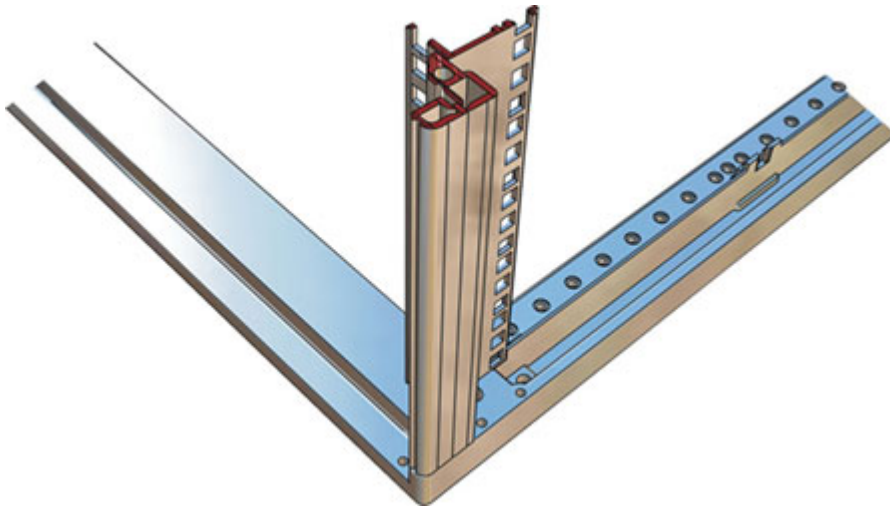
Other Views

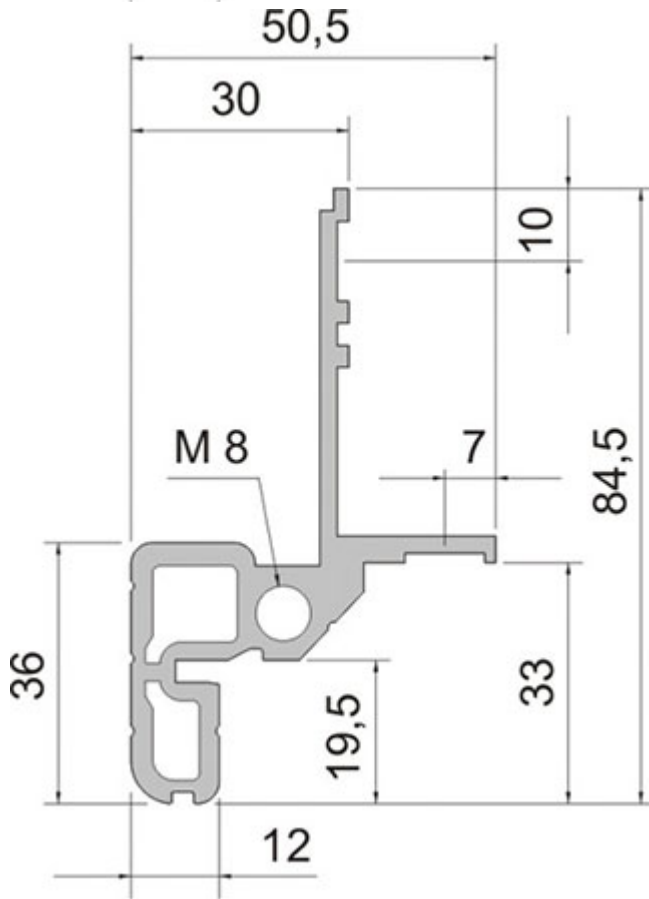
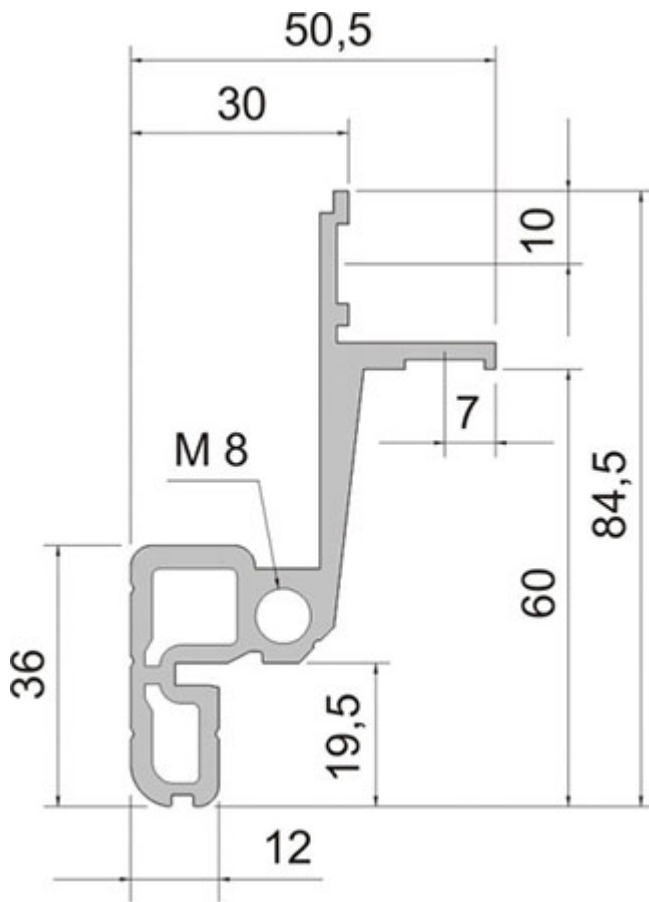


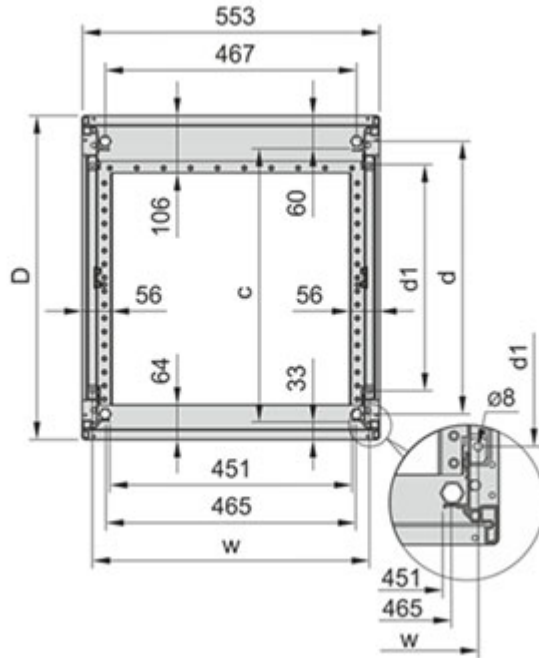
•



•







Catalog Number: 16230-007

[Back To Product](#)

- Type of protection IP 20
- Cabinet width only 553 mm
- All uprights (front and rear) with 19" cut-outs
- Colours: RAL 7021 or colour combination RAL 7021/RAL 7035 (See specification table)
- Static load-carrying capacity up to 400 kg (See specification table)
- Door and rear panel combination freely selectable
- Flush cladding parts
- Bolted, die-cast frame with Al extrusions

Product family:

Novastar

Delivery Includes:

assembled

Degree of protection:

none

Shielding:

No

Door/rear panel:

Open front and rear

Type:

Floor-standing cabinet

Material:

Steel frame and steel cladding

Description:

Slim-Line

Product family:

Novastar

Load:

200 kg/ 440 lb static

NEW

Select product specifications before modifying or adding to project list or requesting a quote.

Height-U-mm-defining

Depth-mm-defining

Color-defining

[Clear Selection](#)Quantity [Modify Product](#)[Add Item to Project List](#)

Documents

[Main Catalog - Novastar](#)[SellSheet Novastar Toolbox](#)

Links

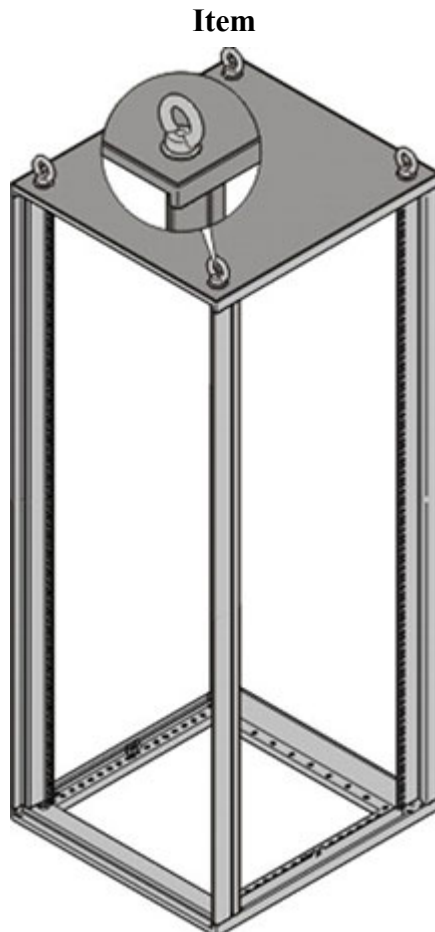
[Native CAD files](#)**Technical Data**

Depth mm	600.0
Height mm	945.0
Width mm	553.0
Depth D mm	600.0
For cabinet width mm	553.0
Color	RAL 7035/RAL 7021
Description	Slim-Line
Height U	20
For cabinet height	20

Delivery Comprises:

Item	Quantity	Description
1	1	Frame, uprights Al extrusion with 19" perforation, Al die-cast frame, RAL 7021
2	2	Side panel, St, 1 mm, light grey (RAL 7035); twist-locking catch (Torx T30)
3	1	Flush top cover, St, 1 mm, RAL 7021
4	4	Foot
5	1	Earthing kit

Accessories



[Lifting eyes \(Novastar\), for flush top cover](#)

[27230-066](#)

[Add Item to Project List](#)

Explore

- [About Us](#)
- [Services & Capabilities](#)
- [News & Events](#)
- [Newsletter Subscriptions](#)
- [Strategic Partnerships](#)
- [Investor Relations](#)

Contact

- [Customer Service](#)
- [Find a Sales Office or Distributor](#)
- [Global Locations](#)
- [Product Compliance & Certifications](#)
- [Partner Login](#)

Download

- [Download Center](#)
- [Reference Projects](#)
- [Videos](#)
- [Product Configurators](#)
- [Warranties and Terms of Sale & Procurement](#)

© 2018 nVent. All rights reserved | [Privacy Policy](#) | [Terms of Use](#) | [Cookie Policy](#) | [Imprint](#) | [Site Map](#)

Connect With Us

