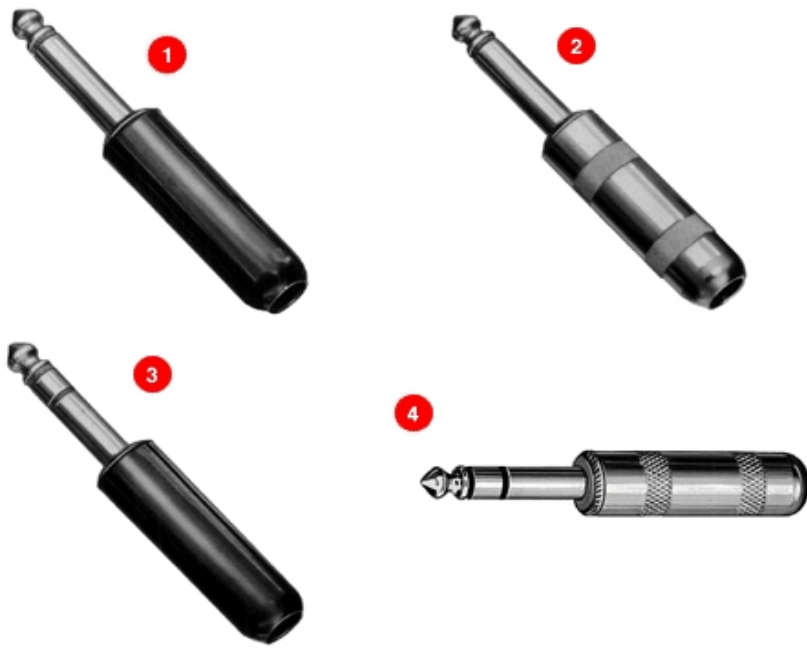


1/4" PLUGS



- 1. 2-CONDUCTOR (TS) PLUGS Numbers 240, 245, 250, 255 (typical)**
- 2. 2-CONDUCTOR (TS) PLUGS Numbers 280, 281, 285, 285L, 288 (typical)**
- 3. 3-CONDUCTOR (TRS) PLUGS Number 260 (typical)**
- 4. 3-CONDUCTOR (TRS) PLUGS Number 290 (typical)**

FEATURES

- * Heavy duty machined copper alloy handle (shielded versions), tip and body for unsurpassed ruggedness.
- * Bright nickel plating on exterior surfaces will not chip or corrode.
- * Solder terminals are tin electroplated for ease of soldering.
- * One-piece tip rod staked into tip terminal ensures electrical continuity
- * Heavy duty cable clamp provides secure strain relief.
- * The proven industry standard phone plug for audio applications. Beware of imitations!
- * Shielded handle versions recommended for applications where electromagnetic interference and physical abuse may occur.

SPECIFICATIONS

Sleeve, Tip and Body: Nickel-plated copper alloy.

Terminals: Solder lug - Tinned copper alloy.

Screw: Tin-plated (screws size 3/48).

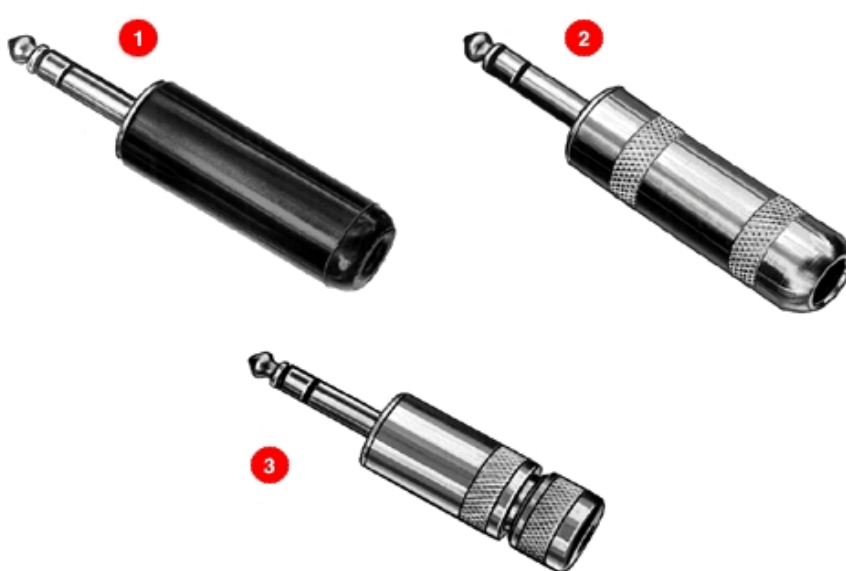
Handles: Molded - black or red plastic. Shielded- machined Nickel-plated copper alloy. Tubular insulator inside handle.

2-CONDUCTOR (TS) PLUG PART NUMBERS				
Part Number	Terminals	Typical Mating Jack	Handle	Handle Part Number
240	Screw ³	11	Black	M1002
245	Screw ³		Red	M1003
250	Solder Lug & Cable Clamp		Black	M1002
255			Red	ý M1003
270	Screw ³		Shielded	Handle: T10581 Insulator: A10071
280	Solder Lug & Cable Clamp		Shielded ¹	
281			Shielded ⁴	
285			Shielded ^{4,5}	
288			Shielded ¹	
285L			Shielded ^{4,5,6}	T2323
2P1298	Solder Lug & Cable Clamp		Without Handle	
ý 2P1495	Screw ³			

3-CONDUCTOR (TRS) PLUG PART NUMBERS				
Part Number	Terminals	Typical Mating Jack	Handle	Handle Part Number
260	Screw	12B	Black	M1002
267	Solder Lug & Cable Clamp	12B	Black	M1002
269	Solder Lug & Cable Clamp	12B	Red	M1003
290	Screw ³	12B	Shielded	Handle: T10581 Insulator:A10071
297	Solder Lug & Cable Clamp	12B	Shielded	
2P1248	Solder Lug & Cable Clamp	12B	Without Handle	

¹ Wide insulator between tip and sleeve allows use of 2-conductor plug in 3-conductor jack without shorting.
³ Replacement Screw Part Number P10292 (2-conductor plugs require 2 screws; 3-conductor plugs require 3 screws).
⁴ Unassembled.
⁵ Larger cable clamp to accommodate larger diameter cables.
⁶ Handle has .375 inch (9.53mm) diameter hole to accommodate larger diameter cables.
 ý Special order only. Contact Switchcraft.

[click here to download a dimensional drawing](#)
 (you will need to have Adobe Acrobat installed on your system to do this)



- 1. 3-CONDUCTOR (TRS) - PLASTIC OR SHIELDED HANDLES Number 60**
- 2. 3-CONDUCTOR (TRS) - PLASTIC OR SHIELDED HANDLES Number 190**
- 3. 3-CONDUCTOR (TRS) - PLASTIC OR SHIELDED HANDLES Number 190A**

Part Number	Terminals	Typical Mating Jack ²	Handle	Handle Part Number
60	Solder Lug	12B	Black	M1001
190			Shielded	Handle: T10141 Insulator: A10063
190A			Shielded	2-piece ¹

¹ 2-piece shielded handle with built-in cable clamp for .25 inch diameter cable.
 Handles: Number T11231, handle; Number T11241, cap; Number A10064, insulator; Number T1125, rubber washer.
² Other Mating Plugs are available.

[click here to download a dimensional drawing](#)
 (you will need to have Adobe Acrobat installed on your system to do this)



To search a category please click on the corresponding button:

[Connectors](#) | [Jacks and Plugs](#) | [Patch Panels, Patch Kits & Jackfields](#) | [Cable Assemblies and Patch Cords](#) | [Switches](#) |

All products shown are covered by Switchcraft's limited lifetime warranty.