

Data Sheet

RT045xxHBWC

Page 1/4

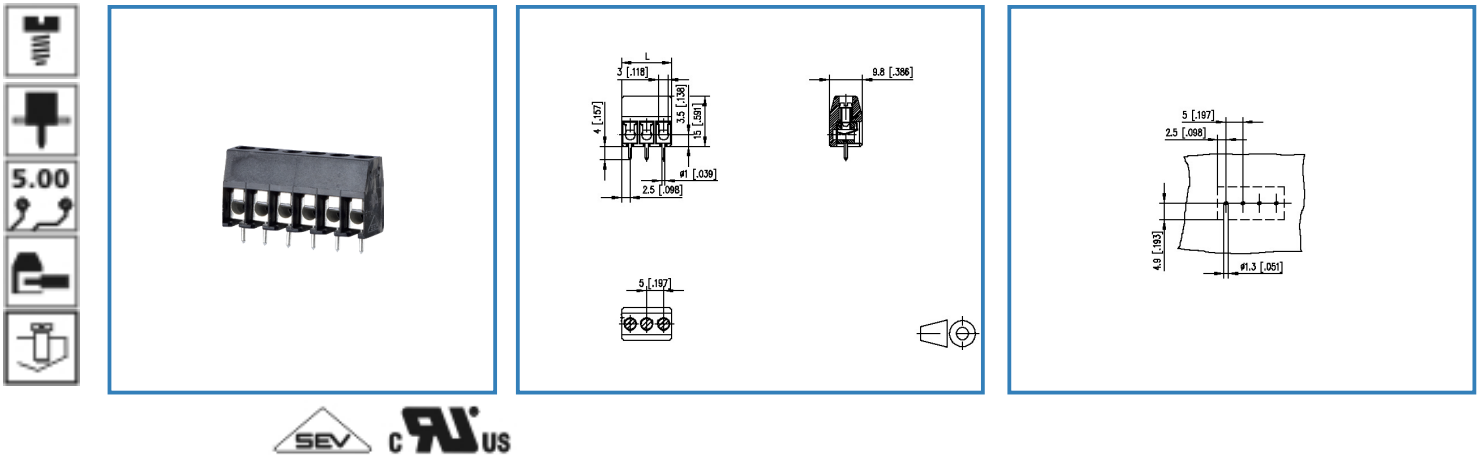
P/N

310031xx

xx=number of poles

2015/03/10

Illustration



see enlarged drawing at the end of the document

Product specification

- screw type terminal block, solderable
- centerline 5.00 mm, direction of connection 90°
- wire protector, fittable without loss of poles
- color black
- Connection data

CRIUS V / A / AWG 300 / 20 / 22 - 12

SEV 2.5 mm² 250 V / 24 A / T60

Data Sheet

RT045xxHBWC

Technical Data

General Data

Tightening torque SEV	0.5 Nm		
Tightening torque UL	7 lb-in		
Solder pin length	4 mm		
min. number of poles	2		
max. number of poles	24		
Insulating material class	CTI 600		
clearance/creepage dist.	3.9 mm		
protection category	IP 20		
Overvoltage category	III	III	II
Pollution degree	3	2	2
Rated voltage	250 V	630 V	630 V
Rated test voltage	4.0 kV	4.0 kV	4 kV

Connection data

extended wiring UL Wire range extended to No. 30 AWG for factory-wiring. Two same size wires No. 22-16 AWG Cu, Sol/Str for field-wiring; No. 30-16 AWG Cu Sol/Str factory-wiring.

 V / A / AWG 300 / 20 / 22 - 12

 2.5 mm² 250 V / 24 A / T60

Material

insulating material	PA66
flammability class	V0
terminal body material	CuZn
terminal body surface	Ni + Sn
screw surface	Zn Cr(VI)-frei/free
wire protector material	CuSn
wire protector surface	Sn
screw thread	M3

Climatic properties

upper limit temperature	105 °C
lower limit temperature	-40 °C

General

solderability	Acc. to JEDEC JESD22-B102E 245°C/5s
Tolerance	ISO 2768 -mH

Data Sheet

RT045xxHBWC

Page 3/4

P/N

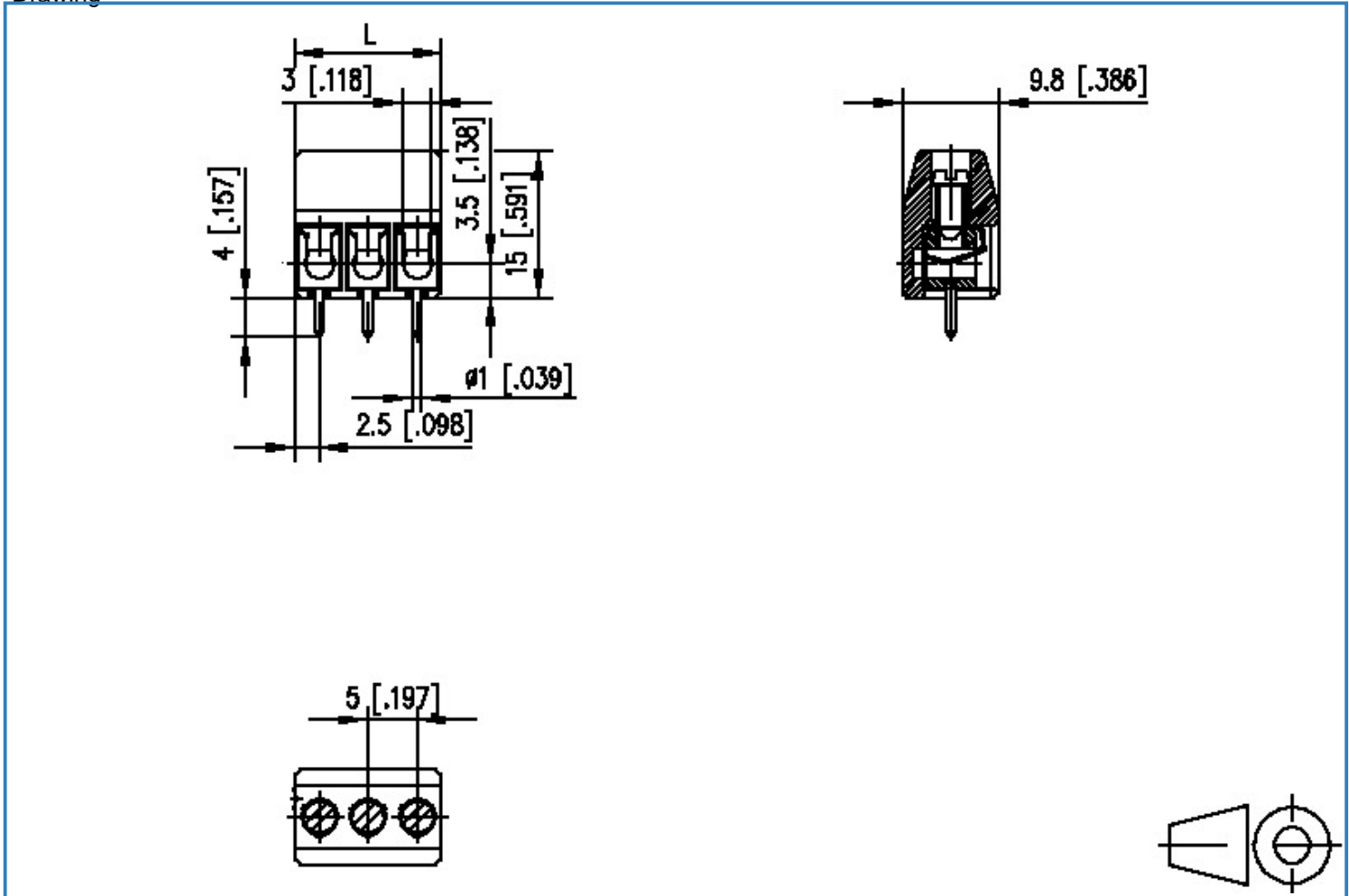
310031xx

xx=number of poles

2015/03/10

Illustration

Drawing



$L = (\text{pole size} - 1) \times \text{centerline} + 5 [0.197]$



Data Sheet

RT045xxHBWC

Page 4/4

P/N

310031xx

xx=number of poles

2015/03/10

PCB Layout

