

# Data Sheet

## RP025xxIBWU

Page 1/4

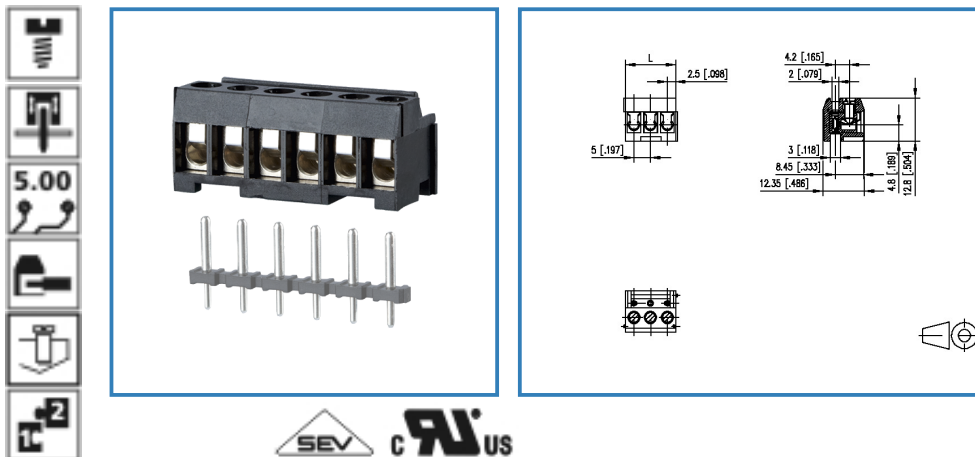
P/N

310771xx

xx=number of poles

2013/12/05

### Illustration



see enlarged drawing at the end of the document

### Product specification

- screw type terminal block, pluggable
- centerline 5.00 mm, direction of connection 90°
- wire protector, modular
- color black
- wire entry perpendicular to plug direction, lamella
- Connection data

**cRUUS** V / A / AWG 300 / 15 / 22 - 14

**SEV** 10 A / 250 V / 2.5 kV / 3 / IEC 61984 / 0.33 - 2.5 mm<sup>2</sup>



# Data Sheet


## RP025xxIBWU

### Technical Data

#### General Data

Tightening torque SEV	0.5 Nm		
Tightening torque UL	7 lb-in		
min. number of poles	2		
max. number of poles	3		
Insulating material class	CTI 600		
clearance/creepage dist.	2.3 mm		
protection category	IP 00		
Overvoltage category	III	III	II
Pollution degree	3	2	2
Rated voltage	160 V	400 V	400 V
Rated test voltage	2.5 kV	2.5 kV	2.5 kV

#### Connection data

extended wiring UL	Wire range extended to No. 30 AWG for factory-wiring. Two same size wires No. 22-16 AWG Cu, Sol/Str for field-wiring; No. 30-16 AWG Cu Sol/Str factory-wiring.
 V / A / AWG	300 / 15 / 22 - 14



10 A / 250 V / 2.5 kV / 3 / IEC 61984 / 0.33 - 2.5 mm<sup>2</sup>

#### Material

insulating material	PA66
flammability class	V0
terminal body material	CuZn
terminal body surface	Ni
screw surface	Zn Cr(VI)-frei/free
wire protector material	CuSn
wire protector surface	Sn
screw thread	M3

#### Climatic properties

upper limit temperature	105 °C
lower limit temperature	-40 °C

#### General

Tolerance	ISO 2768 -mH
-----------	--------------



# Data Sheet

## RP025xxIBWU

Page 3/4

P/N

310771xx

xx=number of poles

2013/12/05

### Matching Part

P/N	Product name
310171	PR015xxVBHC Typ 017
310271	PR015xxVBVC Typ 027
310391	PT055xxHBHC Typ 039
310411	PT065xxVBEN Typ 041
310421	PT075xxVBEN Typ 042
314171	PM035xxVBHC Typ 417

### Accessories

P/N	Product name
710121-2	710121
710122-2	710122
716846	716846
750150	750150
750151	750151



# Data Sheet

## RP025xxIBWU

Page 4/4

P/N

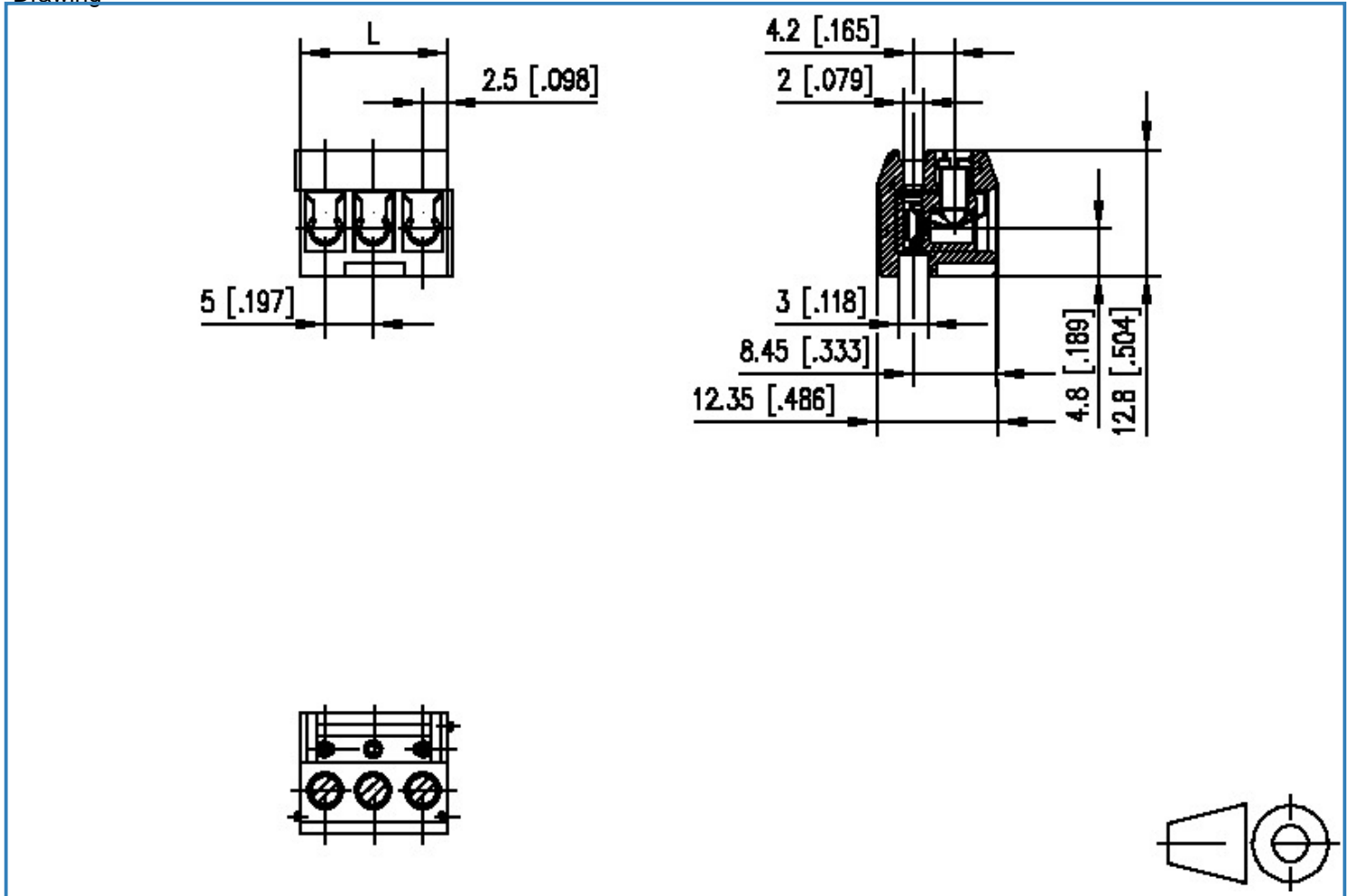
310771xx

xx=number of poles

2013/12/05

### Illustration

Drawing



$L = (\text{pole size} - 1) \times \text{centerline} + 5 [0.197]$



METZ CONNECT GmbH

Im Tal 2 | 78176 Blumberg | Germany | [www.metz-connect.com](http://www.metz-connect.com)

Phone +49 7702 533-0 | Fax +49 7702 533-433

Montageanleitung / Mounting instruction siehe / see [www.metz-connect.com](http://www.metz-connect.com)

Members of METZ CONNECT

