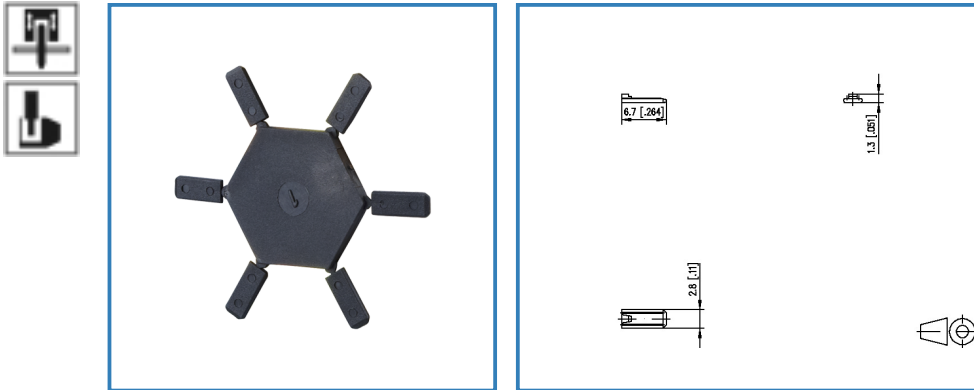


Data Sheet

720293

Page 1/4
P/N
720293-01-2
2017/01/24

Illustration



see enlarged drawing at the end of the document

Product specification

- The coding pin is inserted into the slots provided in the header. The terminal blocks mating these headers show a coding ridge which has to be removed.
- This method of coding does not result in any circuit loss
- Group of 6 black coding pins

Data Sheet

720293

Page 2/4

P/N

720293-01-2

2017/01/24

Technical Data

Material

| | |
|---------------------|-------|
| insulating material | PA66 |
| Color | black |



Data Sheet

720293

Accessories to

| P/N | Product name |
|---------------------|---------------------|
| 311881 | PR043xxHBBN Typ 188 |
| 313891 | PR043xxVBBF Typ 389 |
| 313892 (on request) | PR04JxxVBBF |
| 313901 | PR044xxHBBF Typ 390 |
| 313902 (on request) | PR048xxVBBF Typ 390 |
| 313911 | PR044xxVBBF Typ 391 |
| 313912 (on request) | PR048xxVBBF Typ 391 |
| 313921 | PT094xxHBBF Typ 392 |
| 313922 (on request) | PT098xxHBBF Typ 392 |
| 313931 | PT094xxVBBF Typ 393 |
| 313932 (on request) | PT098xxVBBF Typ 393 |
| 313941 | PT093xxHBBF Typ 394 |
| 313942 (on request) | PT09JxxHBBF |
| 313951 (on request) | PT093xxVBBF Typ 395 |
| 313882 (on request) | PR04JxxHBBF |
| 313881 | PR043xxHBBF Typ 388 |
| 313832 (on request) | PT098xxVBBN Typ 383 |
| 311882 (on request) | PR04JxxHBBN Typ 188 |
| 311891 | PR043xxVBBN Typ 189 |
| 311892 (on request) | PR04JxxVBBN Typ 189 |
| 311901 | PR044xxHBBN Typ 190 |
| 311902 (on request) | PR048xxHBBN Typ 190 |
| 311911 | PR044xxVBBN Typ 191 |
| 311912 (on request) | PR048xxVBBN Typ 191 |
| 313421 | PT093xxHBBN Typ 342 |
| 313422 (on request) | PT09JxxHBBN Typ 342 |
| 313431 | PT093xxVBBN Typ 343 |
| 313432 (on request) | PT09JxxVBBN Typ 343 |
| 313821 | PT094xxHBBN Typ 382 |
| 313831 | PT094xxVBBN Typ 383 |
| 313952 (on request) | PT09JxxVBBF |



Data Sheet

720293

Page 4/4
P/N
720293-01-2
2017/01/24

Illustration

Drawing

