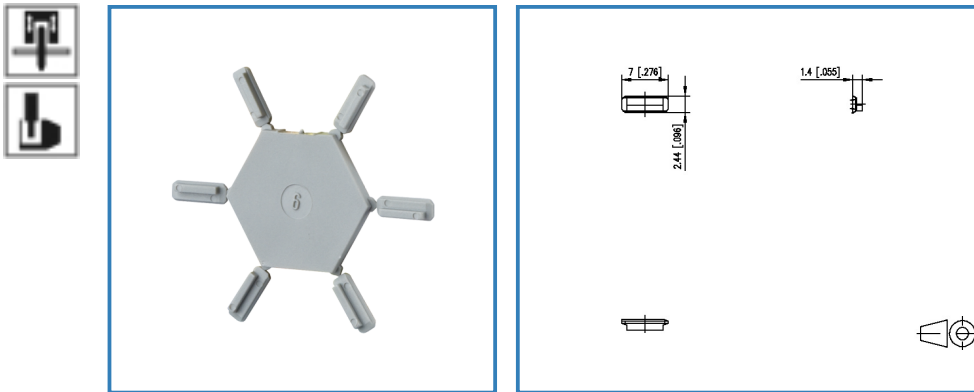


Data Sheet

720243

Page 1/4
P/N
720243-02-4
2017/01/24

Illustration



see enlarged drawing at the end of the document

Product specification

- The coding pins are inserted into the slots provided in the terminal block and respective header
- This method of coding does not result in any circuit loss. Please refer to the drawing below for further details.
- Variants: 720243-01-3 with 6 coding pins orange left; 70243-02-3 with 6 coding pins orange right, 720243-01-4 6 with 6 coding pins gray left, 720243-02-4 with 6 coding pins gray right

Data Sheet

720243

Page 2/4

P/N

720243-02-4

2017/01/24

Technical Data

Material

insulating material	PA66
Color	gray



METZ CONNECT GmbH

Im Tal 2 | 78176 Blumberg | Germany | www.metz-connect.com

Phone +49 7702 533-0 | Fax +49 7702 533-433

Montageanleitung / Mounting instruction siehe / see www.metz-connect.com

Members of METZ CONNECT



Data Sheet

720243

Page 3/4

P/N

720243-02-4

2017/01/24

Accessories to

P/N	Product name
311691	RP013xxVBWN Typ 169
311811 (on request)	PT013xxVBBN Typ 181
311821	PT113xxHBBN Typ 182
311822 (on request)	PT11JxxHBBN Typ 182
311831	PT113xxVBBN Typ 183
311832 (on request)	PT11JxxVBBN Typ 183



Data Sheet

720243

Page 4/4
P/N
720243-02-4
2017/01/24

Illustration

Drawing

