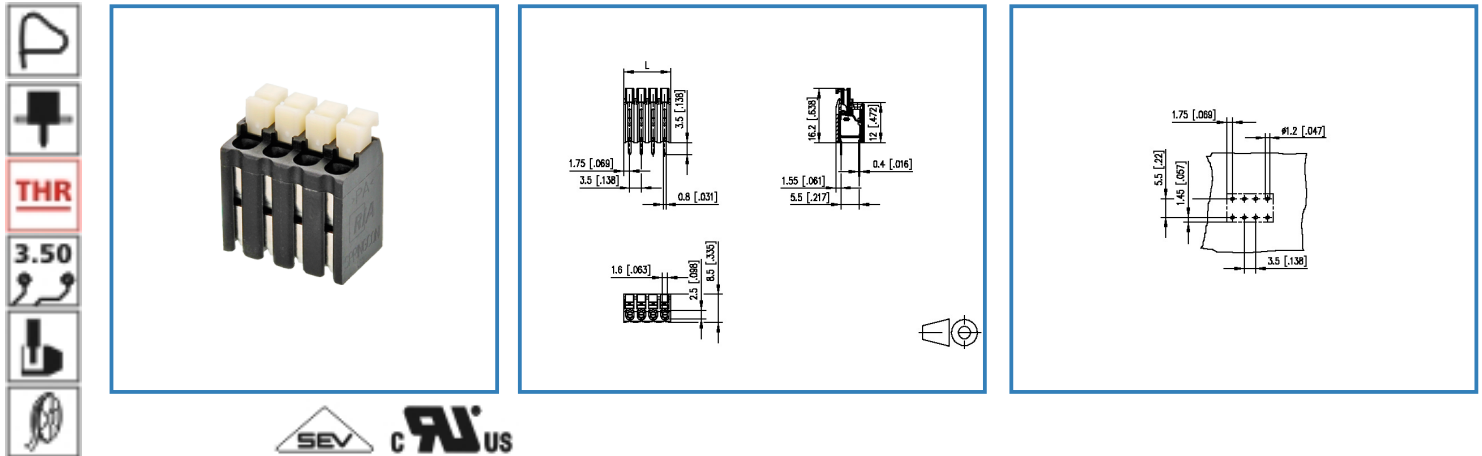


# Data Sheet

## SR213xxVBPC

### Illustration



see enlarged drawing at the end of the document

### Product specification

- spring clamp terminal block, THR solderable, double solder pins
- centerline 3.50 mm, direction of connection vertical 0°
- fittable without loss of poles
- color black
- Tape & Reel packaging
- finger push-button
- Connection data

**cRUUS** V / A / AWG 150 / 10 / 28 - 16

**SEV** 1.5 mm<sup>2</sup> 130 V / 17.5 A / T60



# Data Sheet



## SR213xxVBPC

### Technical Data

#### General Data

Solder pin length	3.5 mm		
min. number of poles	2		
max. number of poles	12		
Insulating material class	CTI 600		
clearance/creepage dist.	2 mm		
protection category	IP 20		
Overvoltage category	III	III	II
Pollution degree	3	2	2
Rated voltage	160 V	400 V	400 V
Rated test voltage	2.5 kV	2.5 kV	2.5 kV
Min. insul. strip length	8.5 mm		

#### Connection data

 V / A / AWG	150 / 10 / 28 - 16		
 1.5 mm <sup>2</sup>	130 V / 17.5 A / T60		

#### Material

insulating material	PA66/6T
flammability class	V0

#### Climatic properties

upper limit temperature	105 °C
lower limit temperature	-40 °C

#### General

solderability	Acc. to IPC/JEDEC J-STD-020D-MSL 1
Tolerance	ISO 2768 -mH

# Data Sheet

## SR213xxVBPC

Page 3/4

P/N

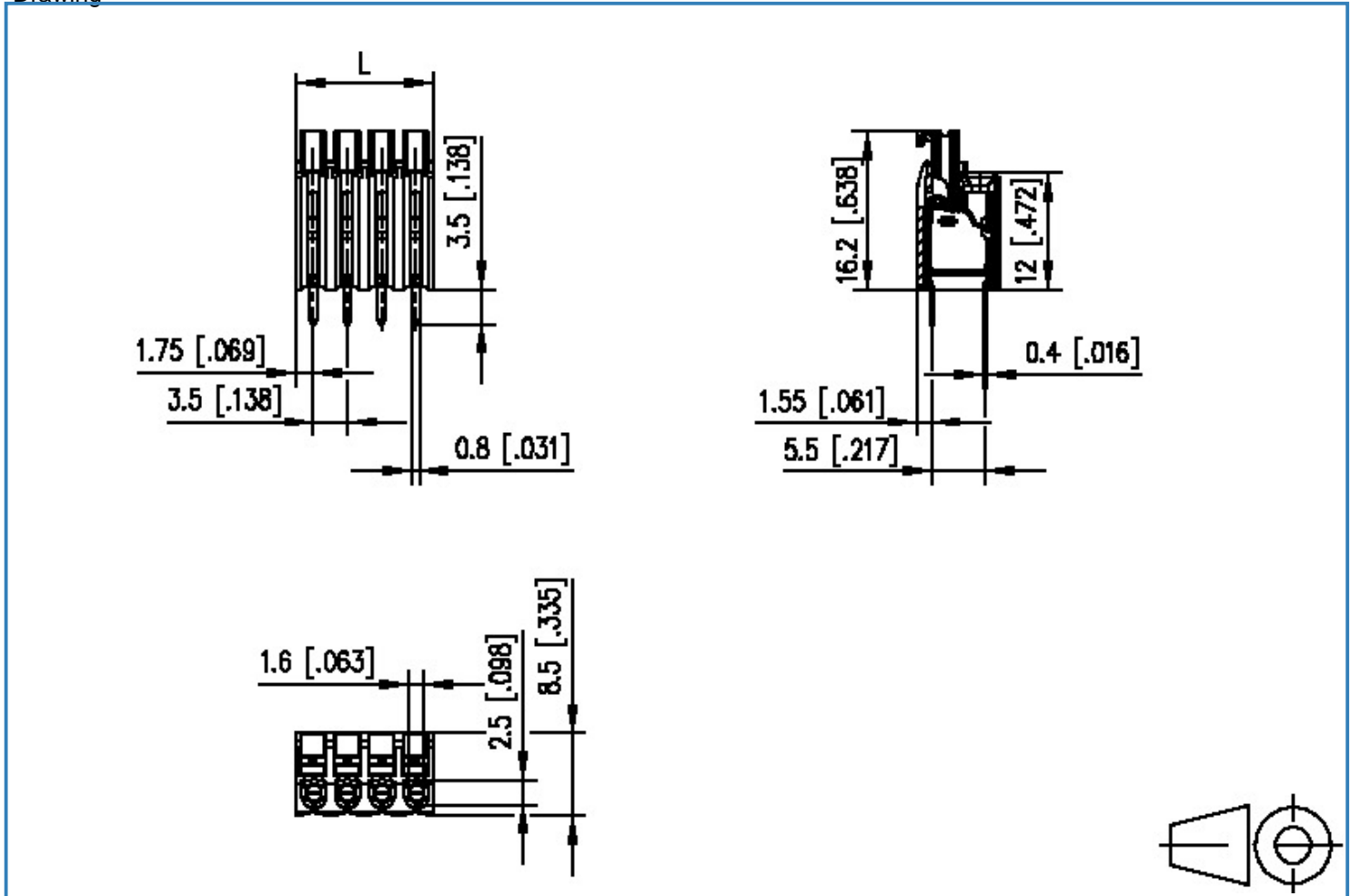
SR213xxVBPC

xx=number of poles

2014/01/28

### Illustration

Drawing



$$L = (\text{pole size} - 1) \times \text{centerline} + 3.5 [0.138]$$



# Data Sheet

## SR213xxVBPC

Page 4/4

P/N

SR213xxVBPC

xx=number of poles

2014/01/28

### PCB Layout

