

Data Sheet

SP066xxVBPF

Page 1/4

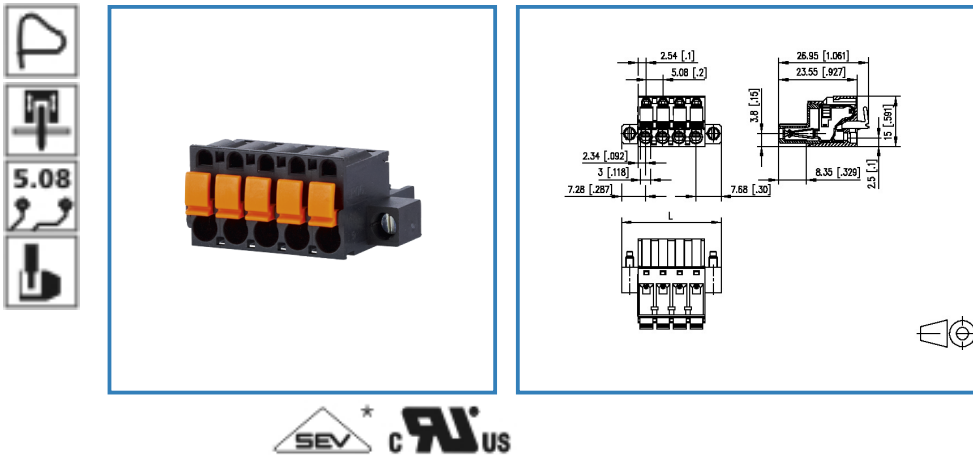
P/N

SP066xxVBPF

xx=number of poles

2014/07/09

Illustration




see enlarged drawing at the end of the document

Product specification

- spring clamp terminal block, pluggable
- centerline 5.08 mm, direction of connection vertical 0°
- color black, mounting flange
- finger push-button, wire entry uncodeable side parallel to plug direction
- Connection data

 V / A / AWG 300 / 12 / 28 - 12

 12 A / 250 V / 4 kV / 3 / IEC 61984 / 0.08 - 2.5 mm²

Data Sheet

SP066xxVBPF

Page 2/4

P/N

SP066xxVBPF

xx=number of poles

2014/07/09


Technical Data

General Data

min. number of poles	2		
max. number of poles	24		
Insulating material class	CTI 600		
clearance/creepage dist.	3.58 mm		
protection category	IP 20		
Overvoltage category	III	III	II
Pollution degree	3	2	2
Rated voltage	250 V	630 V	630 V
Rated test voltage	4.0 kV	4.0 kV	4 kV

Connection data

 US V / A / AWG	300 / 12 / 28 - 12
--	--------------------

	12 A / 250 V / 4 kV / 3 / IEC 61984 / 0.08 - 2.5 mm ²
--	--

Material

insulating material	PA66
flammability class	V0

Climatic properties

upper limit temperature	105 °C
lower limit temperature	-40 °C

General

Tolerance	ISO 2768 -mH
-----------	--------------

Data Sheet

SP066xxVBPF

Page 3/4

P/N

SP066xxVBPF

xx=number of poles

2014/07/09

Matching Part

P/N	Product name
312351	PT116xxVBBF Typ 235
312361	PT116xxHBBF Typ 236
313981 (on request)	PR066xxHBBF

Accessories

P/N	Product name
700025-01-5 (on request)	F_Kodier_blp
700025-01-9	700025
840020-02 (on request)	Drahtbrücke 0.8 RM 5.0



Data Sheet

SP066xxVBPF

Page 4/4

P/N

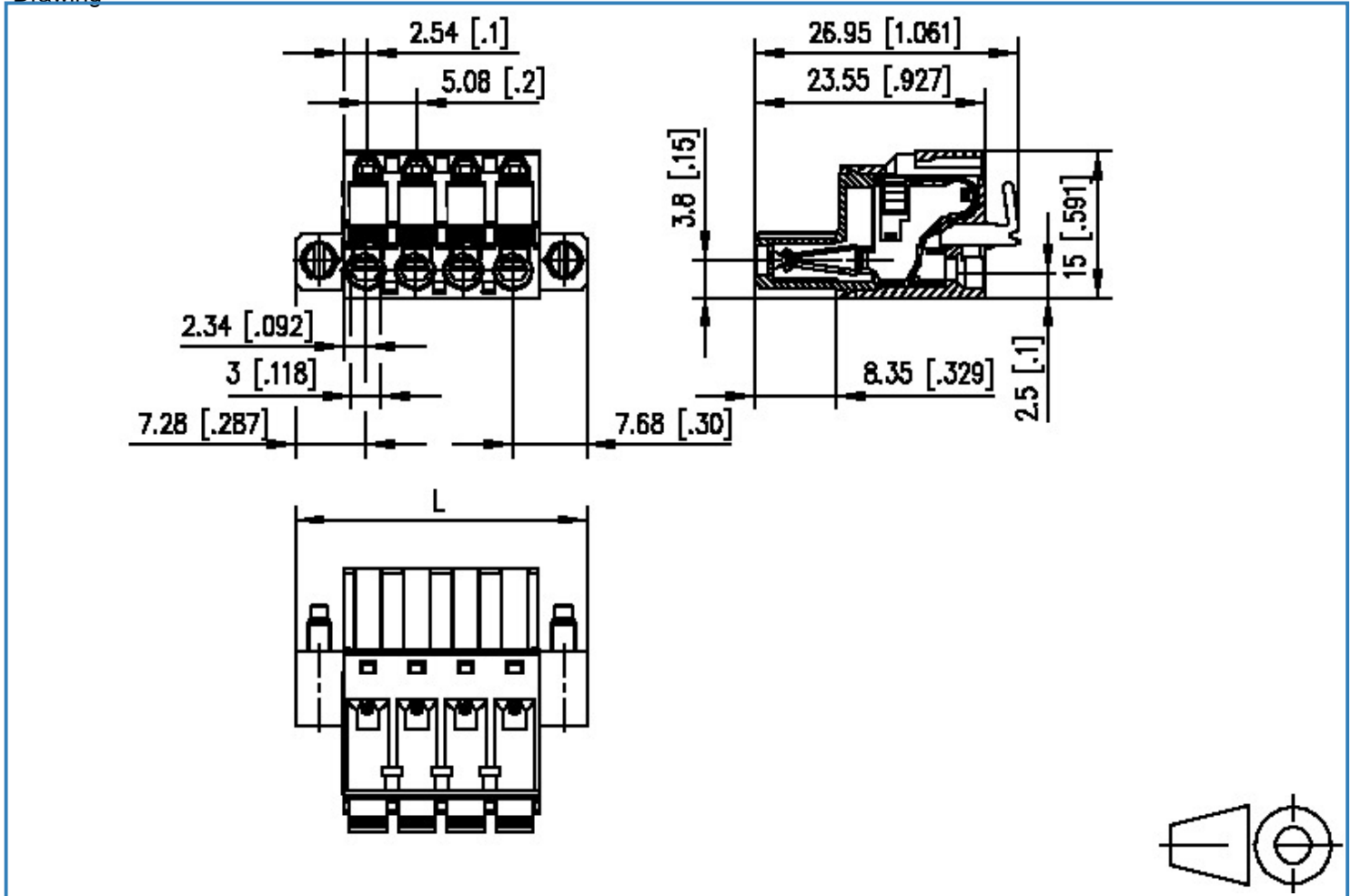
SP066xxVBPF

xx=number of poles

2014/07/09

Illustration

Drawing



$L = (\text{pole size} - 1) \times \text{centerline} + 14.96 [0.589]$

