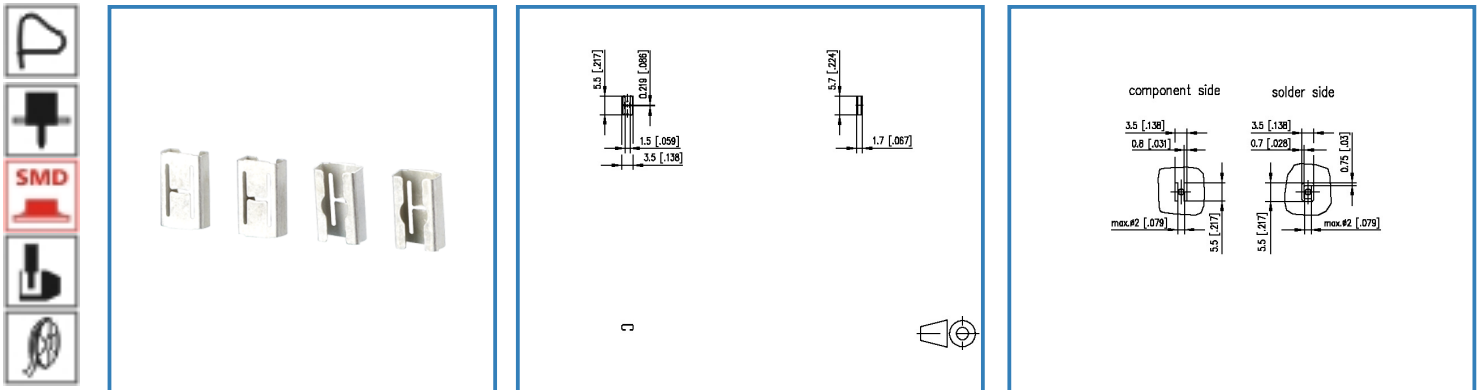


Data Sheet

SM01W01VXNN4G1 13-inch reel solder pad/solder side

Illustration



see enlarged drawing at the end of the document

Product specification

- spring clamp terminal block, SMT solderable
- direction of connection vertical 0°
- Tape & Reel packaging
- Connection data

0.1 - 0.75 mm² AWG 26 - 18 / 13 A

Data Sheet

SM01W01VXNN4G1 13-inch reel solder pad/solder side

Technical Data

General Data

min. number of poles	1
max. number of poles	1
protection category	IP 00
Min. insul. strip length	4 mm

Connection data

0.1 - 0.75 mm ²	AWG 26 - 18 / 13 A
----------------------------	--------------------

Material

contact material	CuBe
contact surface	Ni + Sn

General

solderability	Acc. to IPC/JEDEC J-STD-020D-MSL 1
Tolerance	ISO 2768 -mH

Safety instructions

Components have to be fixed in a way to prevent any transmission of forces on to the contact. Components with more than one pin are recommended.

Data Sheet

SM01W01VXNN4G1 13-inch reel solder pad/solder side

Page 3/6

P/N

ASM01W0164-4G16

2015/03/10

Matching Part

P/N	Product name
709023 (on request)	Tape_ASM01Y_16mm

Matching Part to

P/N	Product name
709023 (on request)	Tape_ASM01Y_16mm

Data Sheet

SM01W01VXNN4G1 13-inch reel solder pad/solder side

Page 4/6

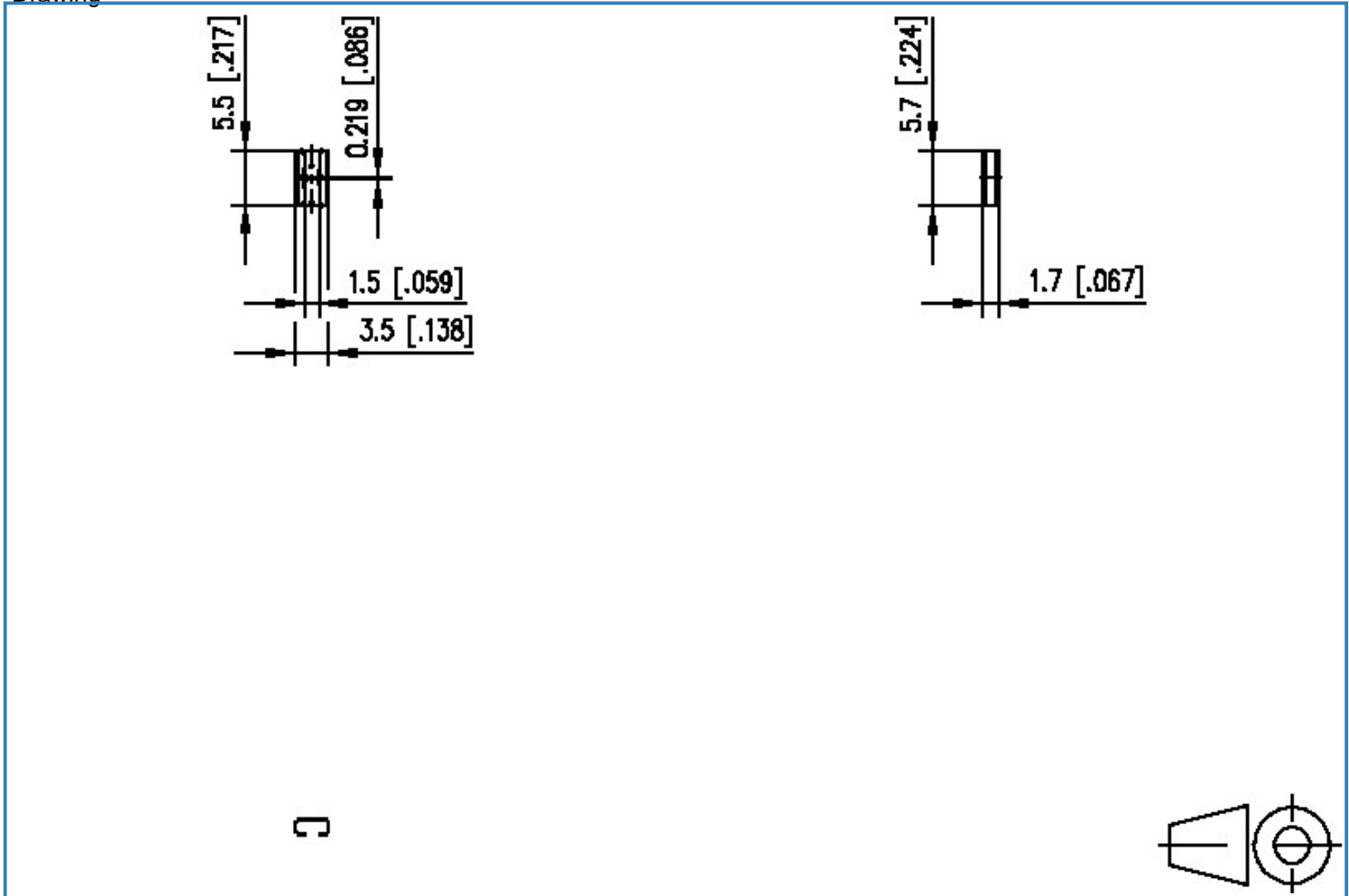
P/N

ASM01W0164-4G16

2015/03/10

Illustration

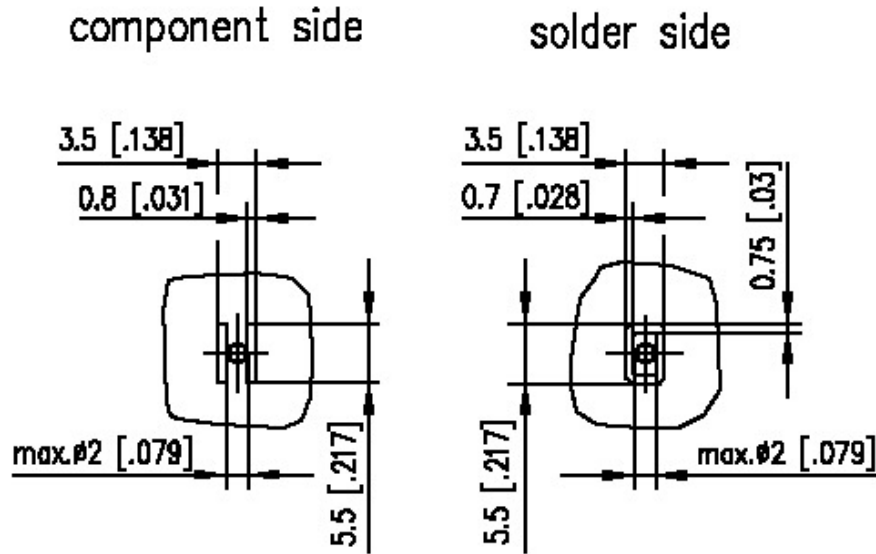
Drawing



Data Sheet

SM01W01VXNN4G1 13-inch reel solder pad/solder side

PCB Layout



Data Sheet

SM01W01VXNN4G1 13-inch reel solder pad/solder side

Page 6/6

P/N

ASM01W0164-4G16

2015/03/10

