

# Data Sheet

## RT10NxxHGLU

Page 1/4

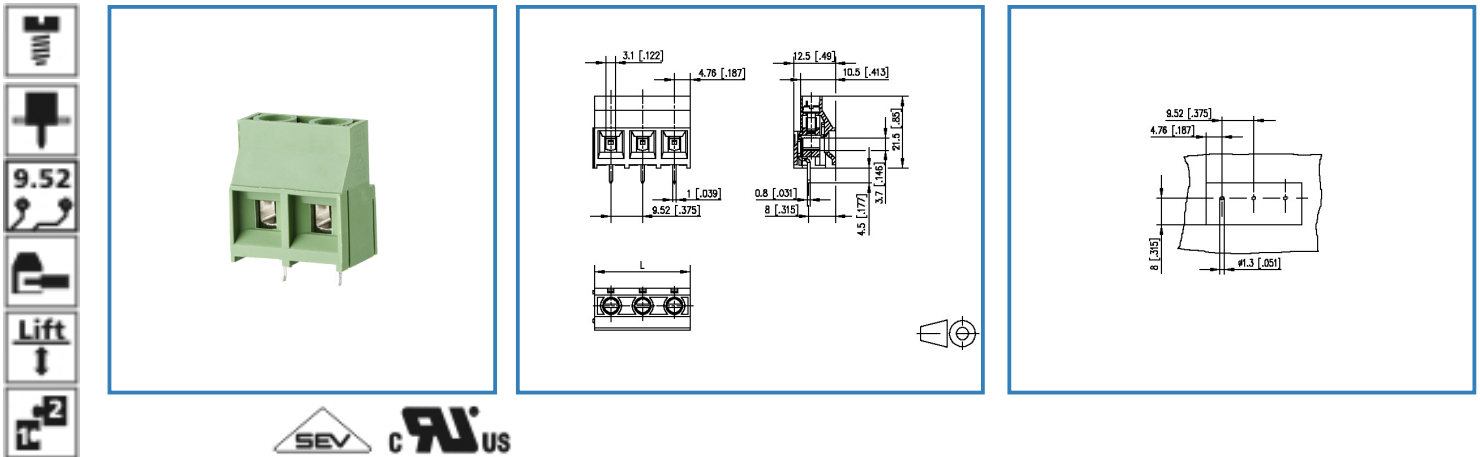
P/N

317031xx

xx=number of poles

2015/03/16

### Illustration



see enlarged drawing at the end of the document

### Product specification

- screw type terminal block, solderable
- centerline 9.52 mm, direction of connection 90°
- lift system, modular
- color green
- Connection data

**CRIUS** V / A / AWG 300 / 30 / 26 - 10

**SEV** 4 mm<sup>2</sup> 800 V / 32 A / T60

# Data Sheet

## RT10NxxHGLU

Page 2/4

P/N

317031xx

xx=number of poles



2015/03/16

### Technical Data

#### General Data

Tightening torque SEV	0.6 Nm		
Tightening torque UL	5.3 lb-in		
Solder pin length	4.5 mm		
min. number of poles	2		
max. number of poles	3		
Insulating material class	CTI 600		
clearance/creepage dist.	8.5 mm		
protection category	IP 20		
Overvoltage category	III	III	II
Pollution degree	3	2	2
Rated voltage	630 V	1600 V	1600 V
Rated test voltage	8.0 kV	8 kV	8.0 kV

#### Connection data

 V / A / AWG	300 / 30 / 26 - 10
 4 mm <sup>2</sup>	800 V / 32 A / T60

#### Material

insulating material	PA66
flammability class	V0
contact material	CuZn
contact surface	Ni + Sn
terminal body material	CuZn
terminal body surface	Ni
screw surface	Zn Cr(VI)-frei/free
screw thread	M3

#### Climatic properties

upper limit temperature	105 °C
lower limit temperature	-40 °C

#### General

solderability	Acc. to JEDEC JESD22-B102E 245°C/5s
Tolerance	ISO 2768 -mH

# Data Sheet

## RT10NxxHGLU

Page 3/4

P/N

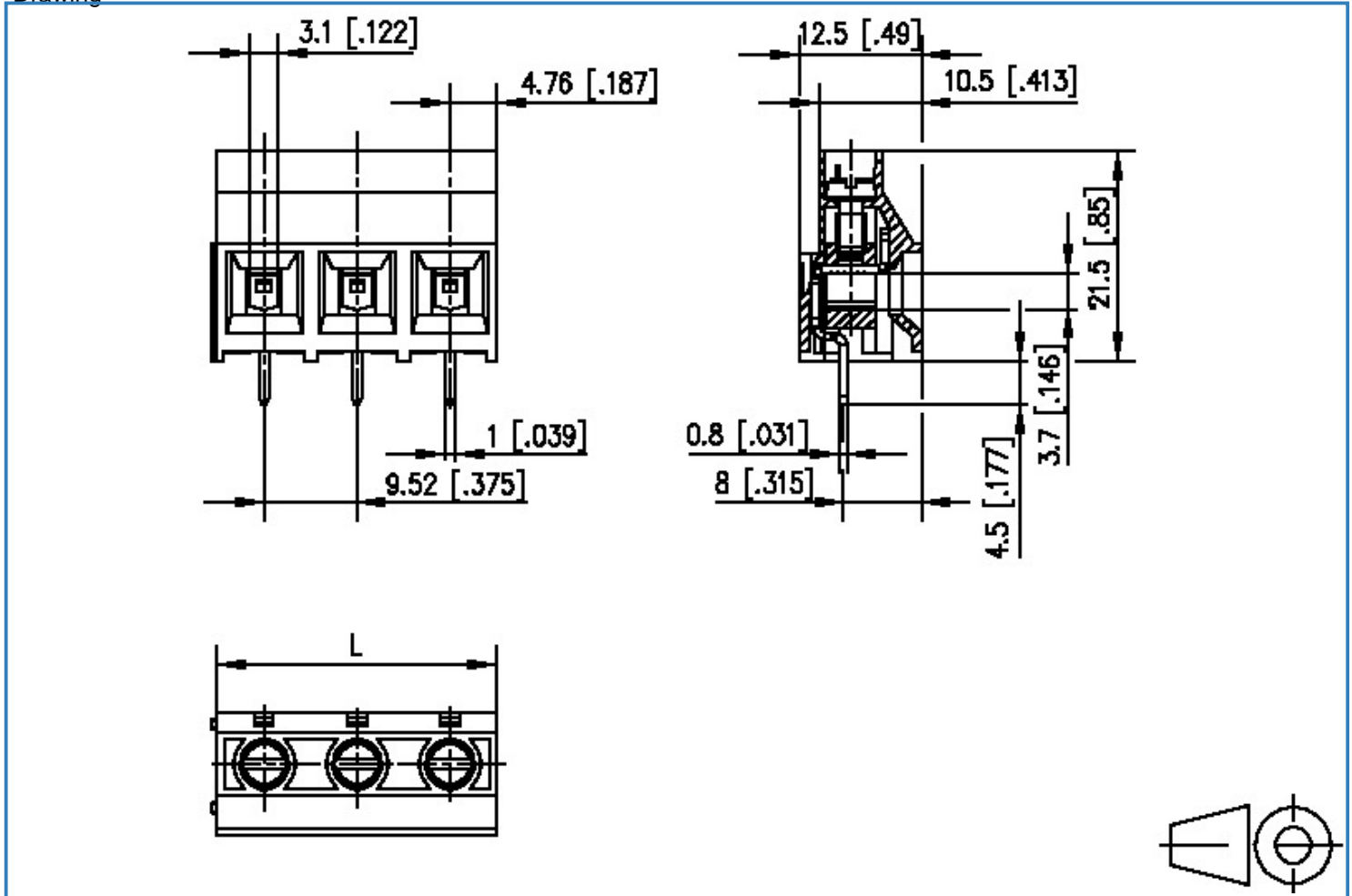
317031xx

xx=number of poles

2015/03/16

### Illustration

Drawing



$$L = (\text{pole size} - 1) \times \text{centerline} + 9.52 [0.375]$$



# Data Sheet

## RT10NxxHGLU

Page 4/4

P/N

317031xx

xx=number of poles

2015/03/16

PCB Layout

