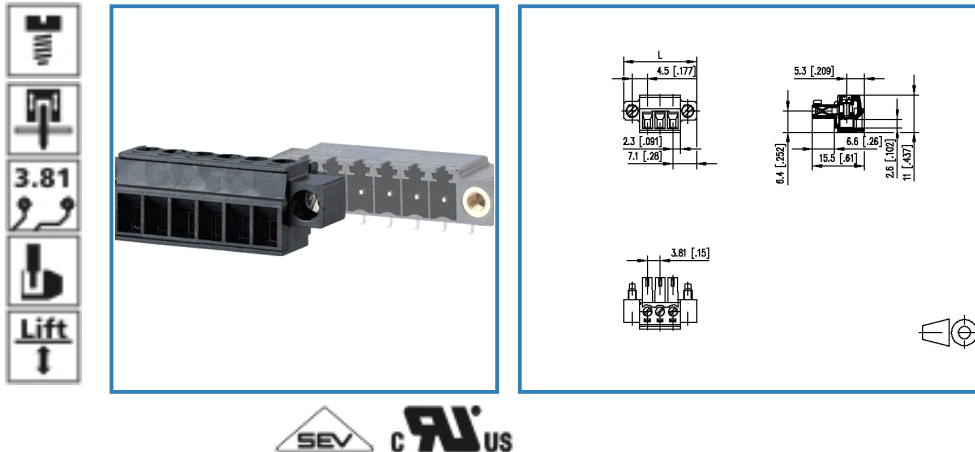


Data Sheet

RP034xxVBLF

Illustration



see enlarged drawing at the end of the document

Product specification

- screw type terminal block, pluggable
- centerline 3.81 mm, direction of connection vertical 0°
- lift system
- color black, mounting flange
- wire entry uncodeable side perpendicular to plug direction
- Connection data

cRUUS V / A / AWG 300 / 8 / 28 - 16

SEV 9 A / 160 V / 2.5 kV / 3 / IEC 61984 / 0.08 - 1.5 mm²



Data Sheet

RP034xxVBLF

Page 2/4

P/N

313791xx

xx=number of poles



2013/12/05

Technical Data

General Data

Tightening torque SEV	0.25 Nm		
Tightening torque UL	3 lb-in		
min. number of poles	2		
max. number of poles	24		
Insulating material class	CTI 600		
clearance/creepage dist.	3.5 mm		
protection category	IP 20		
Overvoltage category	III	III	II
Pollution degree	3	2	2
Rated voltage	250 V	630 V	630 V
Rated test voltage	4.0 kV	4.0 kV	4 kV

Connection data

 US V / A / AWG	300 / 8 / 28 - 16		
	9 A / 160 V / 2.5 kV / 3 / IEC 61984 / 0.08 - 1.5 mm ²		

Material

insulating material	PA66
flammability class	V0
terminal body material	CuZn
terminal body surface	Ni
screw surface	Zn Cr(VI)-frei/free
screw thread	M2

Climatic properties

upper limit temperature	105 °C
lower limit temperature	-40 °C

General

Tolerance	ISO 2768 -mH
-----------	--------------

Data Sheet

RP034xxVBLF

Page 3/4

P/N

313791xx

xx=number of poles

2013/12/05

Matching Part

P/N	Product name
313901	PR044xxHBBF Typ 390
313911	PR044xxVBBF Typ 391
313921	PT094xxHBBF Typ 392
313931	PT094xxVBBF Typ 393



Data Sheet

RP034xxVBLF

Page 4/4

P/N

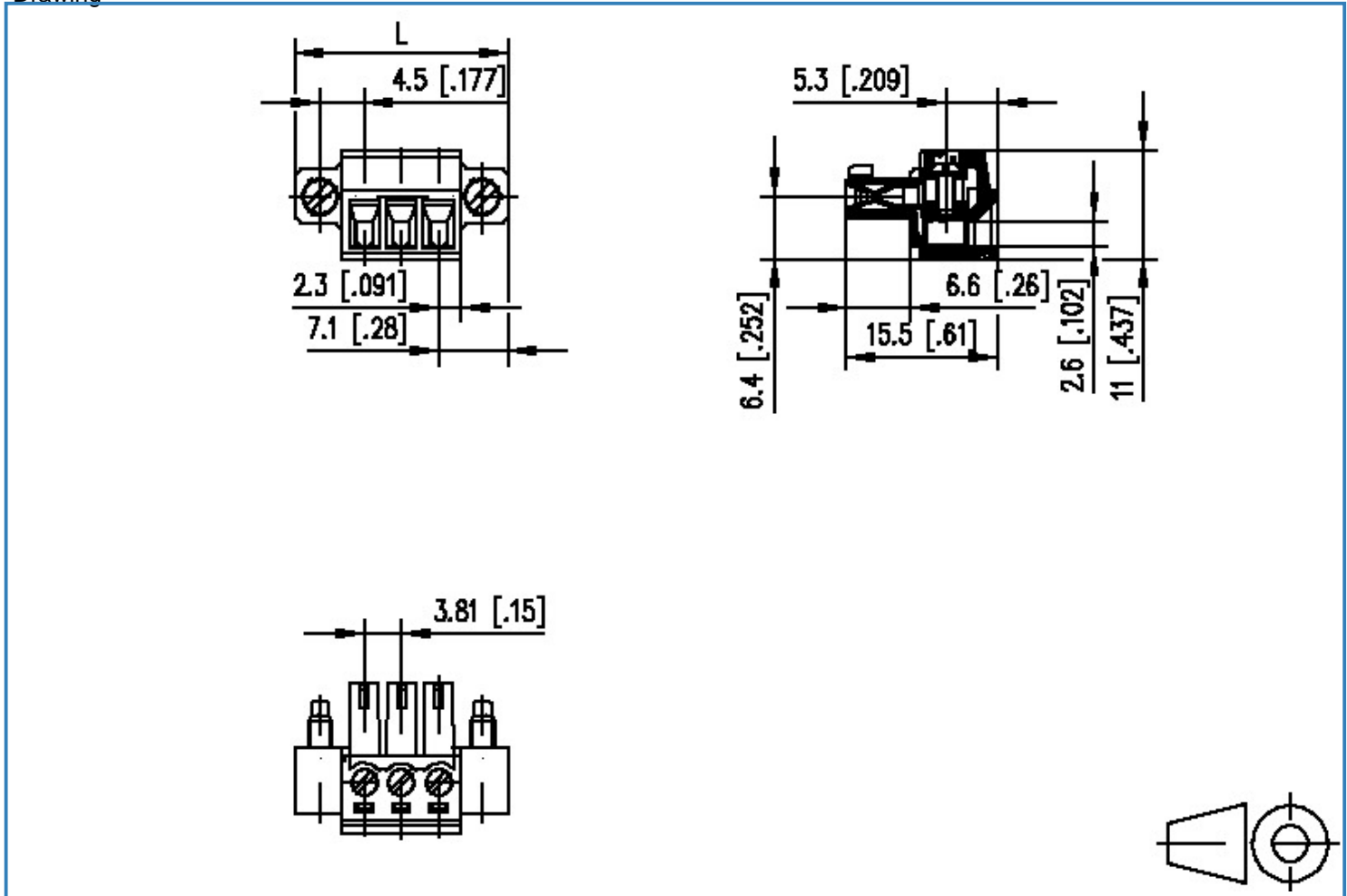
313791xx

xx=number of poles

2013/12/05

Illustration

Drawing



$L = (\text{pole size} - 1) \times \text{centerline} + 14.2 [0.559]$

