

# Data Sheet

## PT115xxHBBF

Page 1/5

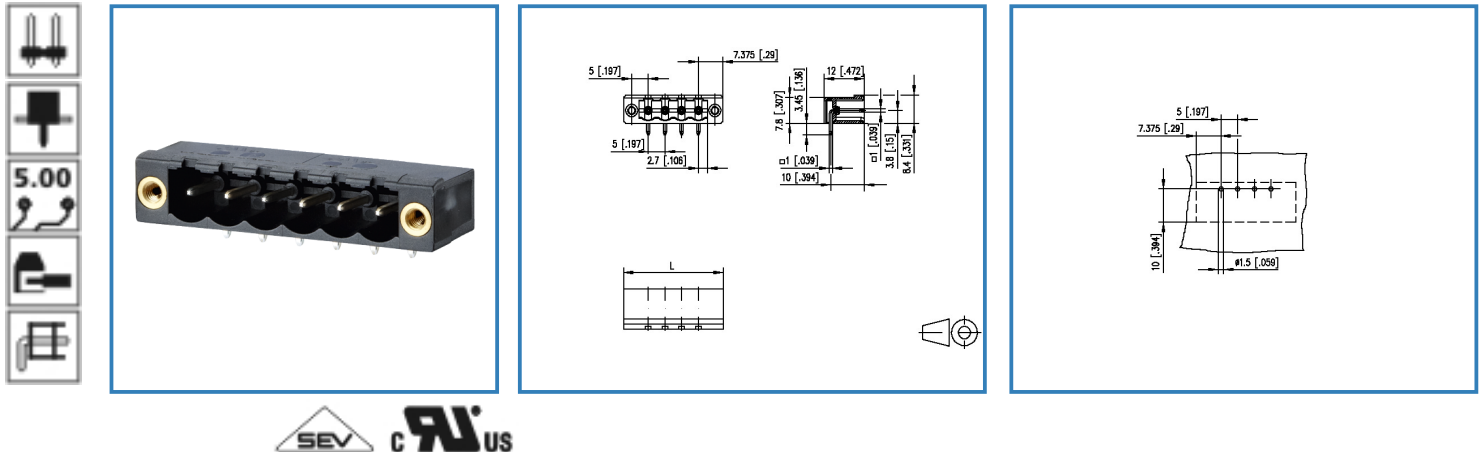
P/N

313361xx

xx=number of poles

2014/01/27

### Illustration



see enlarged drawing at the end of the document

### Product specification

- pin header, solderable
- centerline 5.00 mm, direction of connection 90°
- closed ends
- color black, mounting flange
- codeable
- Connection data

**cRUUS** V / A 300 / 15

**SEV** 13.5 A / 320 V / 4 kV / 3 / IEC 61984



# Data Sheet

## PT115xxHBBF

Page 2/5

P/N

313361xx

xx=number of poles



2014/01/27

### Technical Data

#### General Data

Solder pin length	3.45 mm		
min. number of poles	2		
max. number of poles	24		
Insulating material class	CTI 600		
clearance/creepage dist.	4 mm		
protection category	IP 00		
Overvoltage category	III	III	II
Pollution degree	3	2	2
Rated voltage	320 V	800 V	800 V
Rated test voltage	4 kV	4.0 kV	4 kV

#### Connection data

 V / A	300 / 15
	13.5 A / 320 V / 4 kV / 3 / IEC 61984

#### Material

insulating material	PA66
flammability class	V0
contact pin material	CuFe
contact pin surface	Ni + Ag

#### Climatic properties

upper limit temperature	105 °C
lower limit temperature	-40 °C

#### General

solderability	Acc. to JEDEC JESD22-B102E 245°C/5s
Tolerance	ISO 2768 -mH

# Data Sheet

## PT115xxHBBF

Page 3/5

P/N

313361xx

xx=number of poles

2014/01/27

### Matching Part to

P/N	Product name
313511	RP015xxVBLF Typ 351
ASP125 (on request)	SP125xxVBNN ASP125
SP065XXVBNF	SP065xxVBNF
SP065XXVBPF	SP065xxVBPF

### Accessories

P/N	Product name
700024-01-9	700024
700523-0157 (on request)	Geh_Kappe_swg_Block
700523-0257 (on request)	Geh_Kappe_swg_Block



# Data Sheet

## PT115xxHBBF

Page 4/5

P/N

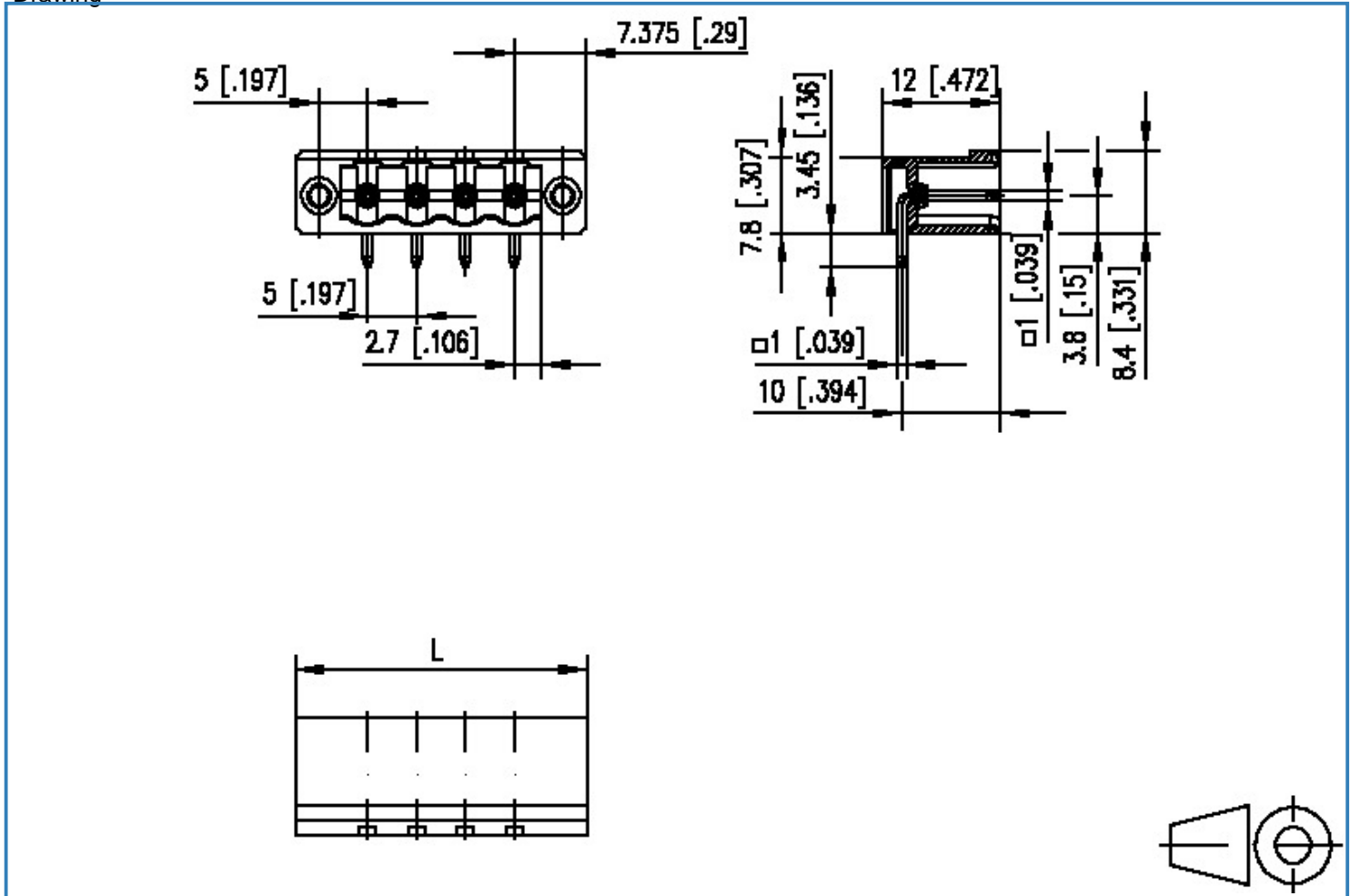
313361xx

xx=number of poles

2014/01/27

### Illustration

Drawing



$$L = (\text{pole size} - 1) \times \text{centerline} + 14.75 [0.581]$$



# Data Sheet

## PT115xxHBBF

Page 5/5

P/N

313361xx

xx=number of poles

2014/01/27

### PCB Layout

