

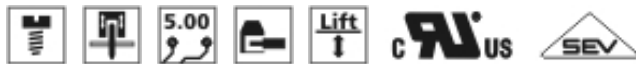
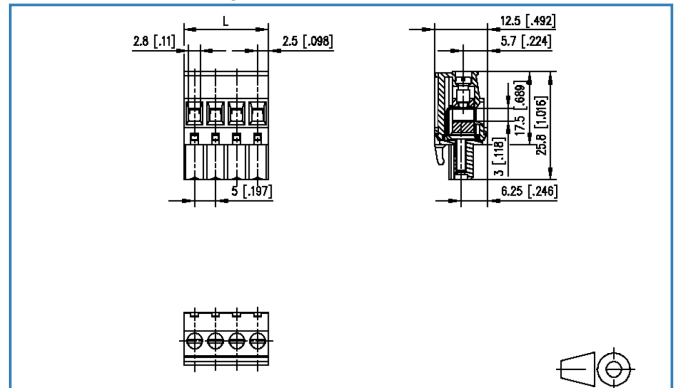
# Data sheet

## RP035xxHBLC Typ 313

### Illustrations



Dimensional drawing





See enlarged drawings at the end of document

### Product specification

- screw type terminal block, pluggable
- centerline 5.00 mm, direction of connection 90°
- lift system, fittable without loss of poles
- color black
- wire entry uncodeable side perpendicular to plug direction

**Technical Data**

General Data			
Tightening torque SEV	0.5 Nm		
Tightening torque UL	4.5 lb-in		
min. number of poles	2		
max. number of poles	24		
Insulating material class	CTI 600		
clearance/creepage dist.	3.2 mm		
protection category	IP20		
Min. insul. strip length	8 mm		
Overvoltage category	III	III	II
Pollution degree	3	2	2
Rated voltage	160 V	400 V	400 V
Rated test voltage	2.5 kV	2.5 kV	2.5 kV
Connection Data			
rat.wiring solid AWGmax	0.08 mm <sup>2</sup> - 2.5 mm <sup>2</sup> / AWG 28 - AWG 12		
rat.wiring strand.AWGmax	0.08 mm <sup>2</sup> - 2.5 mm <sup>2</sup> / AWG 28 - AWG 12		
Approvals			
extended wiring UL	2 AWG 16-18, or 1 AWG 16 stranded with 1 AWG 18 solid, or 1 AWG 16 stranded with 1 AWG 18 stranded		
 V / A / AWG	300 / 16 / 28 - 12		
approval UL - File No.	E121004		
 2.5 mm <sup>2</sup>	320 V / 4 kV / 13.5 A		
Material			
insulating material	PA66		
flammability class	V0		
contact material	CuSn		
contact surface	Sn		
terminal body material	CuZn		
terminal body surface	Ni		
screw surface	Zn Cr(VI)-frei/free		
screw thread	M3		
Glow-Wire Flammability GWFI	960 °C acc. to IEC 60695-2-12		
Glow-Wire Flammability GWIT	775 °C acc. to IEC 60695-2-13		
REACH - substance (SVHC)	Lead / 7439-92-1		

## Data sheet RP035xxHBLC Typ 313

Page 3/6

P/N  
313131xx

xx=number of poles

2019/10/28

Version: R

### Technical Data

#### Climatic Data

upper limit temperature	105 °C
lower limit temperature	-40 °C

#### General

Tolerance	ISO 2768 -mH
-----------	--------------



## Data sheet RP035xxHBLC Typ 313

Page 4/6

P/N  
313131xx

xx=number of poles

2019/10/28

Version: R

### Accessories

P/N	Designation
700025-01-9	700025

© 2019 METZ CONNECT - Technische Änderungen vorbehalten! Subject to modifications! Sous réserve de modifications techniques!



**Data sheet**  
**RP035xxHBLC Typ 313**

Page 5/6

P/N  
313131xx

xx=number of poles

2019/10/28

Version: R

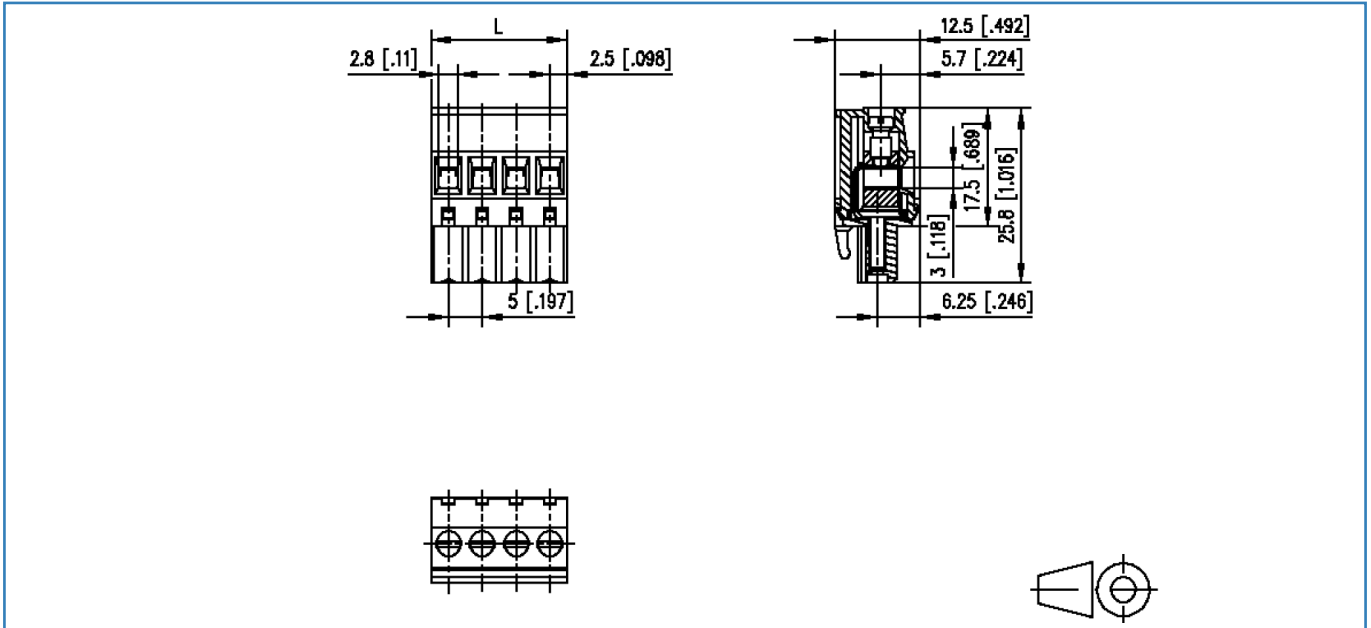
**Counterpart**

P/N	Designation
311761	PR065xxHBBN Typ 176
311771	PR065xxVBBN Typ 177
313191	PT115xxVBEC Typ 319
313201	PT115xxVBBN Typ 320
313291	PT115xxHBEC Typ 329
313301	PT115xxHBBN Typ 330
313371	PR075xxHBEL Typ 337
313381	PR075xxHBER Typ 338
314761	PR065xxHBEC Typ 476
314771	PR065xxVBEC Typ 477



**Illustrations**

Dimensional drawing



$L = (\text{pole size} - 1) \times \text{centerline} + 5 \text{ mm } [0.197]$

© 2019 METZ CONNECT - Technische Änderungen vorbehalten! Subject to modifications! Sous réserve de modifications techniques!