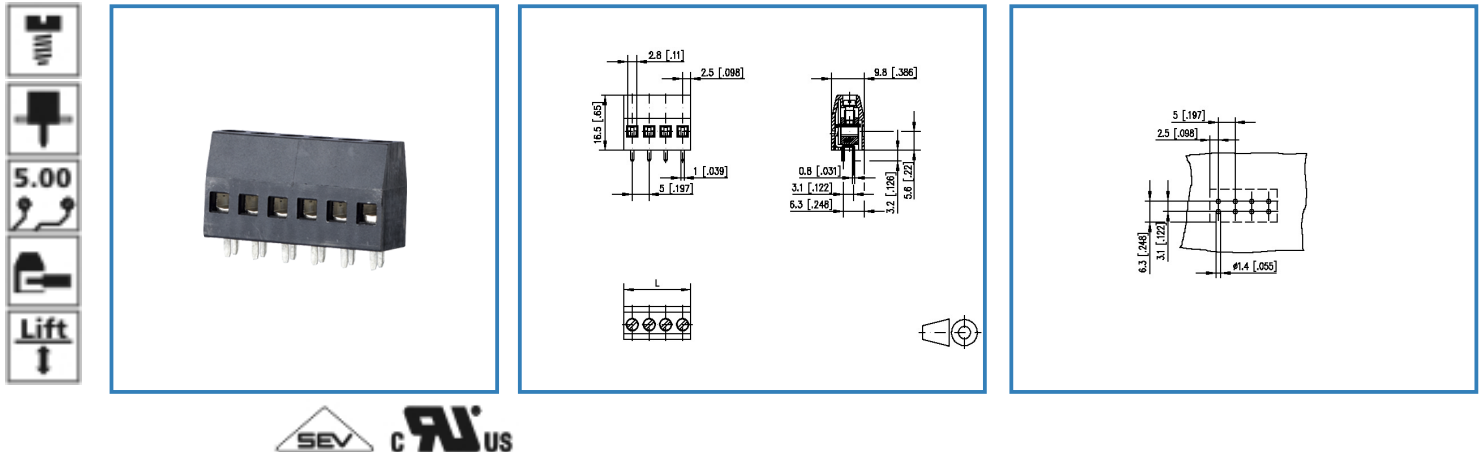


# Data Sheet

## RT145xxMBLC

### Illustration



see enlarged drawing at the end of the document

### Product specification

- screw type terminal block, solderable, double solder pins
- centerline 5.00 mm, direction of connection 90°
- lift system, fittable without loss of poles
- color black
- multiple pins
- Connection data

**cRUUS** V / A / AWG 300 / 15 / 28 - 12

**SEV** 2.5 mm<sup>2</sup> 250 V / 16 A / T60



# Data Sheet



## RT145xxMBLC

### Technical Data

#### General Data

|                           |         |        |       |
|---------------------------|---------|--------|-------|
| Tightening torque SEV     | 0.5 Nm  |        |       |
| Tightening torque UL      | 6 lb-in |        |       |
| Solder pin length         | 3.2 mm  |        |       |
| min. number of poles      | 2       |        |       |
| max. number of poles      | 24      |        |       |
| Insulating material class | CTI 600 |        |       |
| clearance/creepage dist.  | 4 mm    |        |       |
| protection category       | IP 20   |        |       |
| Overvoltage category      | III     | III    | II    |
| Pollution degree          | 3       | 2      | 2     |
| Rated voltage             | 320 V   | 800 V  | 800 V |
| Rated test voltage        | 4 kV    | 4.0 kV | 4 kV  |

#### Connection data

|                                                                                                        |                    |
|--------------------------------------------------------------------------------------------------------|--------------------|
|  V / A / AWG         | 300 / 15 / 28 - 12 |
|  2.5 mm <sup>2</sup> | 250 V / 16 A / T60 |

#### Material

|                        |                     |
|------------------------|---------------------|
| insulating material    | PA66                |
| flammability class     | V0                  |
| terminal body material | CuZn                |
| terminal body surface  | Ni                  |
| screw surface          | Zn Cr(VI)-frei/free |
| screw thread           | M3                  |

#### Climatic properties

|                         |        |
|-------------------------|--------|
| upper limit temperature | 105 °C |
| lower limit temperature | -40 °C |

#### General

|               |                                     |
|---------------|-------------------------------------|
| solderability | Acc. to JEDEC JESD22-B102E 245°C/5s |
| Tolerance     | ISO 2768 -mH                        |



# Data Sheet

## RT145xxMBLC

Page 3/4

P/N

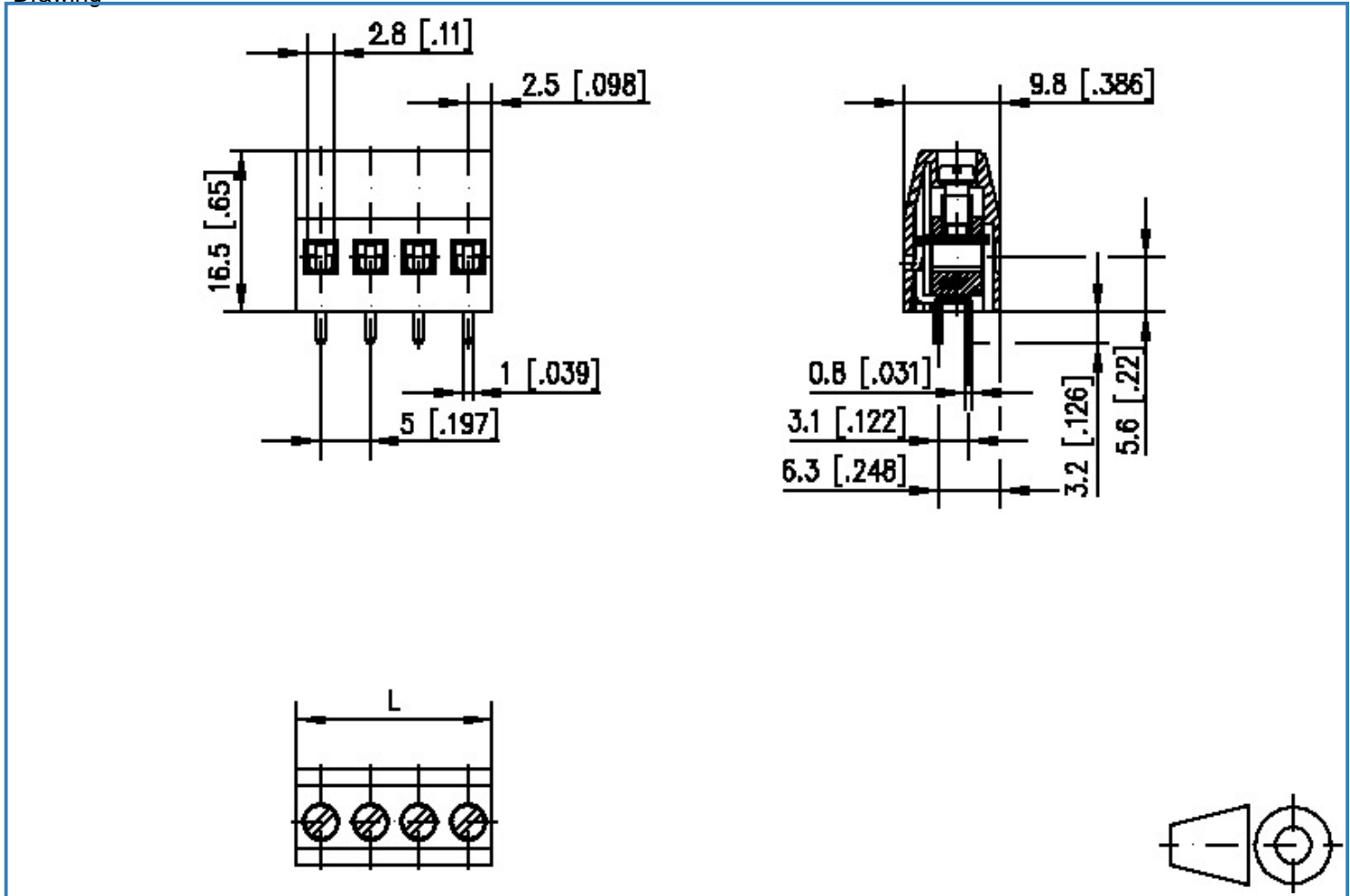
312691xx

xx=number of poles

2014/01/27

### Illustration

Drawing



$L = (\text{pole size} - 1) \times \text{centerline} + 5 [0.197]$



# Data Sheet

## RT145xxMBLC

Page 4/4

P/N

312691xx

xx=number of poles

2014/01/27

### PCB Layout

