

Data Sheet

PT116xxVBBF

Page 1/5

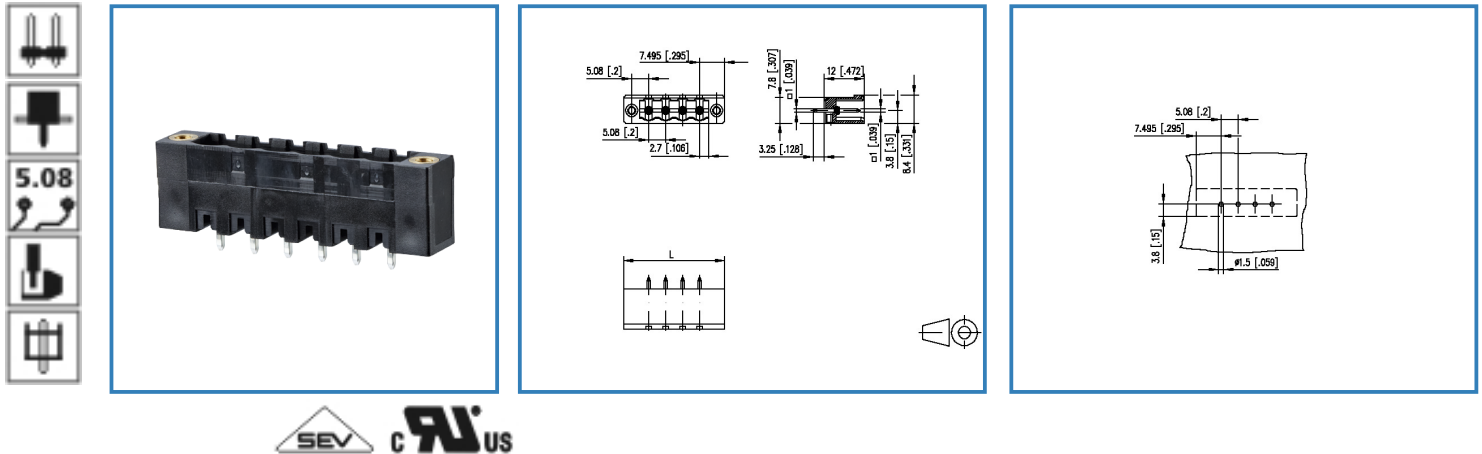
P/N

312351xx

xx=number of poles

2014/01/27

Illustration



see enlarged drawing at the end of the document

Product specification

- pin header, solderable
- centerline 5.08 mm, direction of connection vertical 0°
- closed ends
- color black, mounting flange
- codeable
- Connection data

cRUUS V / A 300 / 15

SEV 13.5 A / 320 V / 4 kV / 3 / IEC 61984



Data Sheet

PT116xxVBBF

Page 2/5

P/N

312351xx

xx=number of poles



2014/01/27

Technical Data

General Data

Solder pin length	3.25 mm		
min. number of poles	2		
max. number of poles	24		
Insulating material class	CTI 600		
clearance/creepage dist.	4.08 mm		
protection category	IP 00		
Overvoltage category	III	III	II
Pollution degree	3	2	2
Rated voltage	320 V	800 V	800 V
Rated test voltage	4 kV	4.0 kV	4 kV

Connection data

 V / A	300 / 15
	13.5 A / 320 V / 4 kV / 3 / IEC 61984

Material

insulating material	PA66
flammability class	V0
contact pin material	CuFe
contact pin surface	Ni + Ag

Climatic properties

upper limit temperature	105 °C
lower limit temperature	-40 °C

General

solderability	Acc. to JEDEC JESD22-B102E 245°C/5s
Tolerance	ISO 2768 -mH

Data Sheet

PT116xxVBBF

Page 3/5

P/N

312351xx

xx=number of poles

2014/01/27

Matching Part to

P/N	Product name
312171	RP036xxHBLF Typ 217
312181	RP036xxHBLS Typ 218
312511	RP016xxVBLF Typ 251
SP066XXVBNF	SP066xxVBNF
SP066XXVBPF	SP066xxVBPF

Accessories

P/N	Product name
700024-01-9	700024
700523-0157 (on request)	Geh_Kappe_swg_Block
700523-0257 (on request)	Geh_Kappe_swg_Block



Data Sheet

PT116xxVBBF

Page 4/5

P/N

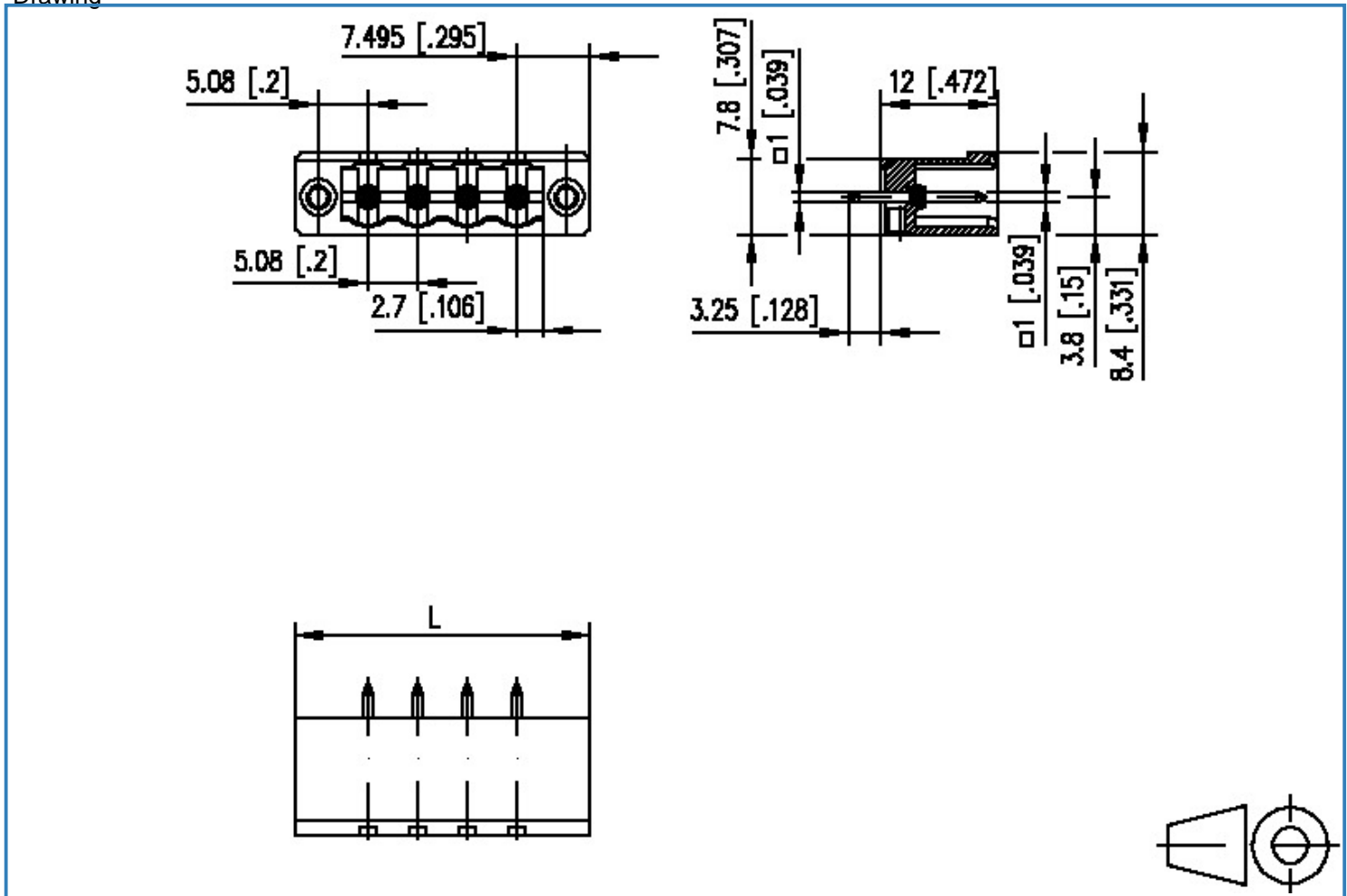
312351xx

xx=number of poles

2014/01/27

Illustration

Drawing



$L = (\text{pole size} - 1) \times \text{centerline} + 14.99 [0.59]$



Data Sheet

PT116xxVBBF

Page 5/5

P/N

312351xx

xx=number of poles

2014/01/27

PCB Layout

