

Data Sheet

RP036xxHBL5

Page 1/4

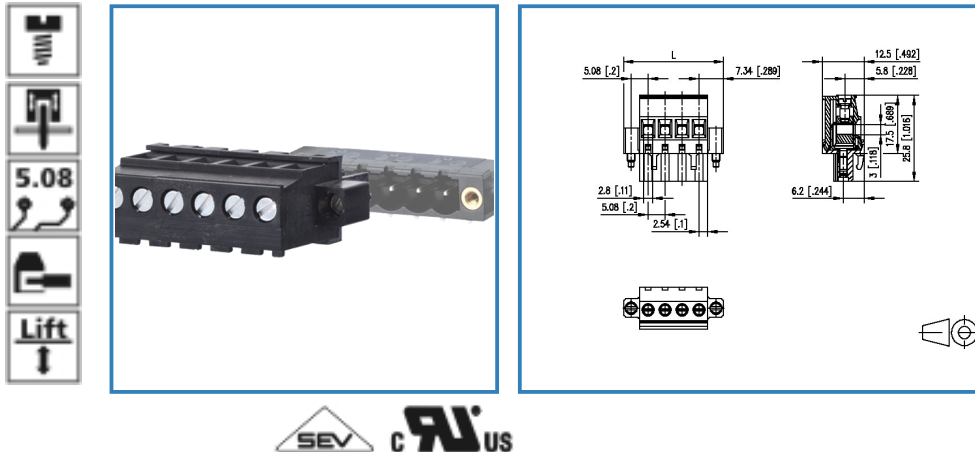
P/N

312181xx

xx=number of poles

2013/12/05

Illustration



see enlarged drawing at the end of the document

Product specification

- screw type terminal block, pluggable
- centerline 5.08 mm, direction of connection 90°
- lift system
- color black, mounting flange
- wire entry codeable side perpendicular to plug direction
- Connection data

cRUUS V / A / AWG 300 / 12 / 28 - 12

SEV 13.5 A / 320 V / 4 kV / 3 / IEC 61984 / 0.08 - 2.5 mm²

Data Sheet

RP036xxHBLS

Page 2/4

P/N

312181xx

xx=number of poles



2013/12/05

Technical Data

General Data

| | | | |
|---------------------------|-----------|--------|-------|
| Tightening torque SEV | 0.5 Nm | | |
| Tightening torque UL | 4.5 lb-in | | |
| min. number of poles | 2 | | |
| max. number of poles | 12 | | |
| Insulating material class | CTI 600 | | |
| clearance/creepage dist. | 3.2 mm | | |
| protection category | IP 20 | | |
| Overvoltage category | III | III | II |
| Pollution degree | 3 | 2 | 2 |
| Rated voltage | 250 V | 630 V | 630 V |
| Rated test voltage | 4.0 kV | 4.0 kV | 4 kV |

Connection data

| | |
|--|--|
|  V / A / AWG | 300 / 12 / 28 - 12 |
|  | 13.5 A / 320 V / 4 kV / 3 / IEC 61984 / 0.08 - 2.5 mm ² |

Material

| | |
|------------------------|---------------------|
| insulating material | PA66 |
| flammability class | V0 |
| terminal body material | CuZn |
| terminal body surface | Ni |
| screw surface | Zn Cr(VI)-frei/free |
| screw thread | M3 |

Climatic properties

| | |
|-------------------------|--------|
| upper limit temperature | 105 °C |
| lower limit temperature | -40 °C |

General

| | |
|-----------|--------------|
| Tolerance | ISO 2768 -mH |
|-----------|--------------|



Data Sheet

RP036xxHBL5

Page 3/4

P/N

312181xx

xx=number of poles

2013/12/05

Matching Part

| P/N | Product name |
|--------|---------------------|
| 312351 | PT116xxVBBF Typ 235 |
| 312361 | PT116xxHBBF Typ 236 |

Accessories

| P/N | Product name |
|-------------|--------------|
| 700025-01-9 | 700025 |



Data Sheet

RP036xxHBL5

Page 4/4

P/N

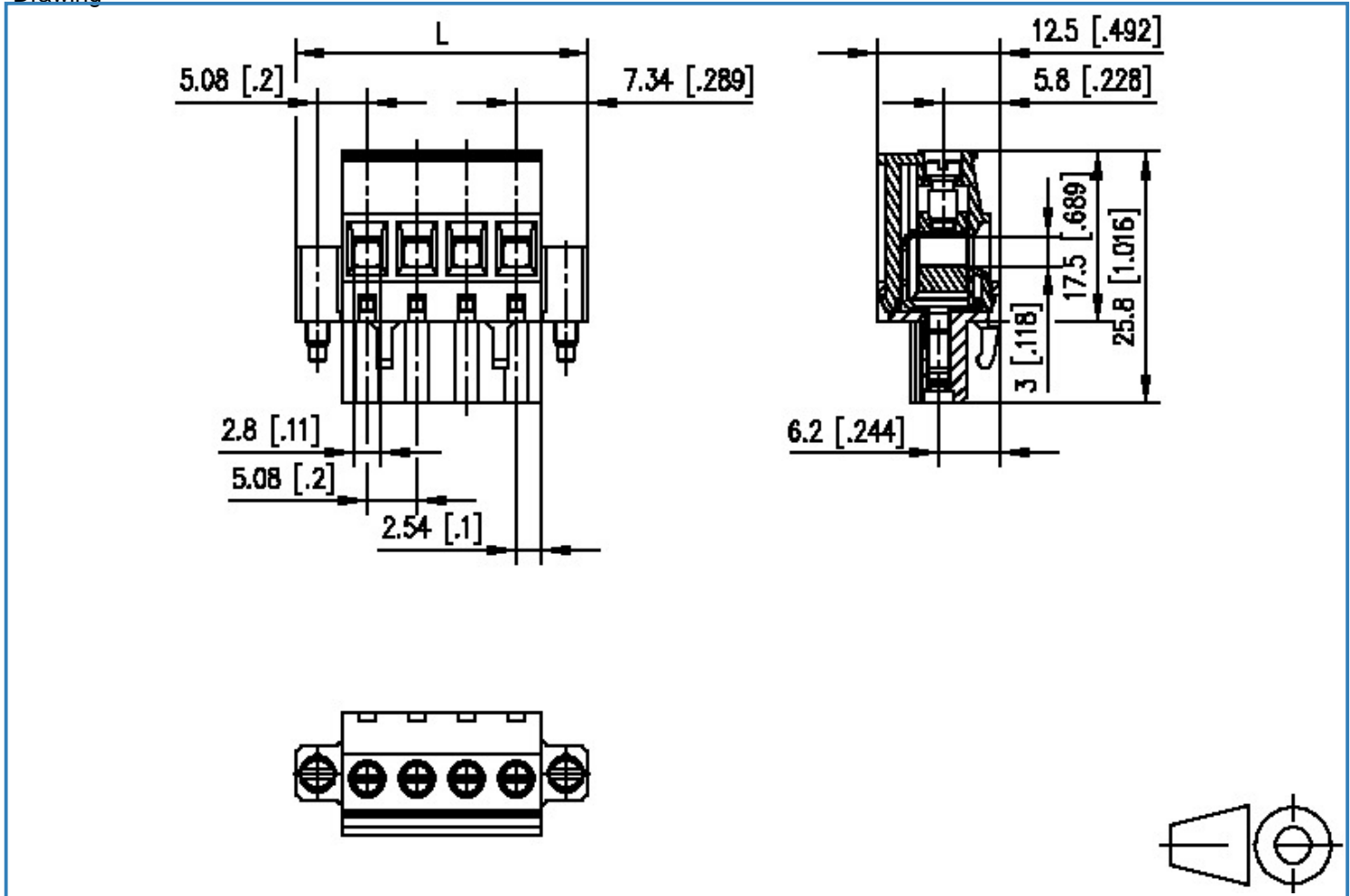
312181xx

xx=number of poles

2013/12/05

Illustration

Drawing



$L = (\text{pole size} - 1) \times \text{centerline} + 14.68 [0.578]$