

# Data Sheet

## FT143xxVBFC

Page 1/5

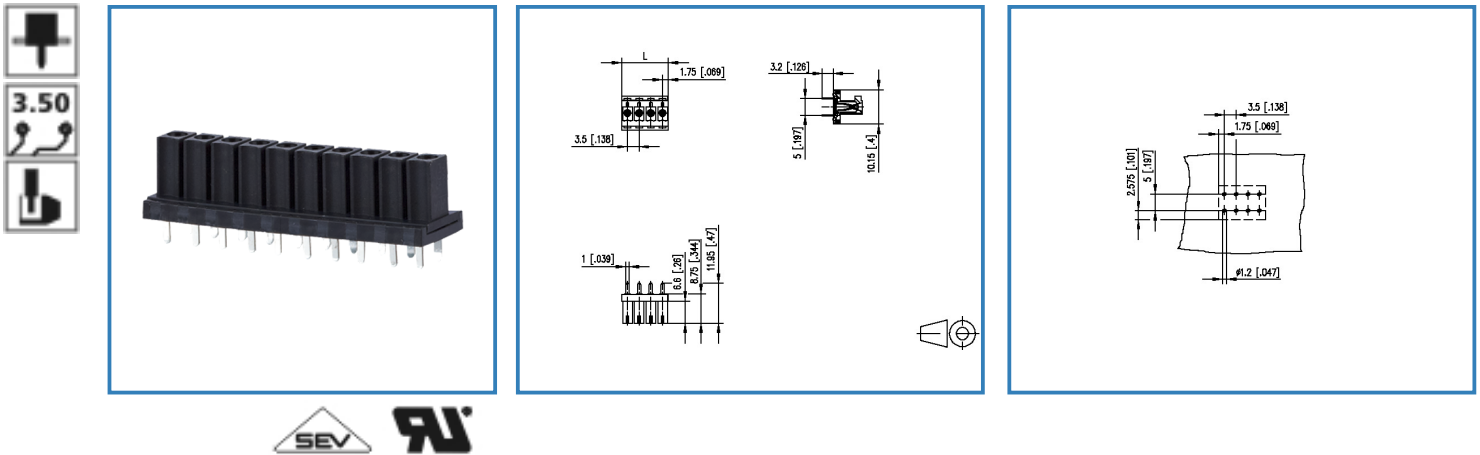
P/N

310891xx

xx=number of poles

2015/03/26

### Illustration



see enlarged drawing at the end of the document

### Product specification

- female connector, solderable, double solder pins
- centerline 3.50 mm, direction of connection vertical 0°
- fittable without loss of poles
- color black
- board-to-board connection with headers centerline 3.50 mm / 0.138 inches possible
- Connection data

**RA** V / A 300 / 10

**SEV** 10 A / 130 V / 2.5 kV / 3 / IEC 61984

# Data Sheet

## FT143xxVBFC

Page 2/5

P/N

310891xx

xx=number of poles



2015/03/26

### Technical Data

#### General Data

Solder pin length	3.2 mm		
min. number of poles	2		
max. number of poles	4		
Insulating material class	CTI 600		
clearance/creepage dist.	2.5 mm		
protection category	IP 20		
Overvoltage category	III	III	II
Pollution degree	3	2	2
Rated voltage	200 V	500 V	500 V
Rated test voltage	2.5 kV	2.5 kV	2.5 kV

#### Connection data

 V / A	300 / 10		
	10 A / 130 V / 2.5 kV / 3 / IEC 61984		

#### Material

insulating material	PA66
flammability class	V0
contact material	CuSn
contact surface	Sn

#### Climatic properties

upper limit temperature	105 °C
lower limit temperature	-40 °C

#### General

solderability	Acc. to JEDEC JESD22-B102E 245°C/5s
Tolerance	ISO 2768 -mH

# Data Sheet

## FT143xxVBFC

Page 3/5

P/N

310891xx

xx=number of poles

2015/03/26

### Matching Part

P/N	Product name
311881	PR043xxHBBN Typ 188
311891	PR043xxVBBN Typ 189
313421	PT093xxHBBN Typ 342
313431	PT093xxVBBN Typ 343



# Data Sheet

## FT143xxVBFC

Page 4/5

P/N

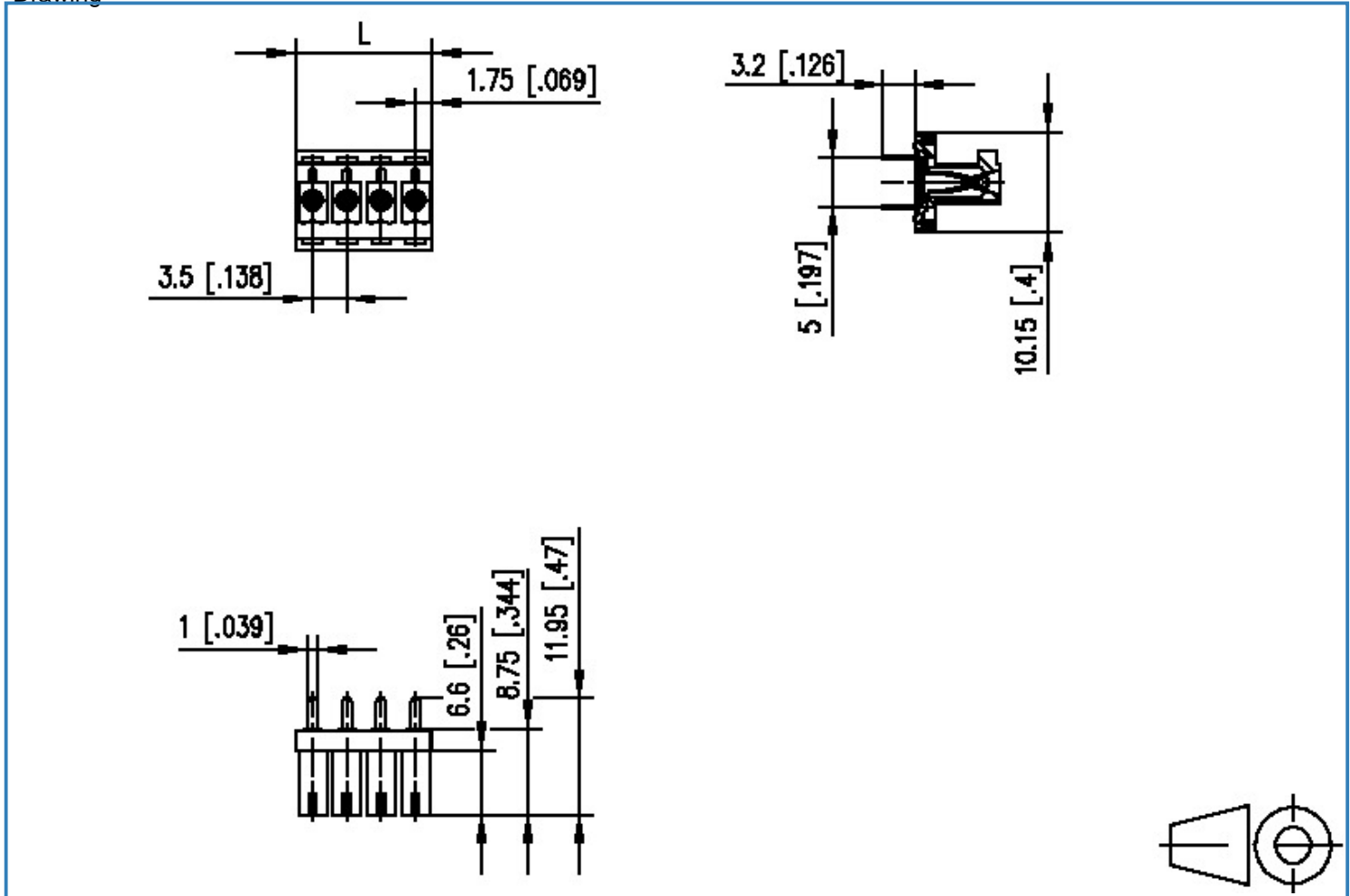
310891xx

xx=number of poles

2015/03/26

### Illustration

Drawing



$L = (\text{pole size} - 1) \times \text{centerline} + 3.5 [0.138]$



# Data Sheet

## FT143xxVBFC

Page 5/5

P/N

310891xx

xx=number of poles

2015/03/26

PCB Layout

