

Data Sheet

RT025xxOGLU

Page 1/4

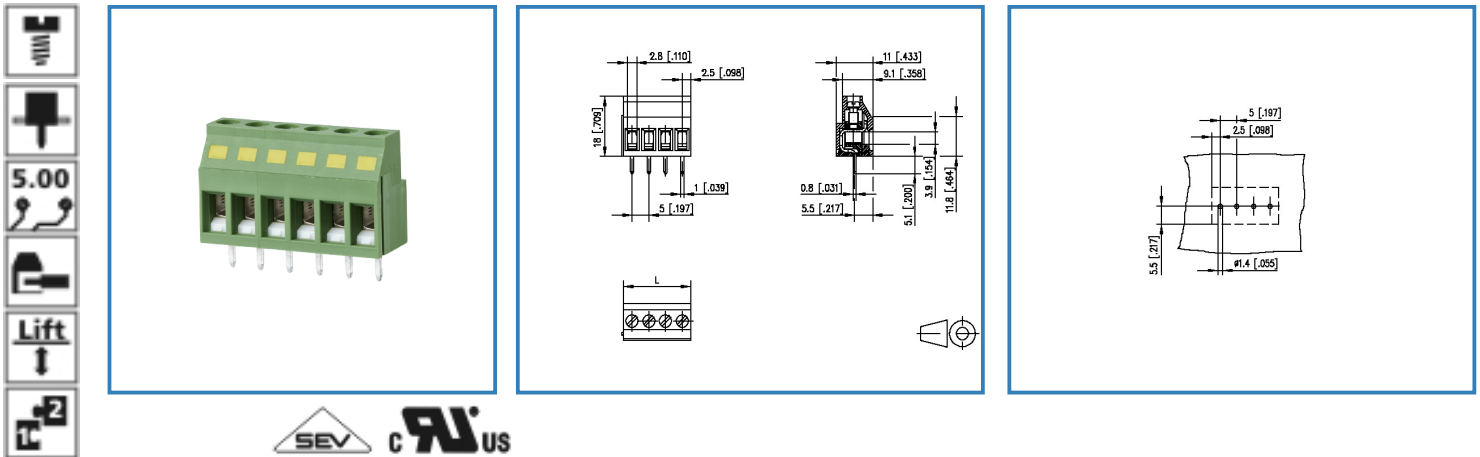
P/N

310651xx

xx=number of poles

2015/03/11

Illustration



see enlarged drawing at the end of the document

Product specification

- screw type terminal block, solderable
- centerline 5.00 mm, direction of connection 90°
- lift system, modular
- color green
- distribution terminal block, all poles with same potential, insulating proof
- Connection data

CRIAUS V / A / AWG 300 / 20 / 22 - 12

SEV 2.5 mm² 250 V / 24 A / T60

Data Sheet



RT025xxOGLU

Technical Data

General Data

Tightening torque SEV	0.5 Nm		
Tightening torque UL	6 lb-in		
Solder pin length	5.1 mm		
min. number of poles	2		
max. number of poles	12		
Insulating material class	CTI 600		
clearance/creepage dist.	4 mm		
protection category	IP 20		
Overvoltage category	III	III	II
Pollution degree	3	2	2
Rated voltage	320 V	800 V	800 V
Rated test voltage	4 kV	4.0 kV	4 kV

Connection data

 V / A / AWG	300 / 20 / 22 - 12
 2.5 mm ²	250 V / 24 A / T60

Material

insulating material	PA66
flammability class	V0
contact material	CuZn
contact surface	Ni + Sn
terminal body material	CuZn
terminal body surface	Cu + Ni
screw surface	Zn Cr(VI)-frei/free
screw thread	M3

Climatic properties

upper limit temperature	105 °C
lower limit temperature	-40 °C

General

solderability	Acc. to JEDEC JESD22-B102E 245°C/5s
Tolerance	ISO 2768 -mH



Data Sheet

RT025xxOGLU

Page 3/4

P/N

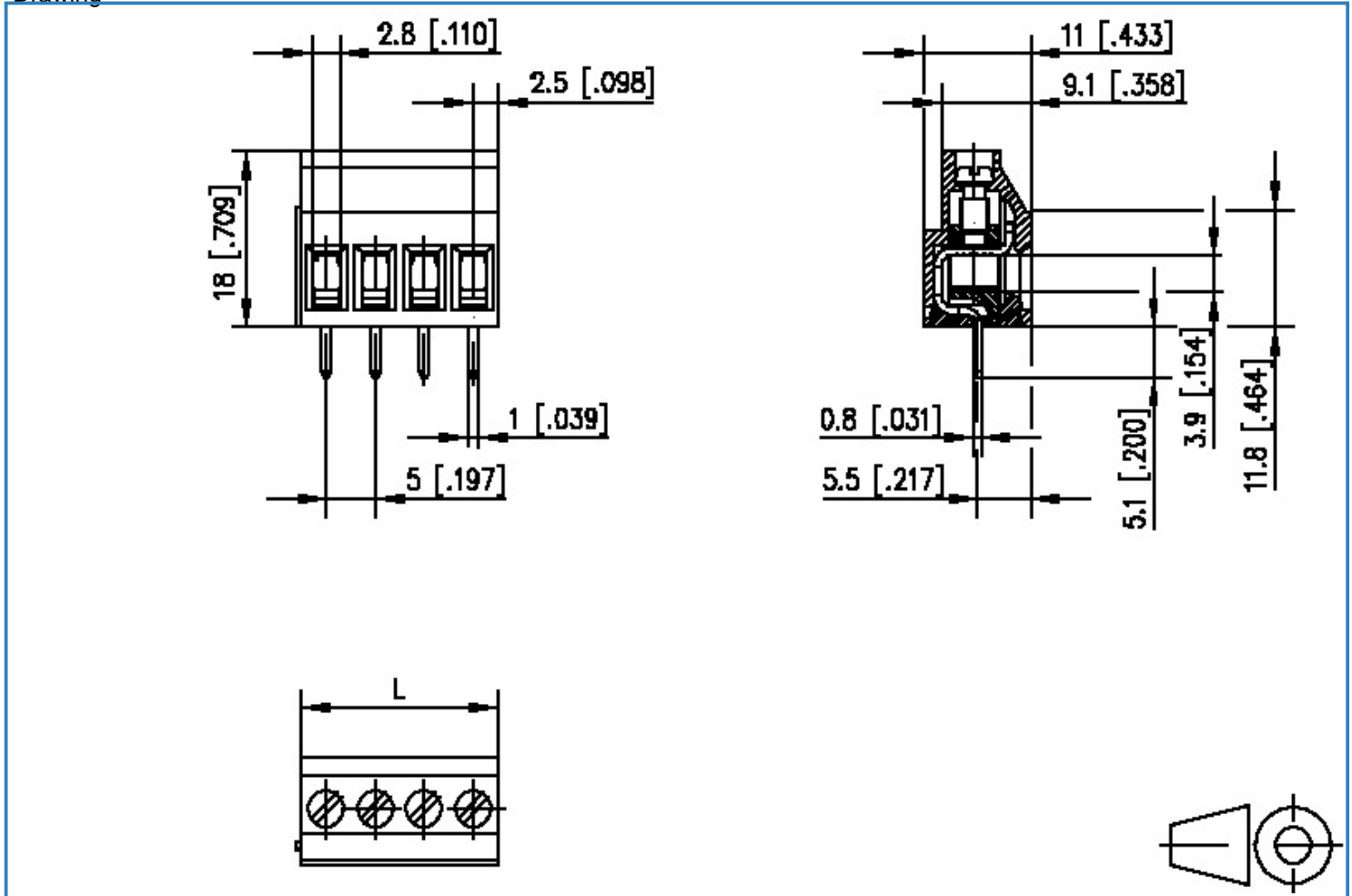
310651xx

xx=number of poles

2015/03/11

Illustration

Drawing



$L = (\text{pole size} - 1) \times \text{centerline} + 5 [0.197]$



Data Sheet

RT025xxOGLU

Page 4/4

P/N

310651xx

xx=number of poles

2015/03/11

PCB Layout

