

Data Sheet

PT065xxVBN

Page 1/4

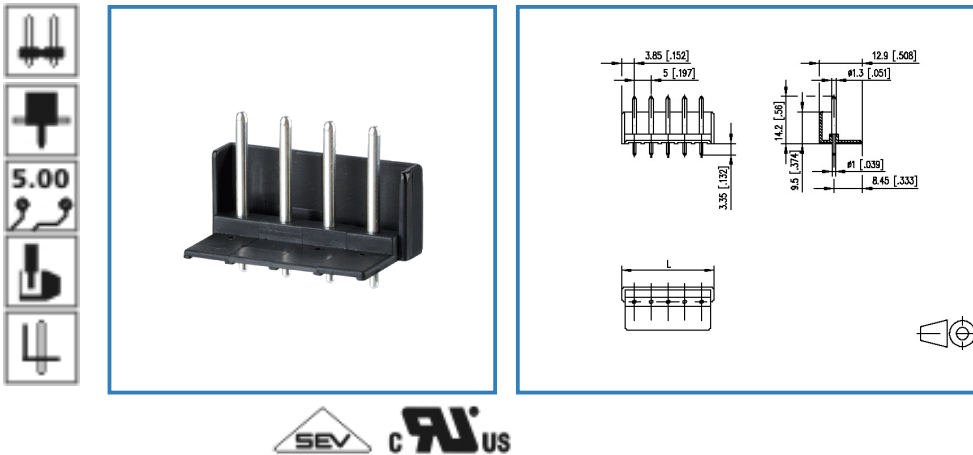
P/N

310421xx

xx=number of poles

2015/06/09

Illustration



see enlarged drawing at the end of the document

Product specification

- pin header, solderable
- centerline 5.00 mm, direction of connection vertical 0°
- open ends, guiding ribs
- color black
- Connection data

RIA US V / A 300 / 15

SEV 10 A / 250 V / 4 kV / 3 / IEC 61984

Data Sheet



PT065xxVBN

Technical Data

General Data

| | | | |
|---------------------------|---------|--------|-------|
| Solder pin length | 3.35 mm | | |
| min. number of poles | 2 | | |
| max. number of poles | 12 | | |
| Insulating material class | CTI 600 | | |
| clearance/creepage dist. | 3.7 mm | | |
| protection category | IP 00 | | |
| Overvoltage category | III | III | II |
| Pollution degree | 3 | 2 | 2 |
| Rated voltage | 250 V | 630 V | 630 V |
| Rated test voltage | 4.0 kV | 4.0 kV | 4 kV |

Connection data

| | |
|--|-------------------------------------|
|  V / A | 300 / 15 |
|  | 10 A / 250 V / 4 kV / 3 / IEC 61984 |

Material

| | |
|----------------------|---------|
| insulating material | PA66 |
| flammability class | V0 |
| contact pin material | CuZn |
| contact pin surface | Ni + Ag |

Climatic properties

| | |
|-------------------------|--------|
| upper limit temperature | 105 °C |
| lower limit temperature | -40 °C |

General

| | |
|---------------|-------------------------------------|
| solderability | Acc. to JEDEC JESD22-B102E 245°C/5s |
| Tolerance | ISO 2768 -mH |



Data Sheet

PT065xxVBN

Page 3/4

P/N

310421xx

xx=number of poles

2015/06/09

Matching Part to

| P/N | Product name |
|--------|---------------------|
| 310071 | RP025xxIBWC Typ 007 |
| 310771 | RP025xxIBWU Typ 077 |
| 311071 | RP025xxHBWC Typ 107 |



Data Sheet

PT065xxVBN

Page 4/4

P/N

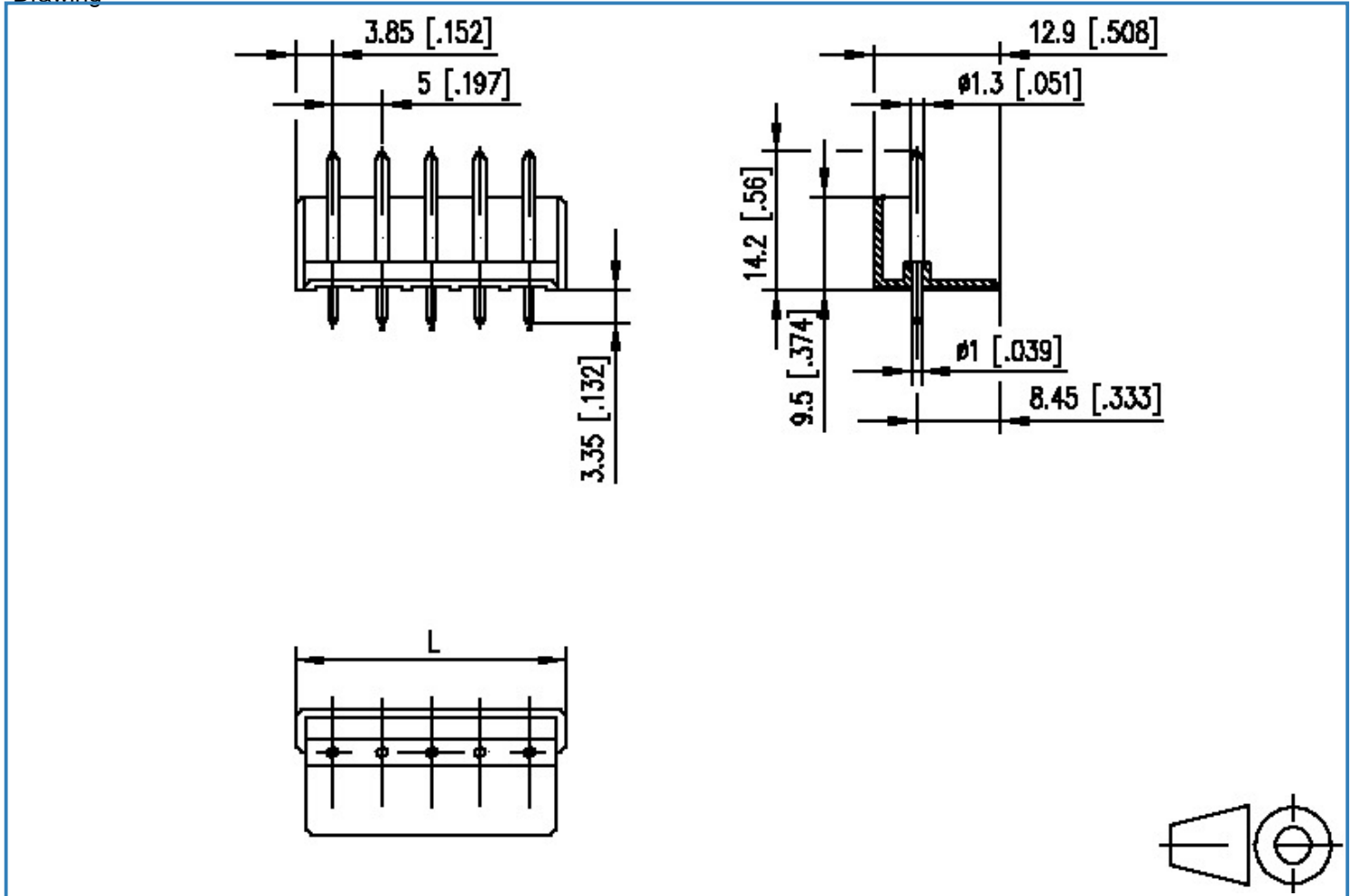
310421xx

xx=number of poles

2015/06/09

Illustration

Drawing



$$L = (\text{pole size} - 1) \times \text{centerline} + 7.7 [0.303]$$