

Data Sheet

PR016xxVBVC

Page 1/5

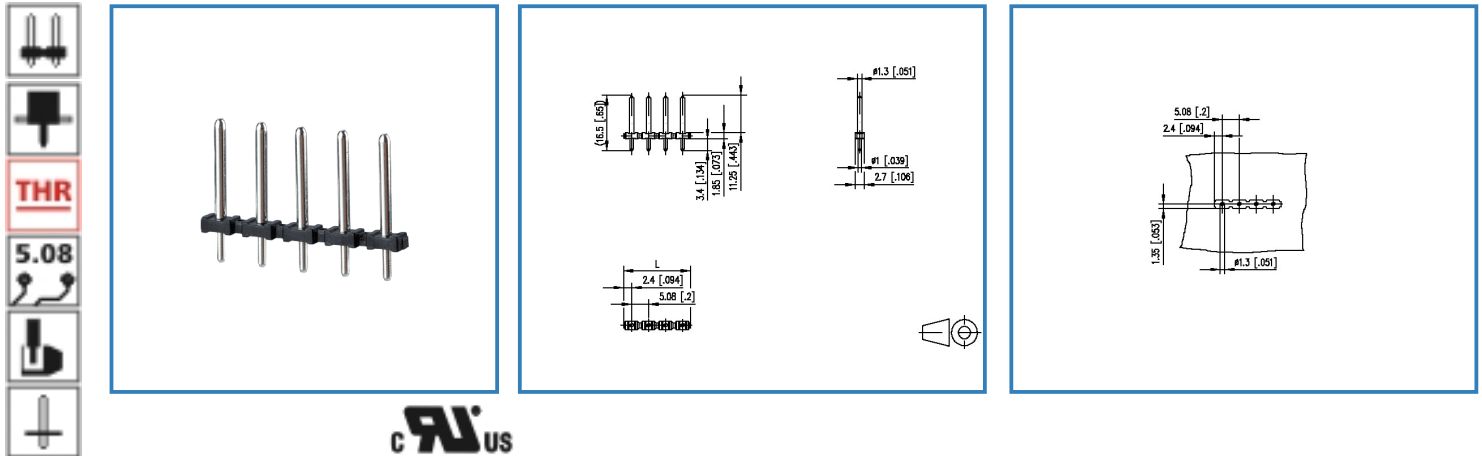
P/N

310281xx

xx=number of poles

2014/01/27

Illustration



see enlarged drawing at the end of the document

Product specification

- pin header, THR solderable
- centerline 5.08 mm, direction of connection vertical 0°
- fittable without loss of poles
- color black
- Connection data

cRUUS V / A 300 / 15

SEV Reg 130002 10 A / 250 V / 4 kV / 3 / IEC 61984



Data Sheet

PR016xxVBVC

Technical Data

General Data

Solder pin length	3.4 mm		
min. number of poles	2		
max. number of poles	24		
Insulating material class	CTI 400		
clearance/creepage dist.	3.78 mm		
protection category	IP 00		
Overvoltage category	III	III	II
Pollution degree	3	2	2
Rated voltage	250 V	500 V	500 V
Rated test voltage	4.0 kV	4 kV	4.0 kV

Connection data

 V / A	300 / 15
SEV Reg 130002	10 A / 250 V / 4 kV / 3 / IEC 61984

Material

insulating material	PA46
flammability class	V0
contact pin material	CuZn
contact pin surface	Ni + Ag

Climatic properties

upper limit temperature	105 °C
lower limit temperature	-40 °C

General

solderability	Acc. to IPC/JEDEC J-STD-020D-MSL 1
Tolerance	ISO 2768 -mH



Data Sheet

PR016xxVBVC

Page 3/5

P/N

310281xx

xx=number of poles

2014/01/27

Matching Part to

P/N

Product name

310791

RP026xxIBWU Typ 079



METZ CONNECT GmbH

Im Tal 2 | 78176 Blumberg | Germany | www.metz-connect.com

Phone +49 7702 533-0 | Fax +49 7702 533-433

Montageanleitung / Mounting instruction siehe / see www.metz-connect.com

Members of METZ CONNECT



Data Sheet

PR016xxVBVC

Page 4/5

P/N

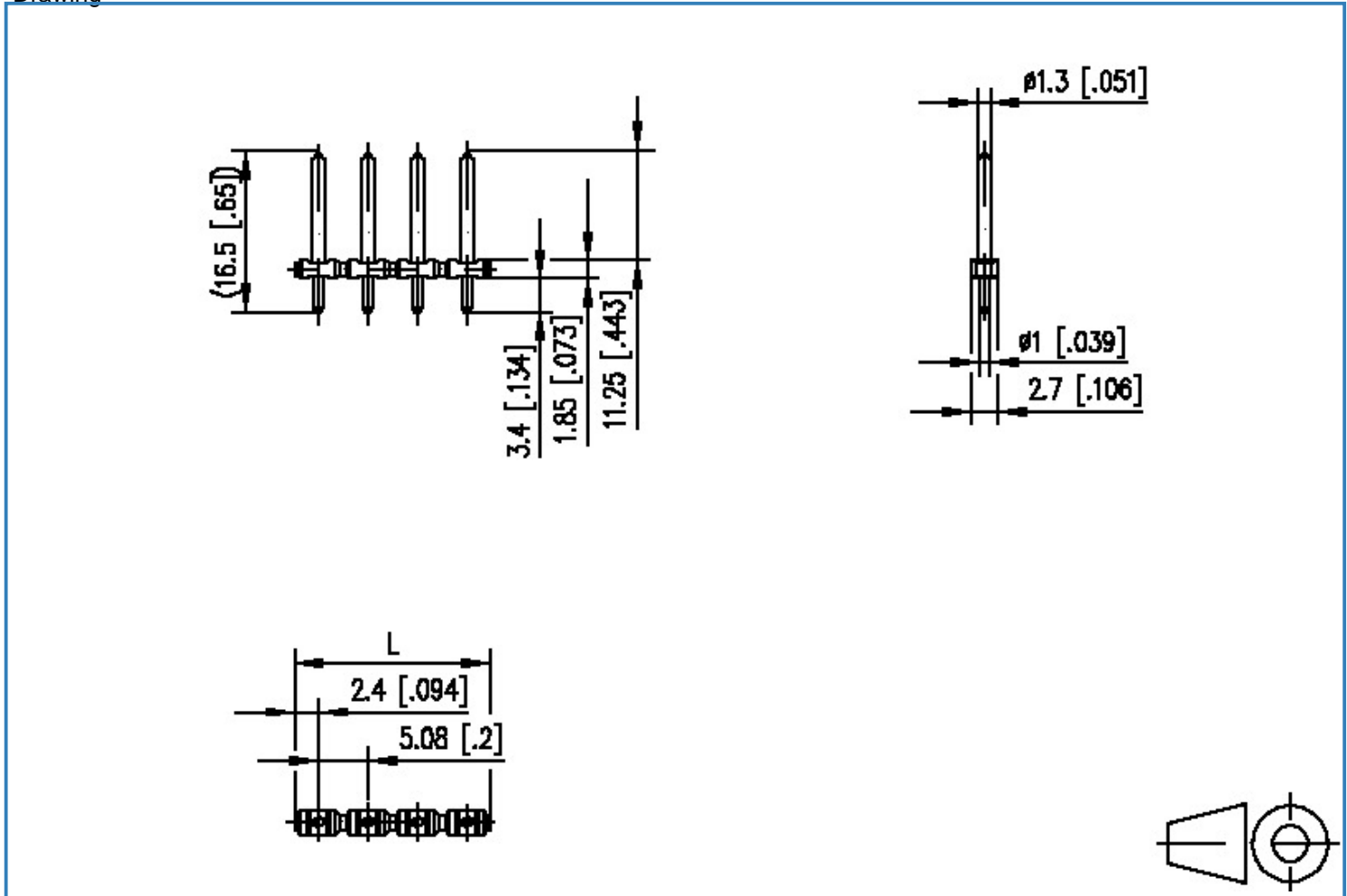
310281xx

xx=number of poles

2014/01/27

Illustration

Drawing



$L = (\text{pole size} - 1) \times \text{centerline} + 4.8 [0.189]$



Data Sheet

PR016xxVBVC

Page 5/5

P/N

310281xx

xx=number of poles

2014/01/27

PCB Layout

