

Data sheet

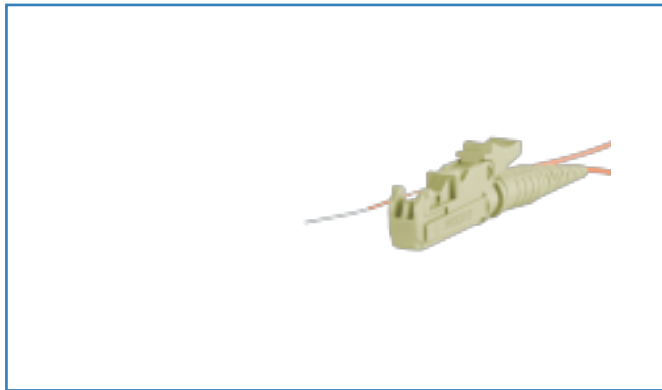
OpDAT pigtail E2000-PC, OM2, orange

Page 1/5

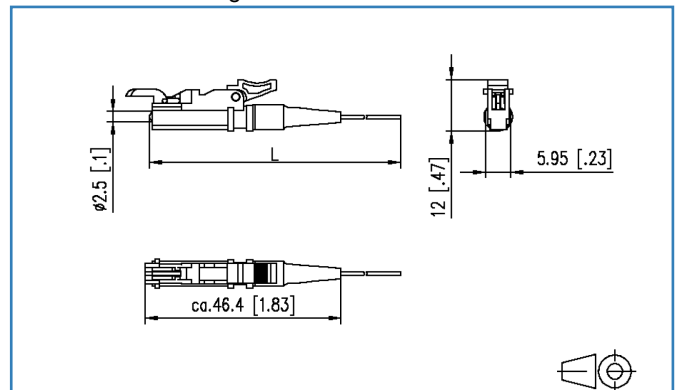
P/N
150B1MO0020S
EAN 4250184164524

2015-08-07

Illustrations



Dimensional drawing



See enlarged drawings at the end of document

Product specification

- Multimode fiber OM2, G50/125 μm according to IEC 60793-2-10 type A1a
- Compact loose tube fiber with dia. 0.9 mm, secondary and primary coating orange
- Length 2.0 m
- With plug connector mounted to one side, all types according to IEC 61754
- With test report; insertion loss and return loss tested at 100 %
- Packaging unit: 1 piece
- Variants with PC polishing: LC, SC, ST, E2000 and other types available on demand

Data sheet
OpDAT pigtail E2000-PC, OM2, orange

Technical Data

General Data

Fields of application	Office Data center
Design	pigtail
Transmission technology	Fiber optic
Color	metallike
Mode type of the fiber	Multimode
Fiber class	OM2 bend sensitive (ISO/IEC 11801/EN 50173 & IEC 60793-2-10/EN 60793-2-10 A1.a.1)
Cable Type	pigtail(s)
Number of cables/ cores	1
Shape	PC (Physical Contact)
Fiber construction	50/125 µm
Cable length (m)	2.00 m
Cable length (ft)	6.56 ft

Transmission characteristics

Reach	
Reach 100BASE	2000 m
Reach 1000BASE LX	550 m
Reach 1000BASE SX	550 m
Reach 10GBASE LX4	300 m
Reach 10GBASE SW/SR	82 m
Overfilled (OFL) modal bandwidth at 850 nm (min.)	500 MHz * km
Overfilled (OFL) modal bandwidth at 1300 nm (min.)	500 MHz * km

Connections/interfaces

Connector technology interface 1	Free line end
Connector technology interface 2	E2000
Primary coating diameter	0.25 mm
Primary coating diameter	0.01 in.
Secondary coating diameter	0.90 mm
Secondary coating diameter	0.04 in.
Ferrule diameter	2.50 mm
Ferrule diameter	0.10 in.

Technical Data

Electrical characteristics

Insertion loss	max. 0.5 dB
Return loss	min. 20 dB

Mechanical characteristics

Cut-out interface 2	SC, LC-D, E2000
Insertion and withdrawal force	min. 5 N
Minimum bending radius	15.00 mm
Minimum bending radius	0.59 in.

Environmental conditions

Temperature (min. - max.)	
Temperature - Storage °C	-20 - 60 °C
Temperature - Storage °F	-4 - 140 °F
Temperature - Operating °C	-20 - 60 °C
Temperature - Operating °F	-4 - 140 °F

Approvals

RoHS	compliant
------	-----------

The product meets the following standards

Fibre optic connector interfaces	IEC 61754-15
Optical fibers: Product specifications	
Sectional specification for category A1 multimode fibres	ISO/IEC 60793-2-10 (A1a.1)
Optical fibers - Interconnecting devices and passive components - basic test and measuring methods	
Fibre optic interconnecting devices and passive components	ISO/IEC 61300-3-6 ISO/IEC 61300-3-34
TIA/ANSI-492	AAAB

Classifications

ETIM 5.0	EC000748
----------	----------



Technical Data

Packing details

Type of packaging	1 pc(s) / plastic bag
Packaging unit - Weight (gram)	968.00 g
Packaging unit - Weight (pound)	2.13 lb



Data sheet
OpDAT pigtail E2000-PC, OM2, orange

Illustrations

Dimensional drawing

