

## Data sheet

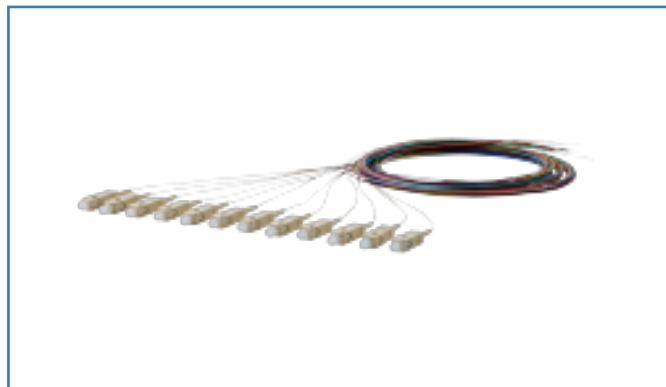
### OpDAT pigtail SC-PC, OM2, 12 colors

Page 1/6

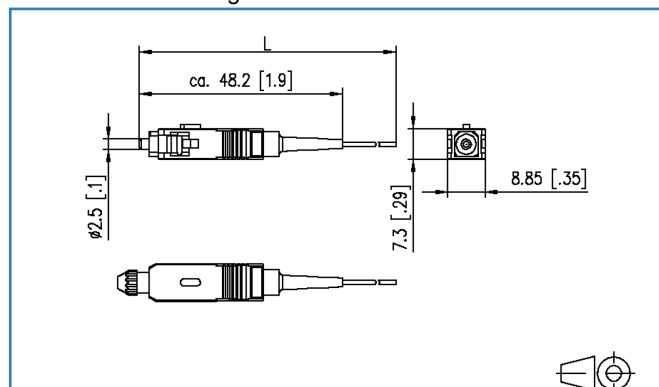
P/N  
150B1CO0020E  
EAN 4250184109808

2015-08-07

## Illustrations



Dimensional drawing



See enlarged drawings at the end of document

## Product specification

- Multi mode fiber OM2, G50/125  $\mu\text{m}$  according to IEC 60793-2-10 type A1a
- Semi-tight buffered fiber dia. 0.9 mm, 12 colors, secondary and primary coating in the same color
- Length 2.0 m
- With plug connector mounted to one side, all types according to IEC 61754
- With test report; insertion loss and return loss tested at 100 %
- Packing unit: 12 pieces
- Order quantity refers to 1 piece and has always to be a multiple of 12
- Example: 24x 150B1CO0020E = 2 packing units with 12 pieces each
- Variants with PC polishing: LC, SC, ST, E2000 and other types available on demand

## Technical Data

### General Data

Fields of application	Office Data center
Design	pigtail
Transmission technology	Fiber optic
Color	beige
Mode type of the fiber	Multimode
Fiber class	OM2 bend sensitive (ISO/IEC 11801/EN 50173 & IEC 60793-2-10/EN 60793-2-10 A1.a.1)
Cable Type	pigtail(s)
Number of cables/ cores	1
Shape	PC (Physical Contact)
Fiber construction	50/125 µm
Cable length (m)	2.00 m
Cable length (ft)	6.56 ft

### Transmission characteristics

Reach	
Reach 100BASE	2000 m
Reach 1000BASE LX	550 m
Reach 1000BASE SX	550 m
Reach 10GBASE LX4	300 m
Reach 10GBASE SW/SR	82 m
Overfilled (OFL) modal bandwidth at 850 nm (min.)	500 MHz * km
Overfilled (OFL) modal bandwidth at 1300 nm (min.)	500 MHz * km

### Connections/interfaces

Connector technology interface 1	Free line end
Connector technology interface 2	SC
Primary coating diameter	0.25 mm
Primary coating diameter	0.01 in.
Secondary coating diameter	0.90 mm
Secondary coating diameter	0.04 in.
Ferrule diameter	2.50 mm
Ferrule diameter	0.10 in.

**Data sheet**  
**OpDAT pigtail SC-PC, OM2, 12 colors**

Page 3/6

P/N  
**150B1CO0020E**  
**EAN 4250184109808**

2015-08-07

**Technical Data**

**Electrical characteristics**

Insertion loss	max. 0.5 dB
Return loss	min. 20 dB

**Mechanical characteristics**

Cut-out interface 2	SC, LC-D, E2000
Insertion and withdrawal force	min. 5 N
Minimum bending radius	15.00 mm
Minimum bending radius	0.59 in.

**Environmental conditions**

Temperature (min. - max.)	
Temperature - Storage °C	-20 - 60 °C
Temperature - Storage °F	-4 - 140 °F
Temperature - Operating °C	-20 - 60 °C
Temperature - Operating °F	-4 - 140 °F

**Approvals**

RoHS	compliant
------	-----------

**The product meets the following standards**

Fibre optic connector interfaces	IEC 61754-4
FOCIS - Fiber Optic Connector Intermateability Standard	TIA/EIA-604-3
Optical fibers: Product specifications	
Sectional specification for category A1 multimode fibres	ISO/IEC 60793-2-10 (A1a.1)
Optical fibers - Interconnecting devices and passive components - basic test and measuring methods	
Fibre optic interconnecting devices and passive components	ISO/IEC 61300-3-6   ISO/IEC 61300-3-34
Standard colours for insulation for low-frequency cables & wires	IEC 60304
TIA/ANSI-492	AAAB

Data sheet

Page 4/6

**OpDAT pigtail SC-PC, OM2, 12 colors**

P/N

150B1CO020E

EAN 4250184109808

2015-08-07

**Technical Data****Classifications**

ETIM 5.0 EC000748

**Packing details**

Type of packaging	12 pc(s) / plastic bag
Packaging unit - Weight (gram)	728.00 g
Packaging unit - Weight (pound)	1.60 lb



Data sheet  
OpDAT pigtail SC-PC, OM2, 12 colors

Page 5/6

P/N  
150B1CO0020E  
EAN 4250184109808

2015-08-07

## Accessories

P/N	Designation
15090401-I	OpDAT crimp splice protection
15090402-I	OpDAT shrink splice protection
15090401-E	OpDAT crimp splice protection

**Data sheet**  
**OpDAT pigtail SC-PC, OM2, 12 colors**

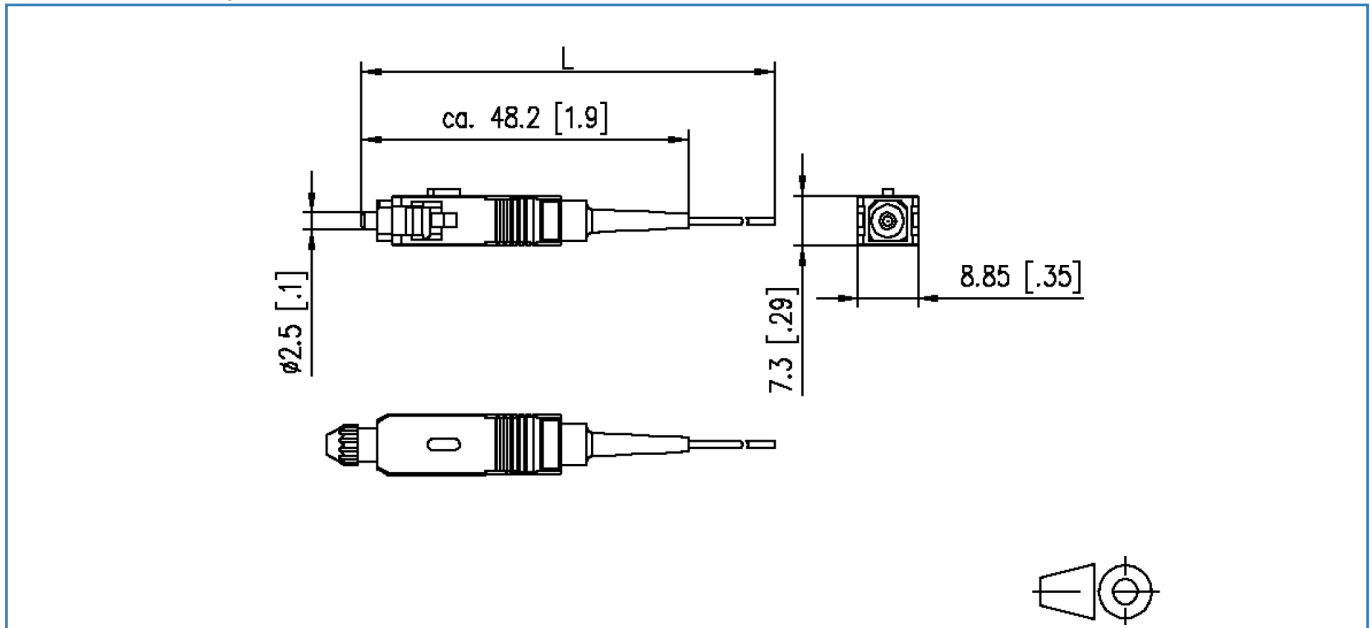
Page 6/6

P/N  
**150B1CO0020E**  
EAN 4250184109808

2015-08-07

**Illustrations**

Dimensional drawing



© 2015 METZ CONNECT - Technische Änderungen vorbehalten! Subject to modifications! Sous réserve de modifications techniques!