

Data sheet

OpDAT pigtail ST-PC, OM2, 12 colors

Page 1/6

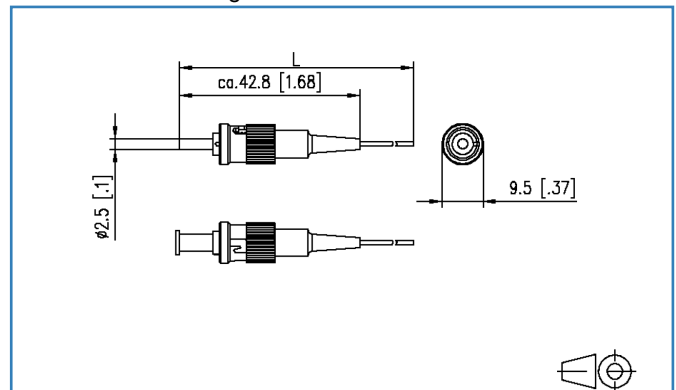
P/N
150B1AO0020E
EAN 4250184109792

2015-08-07

Illustrations



Dimensional drawing



See enlarged drawings at the end of document

Product specification

- Multi mode fiber OM2, G50/125 μm according to IEC 60793-2-10 type A1a
- Semi-tight buffered fiber dia. 0.9 mm, 12 colors, secondary and primary coating in the same color
- Length 2.0 m
- With plug connector mounted to one side, all types according to IEC 61754
- With test report; insertion loss and return loss tested at 100 %
- Packing unit: 12 pieces
- Order quantity refers to 1 piece and has always to be a multiple of 12
- Example: 24x 150B1CO0020E = 2 packing units with 12 pieces each
- Variants with PC polishing: LC, SC, ST, E2000 and other types available on demand

Data sheet
OpDAT pigtail ST-PC, OM2, 12 colors

Technical Data

General Data

Fields of application	Office Data center
Design	pigtail
Transmission technology	Fiber optic
Color	metallike
Mode type of the fiber	Multimode
Fiber class	OM2 bend sensitive (ISO/IEC 11801/EN 50173 & IEC 60793-2-10/EN 60793-2-10 A1.a.1)
Cable Type	pigtail(s)
Number of cables/ cores	1
Shape	PC (Physical Contact)
Fiber construction	50/125 µm
Cable length (m)	2.00 m
Cable length (ft)	6.56 ft

Transmission characteristics

Reach	
Reach 100BASE	2000 m
Reach 1000BASE LX	550 m
Reach 1000BASE SX	550 m
Reach 10GBASE LX4	300 m
Reach 10GBASE SW/SR	82 m
Overfilled (OFL) modal bandwidth at 850 nm (min.)	500 MHz * km
Overfilled (OFL) modal bandwidth at 1300 nm (min.)	500 MHz * km

Connections/interfaces

Connector technology interface 1	Free line end
Connector technology interface 2	ST
Primary coating diameter	0.25 mm
Primary coating diameter	0.01 in.
Secondary coating diameter	0.90 mm
Secondary coating diameter	0.04 in.
Ferrule diameter	1.25 mm
Ferrule diameter	0.05 in.

Data sheet
OpDAT pigtail ST-PC, OM2, 12 colors

Technical Data

Electrical characteristics	
Insertion loss	max. 0.5 dB
Return loss	min. 20 dB
Mechanical characteristics	
Cut-out interface 2	ST
Insertion and withdrawal force	min. 5 N
Minimum bending radius	15.00 mm
Minimum bending radius	0.59 in.
Environmental conditions	
Temperature (min. - max.)	
Temperature - Storage °C	-20 - 60 °C
Temperature - Storage °F	-4 - 140 °F
Temperature - Operating °C	-20 - 60 °C
Temperature - Operating °F	-4 - 140 °F
Approvals	
RoHS	compliant
The product meets the following standards	
Fibre optic connector interfaces	IEC 61754-2
Optical fibers: Product specifications	
Sectional specification for category A1 multimode fibres	ISO/IEC 60793-2-10 (A1a.1)
Optical fibers - Interconnecting devices and passive components - basic test and measuring methods	
Fibre optic interconnecting devices and passive components	ISO/IEC 61300-3-6 ISO/IEC 61300-3-34
Standard colours for insulation for low-frequency cables & wires	IEC 60304
TIA/ANSI-492	AAAB
Classifications	
ETIM 5.0	EC000748

Technical Data

Packing details

Type of packaging	12 pc(s) / plastic bag
Packaging unit - Weight (gram)	968.00 g
Packaging unit - Weight (pound)	2.13 lb



Accessories

P/N	Designation
15090401-I	OpDAT crimp splice protection
15090402-I	OpDAT shrink splice protection
15090401-E	OpDAT crimp splice protection



Data sheet
OpDAT pigtail ST-PC, OM2, 12 colors

Page 6/6

P/N
150B1AO0020E
EAN 4250184109792

2015-08-07

Illustrations

Dimensional drawing

