

Data sheet

OpDAT modul LC (ceramic) MM heather violet

Page 1/4

P/N
15091075-I

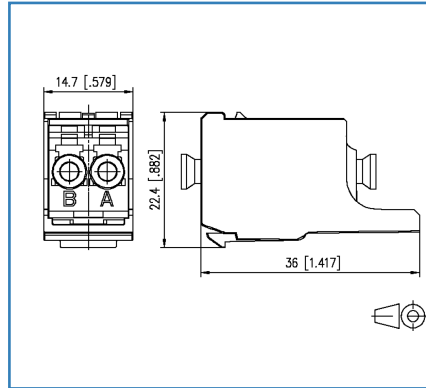
EAN 4250184146933

2015-19-06

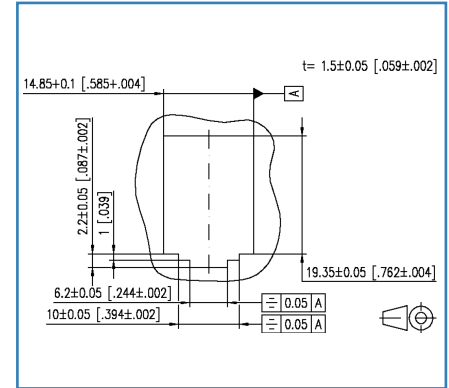
Illustrations



Dimensional drawing



Cut-out



See enlarged drawings at the end of document

Product specification

- LC duplex couplers with adapter, fits Modul applications
- slotted ceramic sleeve for single mode applications
- slotted metal or ceramic sleeve (Ph-Br) for multi mode applications
- perfect for "fiber to the desk" solutions
- service life min. 1000 mating cycles with slotted ceramic sleeve
- service life min. 500 mating cycles with slotted metal sleeve (PhBr)
- variants: blue (SM), green (SM APC), heather violet (OM4), aqua (OM3), beige (OM2)

OpDAT modul LC (ceramic) MM heather violet

P/N

15091075-I

EAN 4250184146933

2015-19-06

Technical Data

General Data

Fields of application	Fiber to the Desk
Design	Adapter
Transmission technology	Fiber optic
Color	heather violet
Dimensions	
Dimension (L x W x H)	36.00 x 14.70 x 22.40 mm
Dimension (L x W x H)	1.42 x 0.58 x 0.88 in.
Modularity	yes
Mode type of the fiber	Multimode
Labeling option	on housing

Connections/interfaces

Connector technology interface 1	LC-D
Connector technology interface 2	LC-D
Number of ports interface 1	1
Number of ports interface 2	1
Number of equipped ports interface 1	1
Number of ports interface 2 equipped	1
Number of ports with dust protection interface 1	1
Number of ports with dust protection interface 2	1

Mechanical characteristics

Cut-out	SC, LC-D, E2000
Connector type	Duplex
Mounting method	snap-in function
Life - Number of mating cycles	min. 1000
Position/mounting of latch - standard installation position	top

Materials and material properties

Material - Housing	Plastics
Material - Sleeve	ceramic, slotted



OpDAT modul LC (ceramic) MM heather violet

P/N

15091075-I

EAN 4250184146933

2015-19-06

Technical Data

Certifications

Gost Certification yes

Approvals

RoHS compliant

Classifications

ETIM 5.0 EC000766

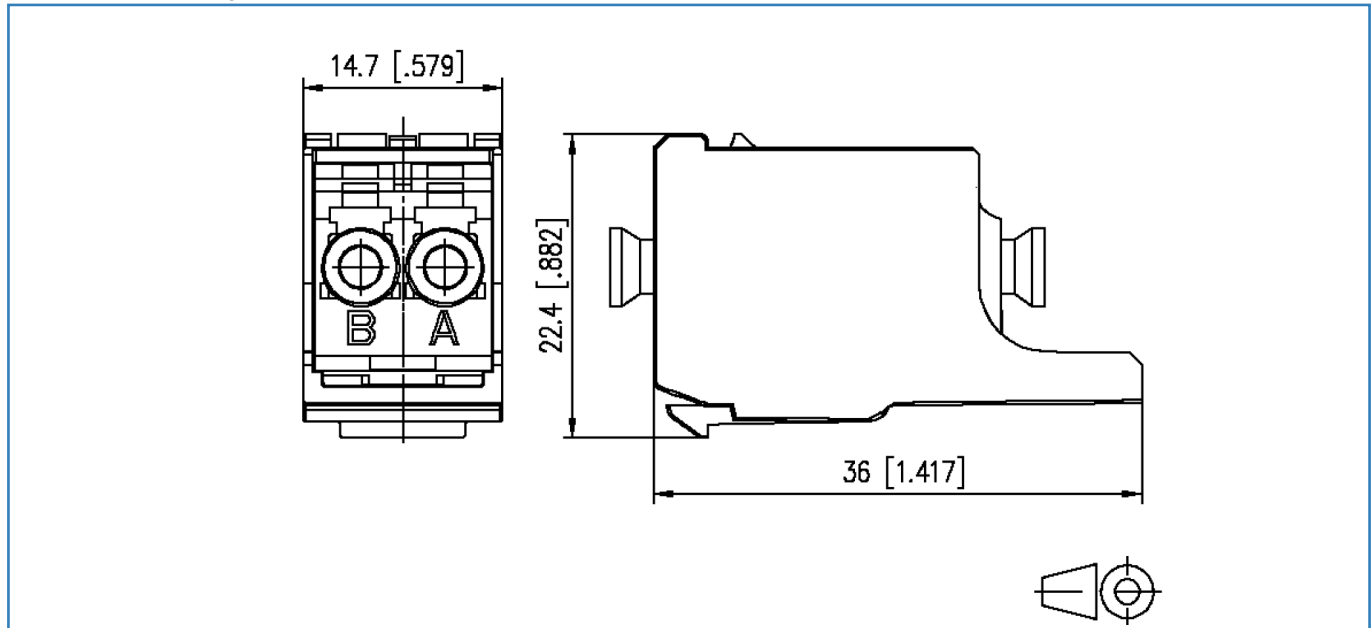
Packing details

Type of packaging	10 pc(s) / box
Packaging unit - Weight (gram)	233.00 g
Packaging unit - Weight (pound)	0.51 lb
Packaging dimension (D x W x H)	58.00 x 247.00 x 161.00 mm
Packaging dimension (D x W x H)	2.28 x 9.72 x 6.34 in.

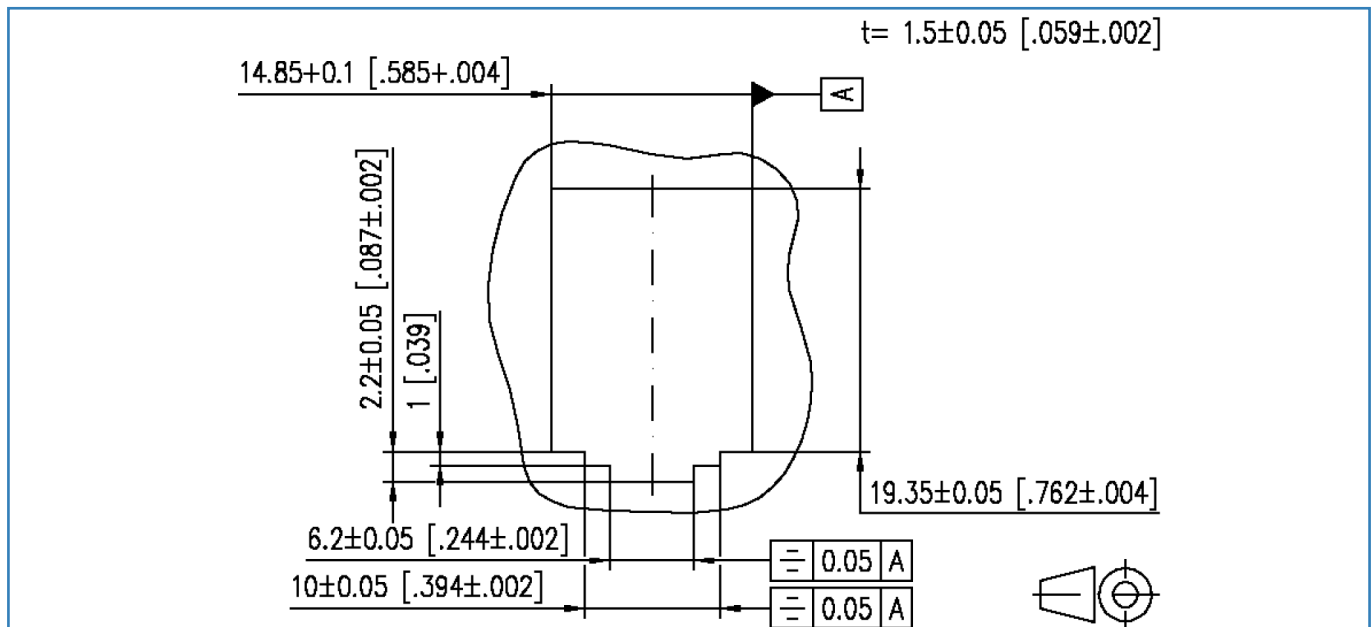


Illustrations

Dimensional drawing



Cut-out



© 2015 METZ CONNECT - Technische Änderungen vorbehalten! Subject to modifications! Sous réserve de modifications techniques!