

Data sheet

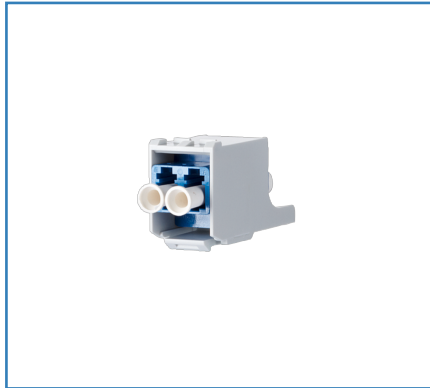
OpDAT modul LC (ceramic) SM blue

P/N
15091071-I

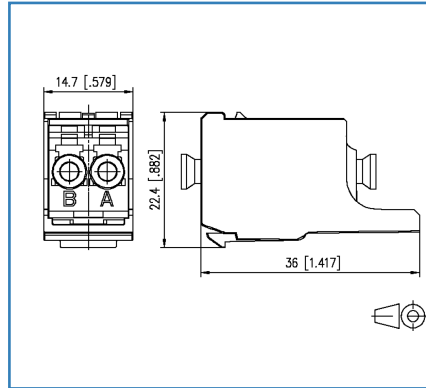
EAN 4250184109778

2015-19-06

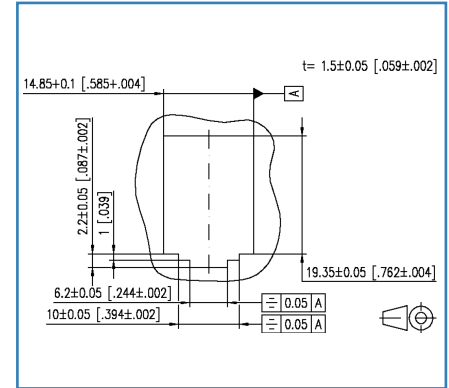
Illustrations



Dimensional drawing



Cut-out



See enlarged drawings at the end of document

Product specification

- LC duplex couplers with adapter, fits Modul applications
- slotted ceramic sleeve for single mode applications
- slotted metal or ceramic sleeve (Ph-Br) for multi mode applications
- perfect for "fiber to the desk" solutions
- service life min. 1000 mating cycles with slotted ceramic sleeve
- service life min. 500 mating cycles with slotted metal sleeve (PhBr)
- variants: blue (SM), green (SM APC), heather violet (OM4), aqua (OM3), beige (OM2)

Data sheet
OpDAT modul LC (ceramic) SM blue

Technical Data

General Data

Fields of application	Fiber to the Desk
Design	Adapter
Transmission technology	Fiber optic
Color	blue
Dimensions	
Dimension (L x W x H)	36.00 x 14.70 x 22.40 mm
Dimension (L x W x H)	1.42 x 0.58 x 0.88 in.
Modularity	yes
Mode type of the fiber	Single mode
Labeling option	on housing

Connections/interfaces

Connector technology interface 1	LC-D
Connector technology interface 2	LC-D
Number of ports interface 1	1
Number of ports interface 2	1
Number of equipped ports interface 1	1
Number of ports interface 2 equipped	1
Number of ports with dust protection interface 1	1
Number of ports with dust protection interface 2	1

Mechanical characteristics

Cut-out	SC, LC-D, E2000
Connector type	Duplex
Mounting method	snap-in function
Life - Number of mating cycles	min. 1000
Position/mounting of latch - standard installation position	top

Materials and material properties

Material - Housing	Plastics
Material - Sleeve	ceramic, slotted



Data sheet
OpDAT modul LC (ceramic) SM blue

Page 3/4

P/N
15091071-I
EAN 4250184109778
 2015-19-06

Technical Data

Certifications

Gost Certification yes

Approvals

RoHS compliant

Classifications

ETIM 5.0 EC000766

Packing details

Type of packaging	10 pc(s) / box
Packaging unit - Weight (gram)	232.00 g
Packaging unit - Weight (pound)	0.51 lb
Packaging dimension (D x W x H)	58.00 x 247.00 x 161.00 mm
Packaging dimension (D x W x H)	2.28 x 9.72 x 6.34 in.

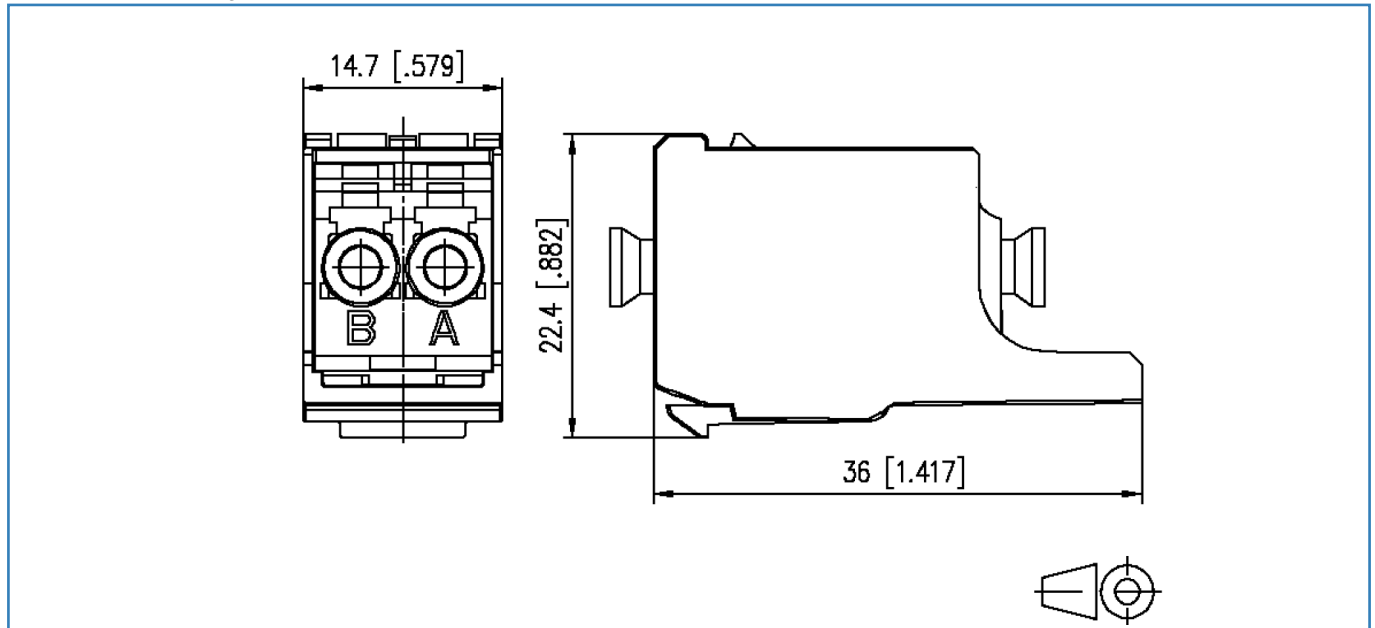
© 2015 METZ CONNECT - Technische Änderungen vorbehalten! Subject to modifications! Sous réserve de modifications techniques!



Data sheet
OpDAT modul LC (ceramic) SM blue

Illustrations

Dimensional drawing



Cut-out

