

Data sheet

OpDAT modul ST (ceramic) light gray

Page 1/4

P/N
15091001-I

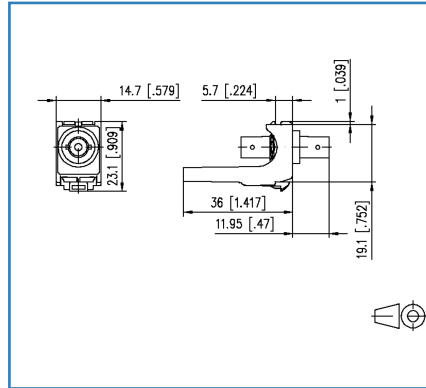
EAN 4250184109754

2015-19-06

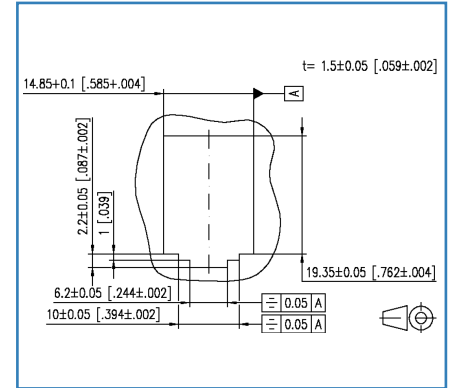
Illustrations



Dimensional drawing



Cut-out



See enlarged drawings at the end of document

Product specification

- ST coupler (ceramic) with adapter, fits Modul applications
- perfect for "fiber to the desk" solutions
- OpDAT modul ST is suited for single mode (SM) and multi mode (MM)
- service life min. 2000 mating cycles

Technical Data

General Data

Design	Adapter
Transmission technology	Fiber optic
Color	light gray
Dimensions	
Dimension (L x W x H)	36.00 x 14.70 x 23.10 mm
Dimension (L x W x H)	1.42 x 0.58 x 0.91 in.
Modularity	yes

Connections/interfaces

Connector technology interface 1	ST
Connector technology interface 2	ST
Number of ports interface 1	1
Number of ports interface 2	1
Number of equipped ports interface 1	1
Number of ports interface 2 equipped	1
Number of ports with dust protection interface 1	1
Number of ports with dust protection interface 2	1

Mechanical characteristics

Cut-out	ST
Mounting method	snap-in function
Life - Number of mating cycles	min. 1000

Materials and material properties

Material - Housing	Plastics
Material - Sleeve	ceramic, slotted

Certifications

Gost Certification	yes
--------------------	-----

Approvals

RoHS	compliant
------	-----------

Data sheet

Page 3/4

OpDAT modul ST (ceramic) light gray

P/N

15091001-I

EAN 4250184109754

2015-19-06

Technical Data**Classifications**

ETIM 5.0 EC000766

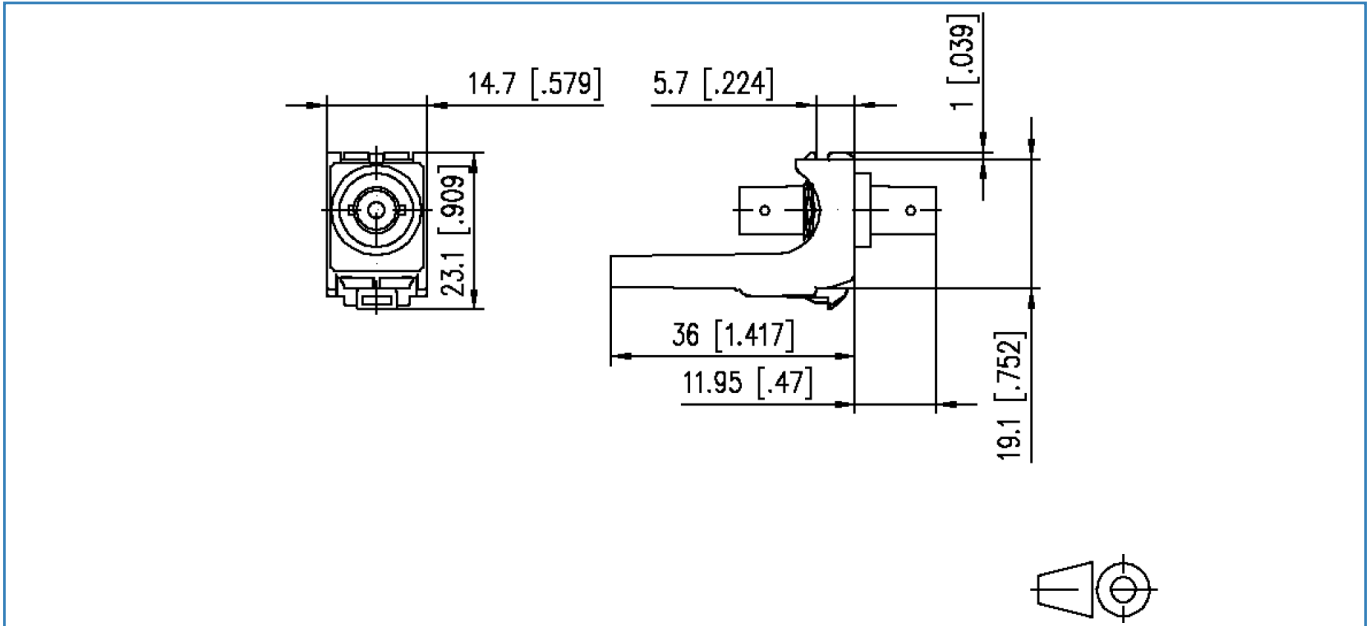
Packing details

Type of packaging	10 pc(s) / box
Packaging unit - Weight (gram)	200.00 g
Packaging unit - Weight (pound)	0.44 lb
Packaging dimension (D x W x H)	58.00 x 247.00 x 161.00 mm
Packaging dimension (D x W x H)	2.28 x 9.72 x 6.34 in.



Illustrations

Dimensional drawing



Cut-out

