

Data sheet

OpDAT REGpro splice tray with shrink splice holder

Page 1/4

P/N

15024ASK-S

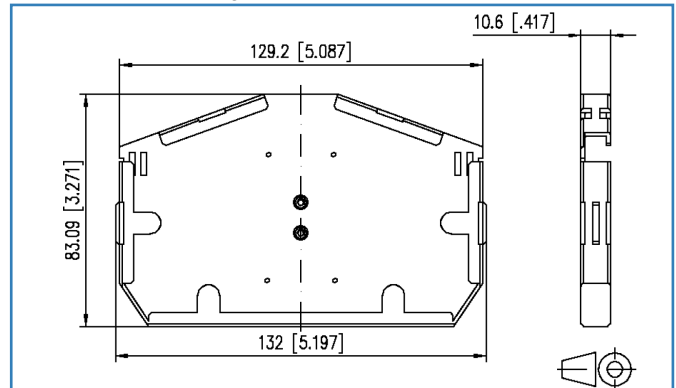
EAN 4250184149729

2015-03-07

Illustrations



Dimensional drawing



See enlarged drawings at the end of document

Product specification

- splice tray for OpDAT REGpro
- with shrink splice holder for up to 12 splices

OpDAT REGpro splice tray with shrink splice holder

P/N

15024ASK-S

EAN 4250184149729

2015-03-07

Technical Data

General Data

Fields of application	Structured building cabling, Data center
Design	Splice tray
Color	light gray
Dimensions	
Dimension (L x W x H)	132.00 x 83.09 x 10.60 mm
Dimension (L x W x H)	5.20 x 3.27 x 0.42 in.

Materials and material properties

Material - Housing	steel
--------------------	-------

Certifications

Gost Certification	yes
--------------------	-----

Approvals

RoHS	compliant
------	-----------

Classifications

ETIM 5.0	EC001130
----------	----------

Packing details

Type of packaging	1 pc(s) / box
Packaging unit - Weight (gram)	128.00 g
Packaging unit - Weight (pound)	0.28 lb



Data sheet

Page 3/4

OpDAT REGpro splice tray with shrink splice holder

P/N

15024ASK-S

EAN 4250184149729

2015-03-07

Accessories

P/N	Designation
15090301-I	OpDAT splice holder for 12 crimp splices
15090302-I	OpDAT splice holder for 6 shrink splices



Illustrations

Dimensional drawing

